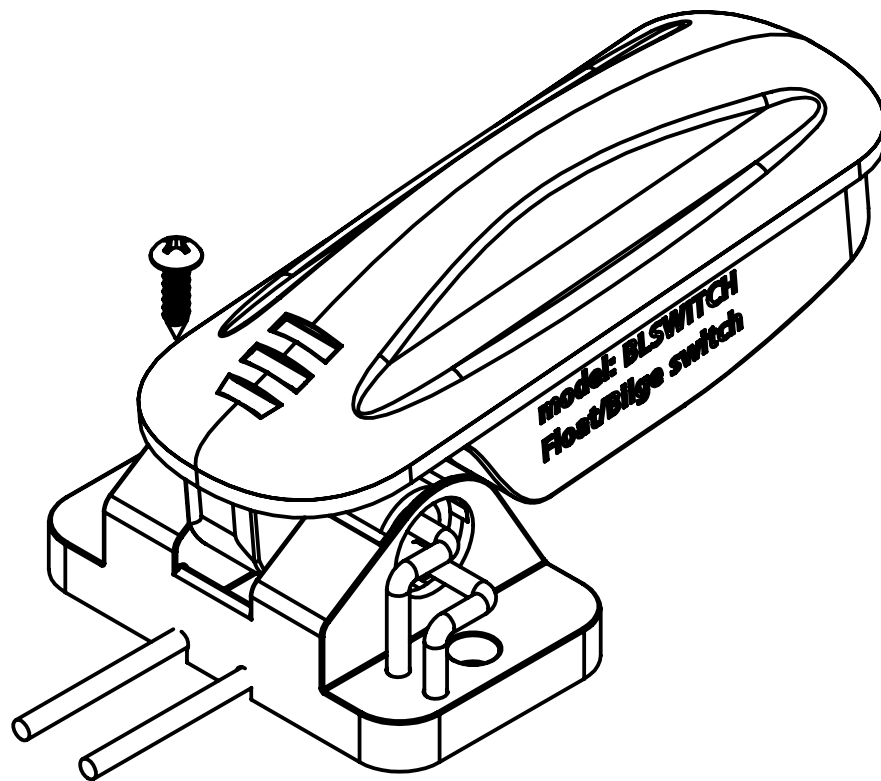


## Float/ bilge switch 12/24VDC

- SUITABLE FOR FRESH WATER AND SEA WATER;
- MICRO SWITCH OPERATED, MERCURY FREE;
- ACTIVATE PUMP: @50mm (2") WATER LEVEL;
- DE- ACTIVATE PUMP: @19mm (3/4") WATER LEVEL;
- IGNITION PROTECTED;
- PRE- DEFINED WIRE ROUTE TO PREVENT FLOAT BLOCKING;
- 
- SYNTHETIC HOUSING;
- STAINLESS STEEL FASTENERS AISI304;
- THREE YEARS WARRANTY.



| Item code: | Voltage: | Max. ampere: | Wire size:                | Wire lenght: |
|------------|----------|--------------|---------------------------|--------------|
| BLSWITCH   | 12/24VDC | 15A          | 16 AWG 1.5mm <sup>2</sup> | 1mtr.        |

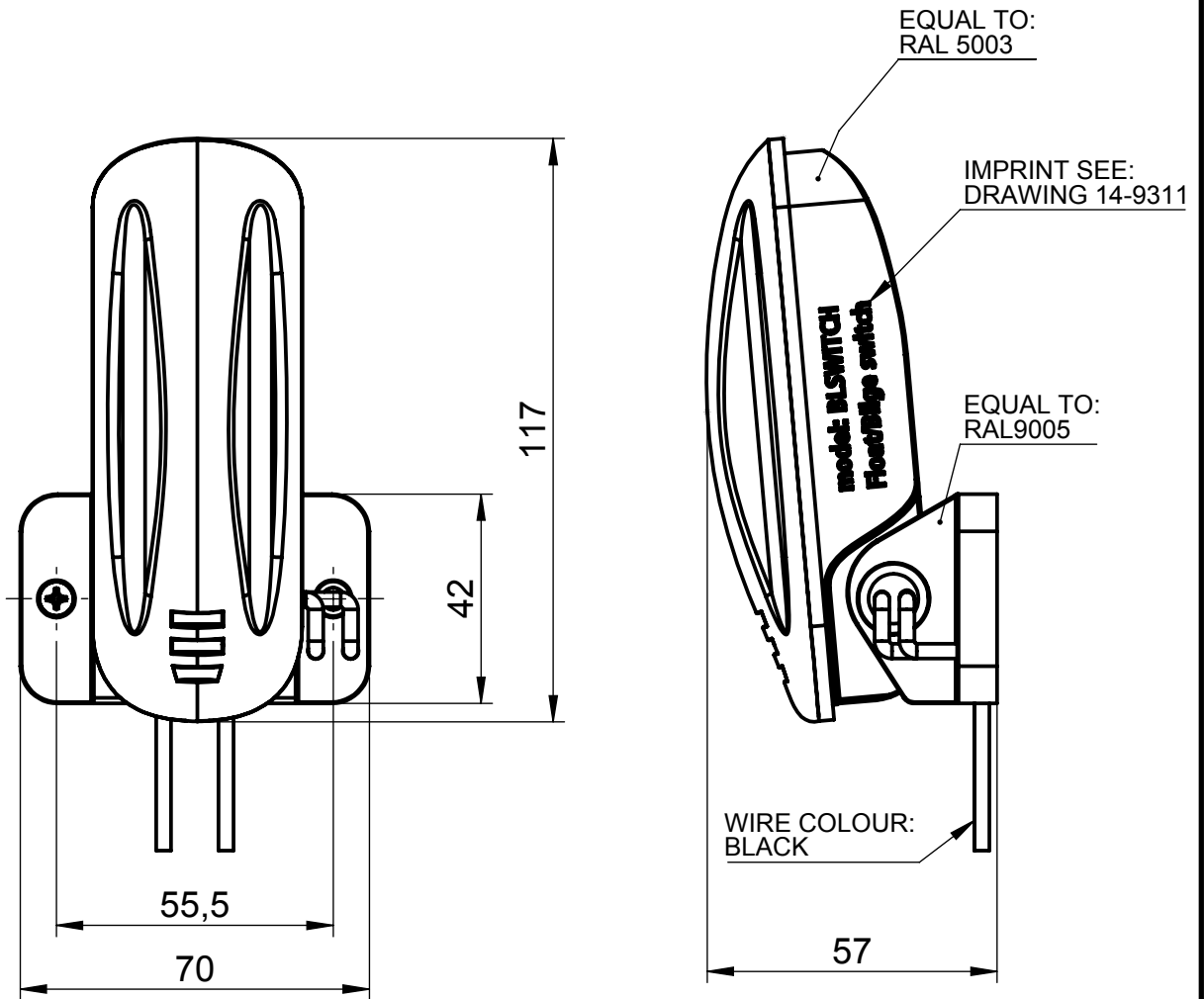


# Overall Dimensions

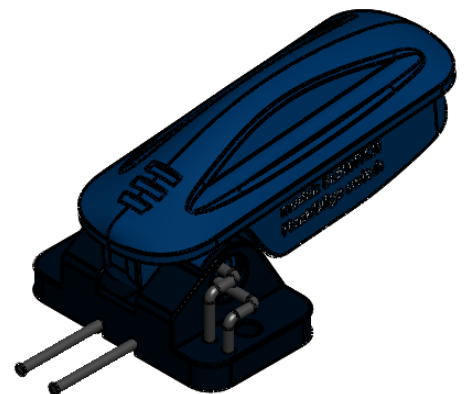
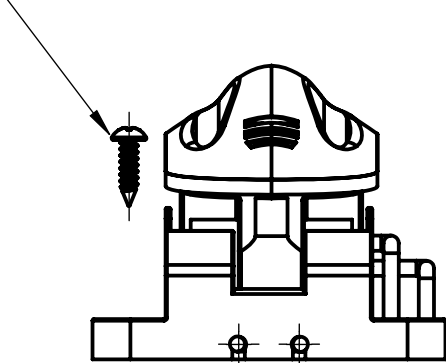
14-8846

BLSWITCH

## Float/ bilge switch 12/24VDC



STAINLESS STEEL FASTENER (2X)



• NO SPARE PARTS AVAILABLE