

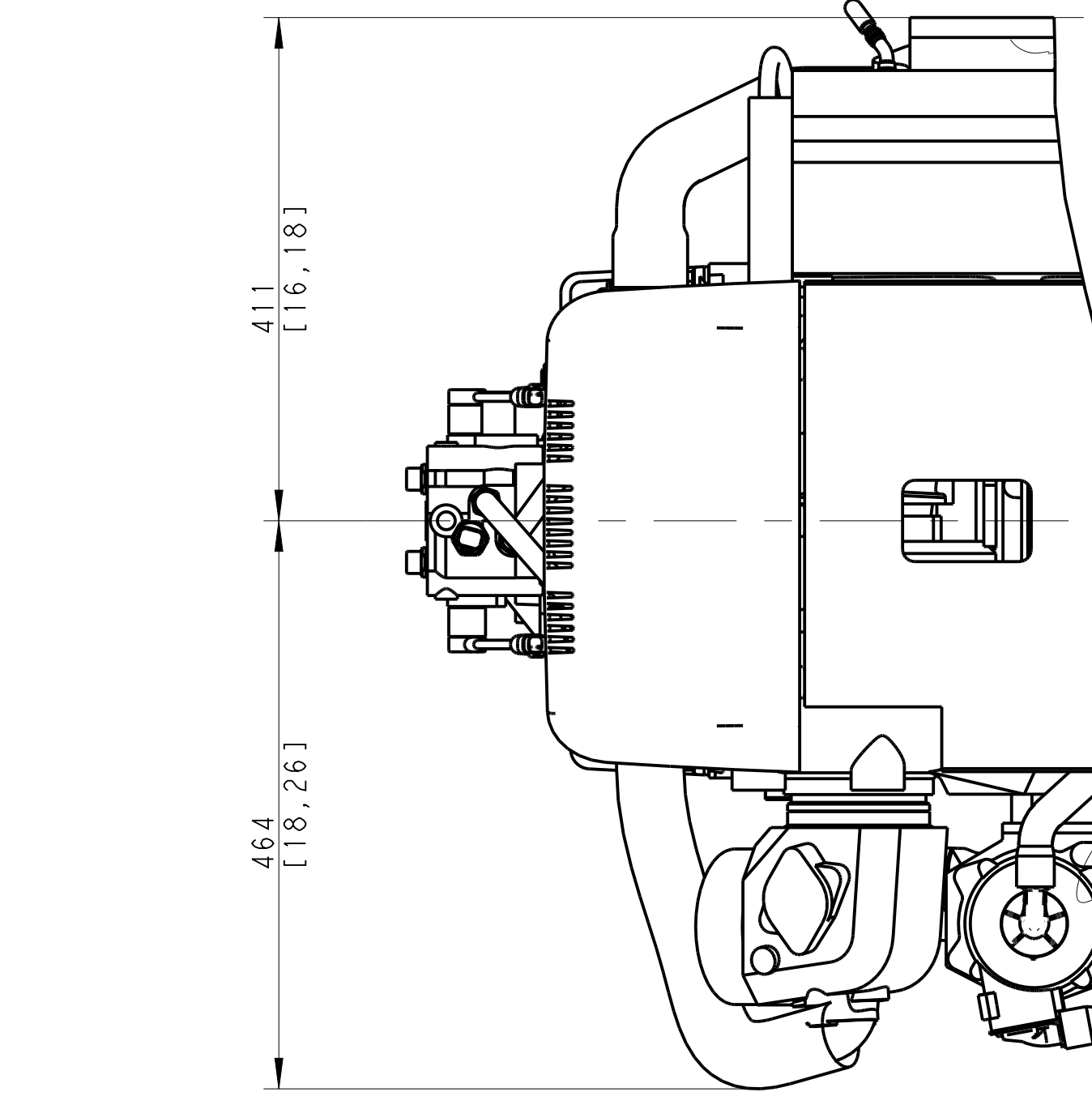
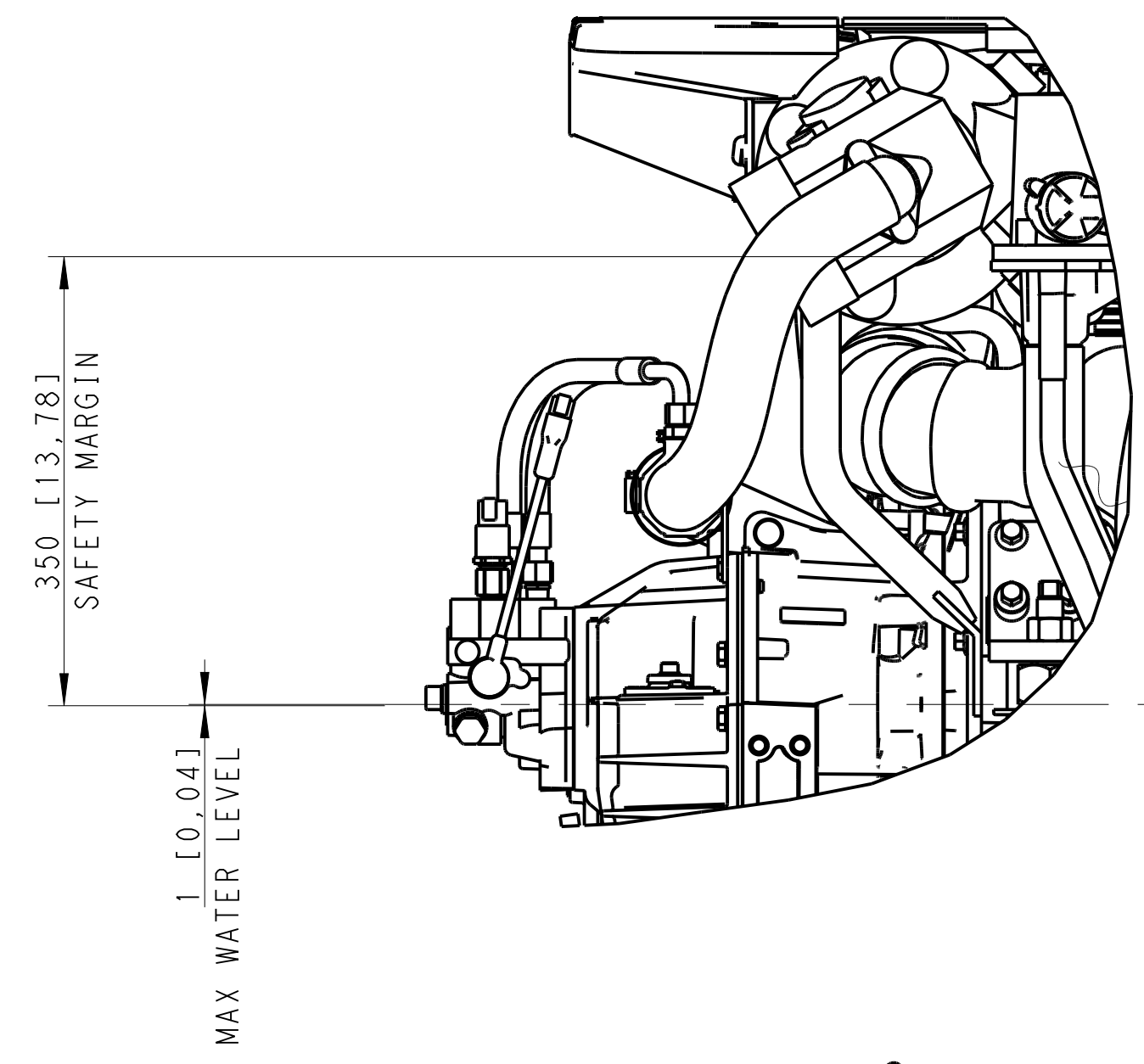
- (A) OIL FILTER (UNDER COVER)
- (B) OIL DIP-STICK

• SEE SHEET 4 FOR MORE INFORMATION
 SHOWN ON PAGE: D6-440 AND D6-480 WITH HS85A AND STD EXHAUST BEND
 FOR ENGINE RELATED INFORMATION, SEE INSTALLATION DRAWING FOR ENGINE

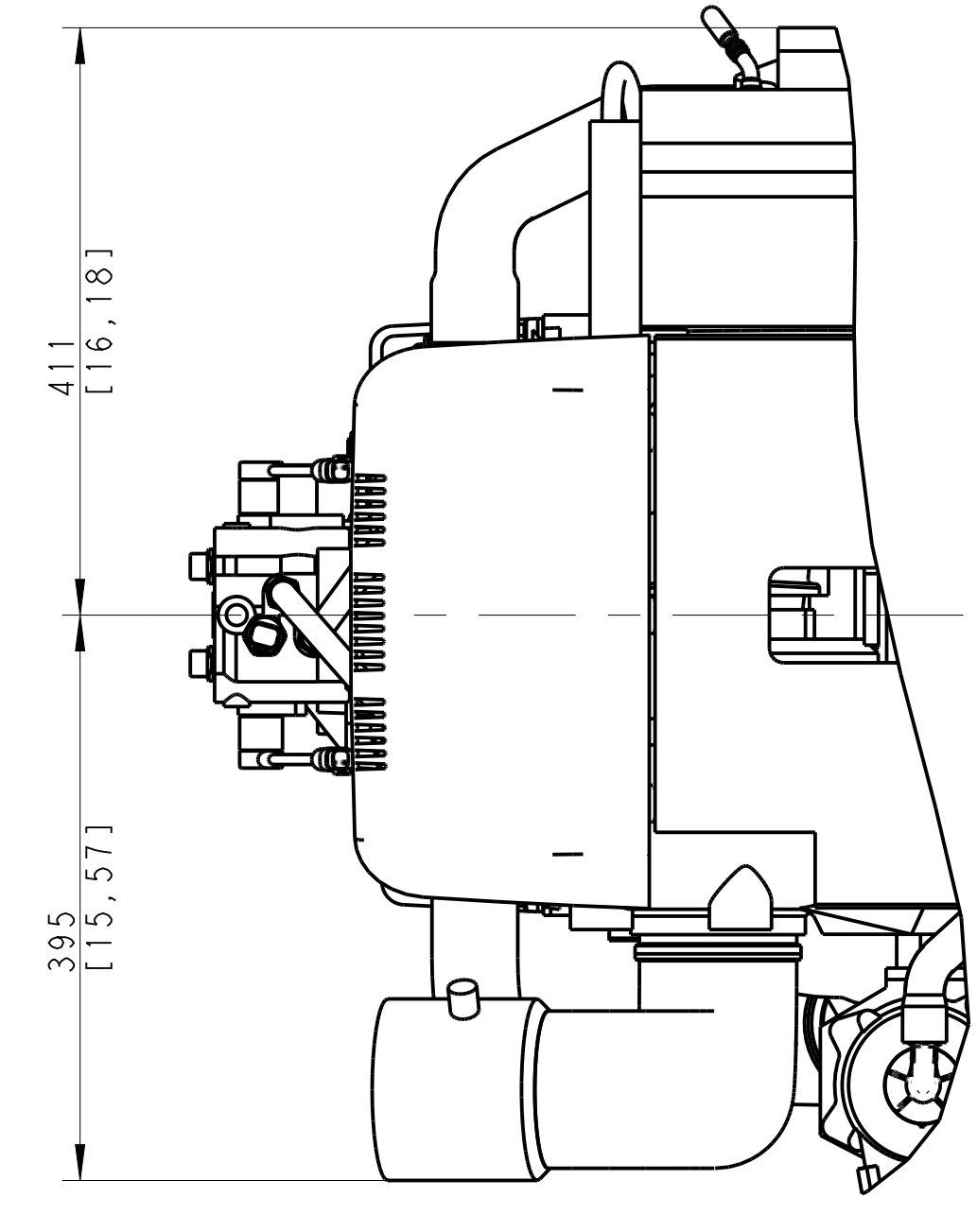
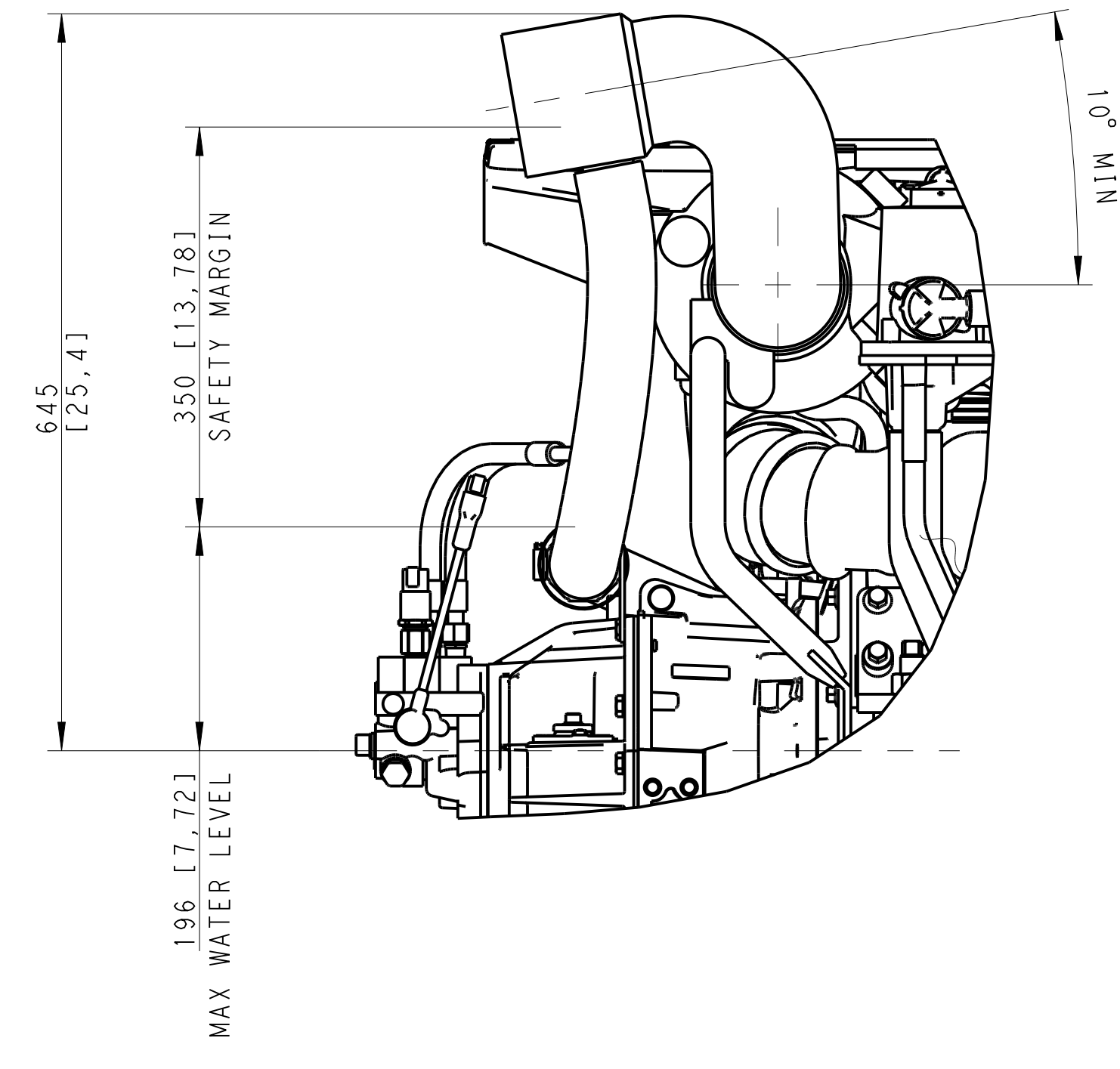
SCALE 1:5

	SYMBOLS, DESIGNATIONS AND GENERAL DRAWING METHODS STD 101-0005		
	Document title INSTALLATION DRAWING D4/D6 GEARBOXES		
	Document type INSTALLATION DRAWING		
	Document No 23292848		
	Issue index	Sheet No	
		02	1(5)

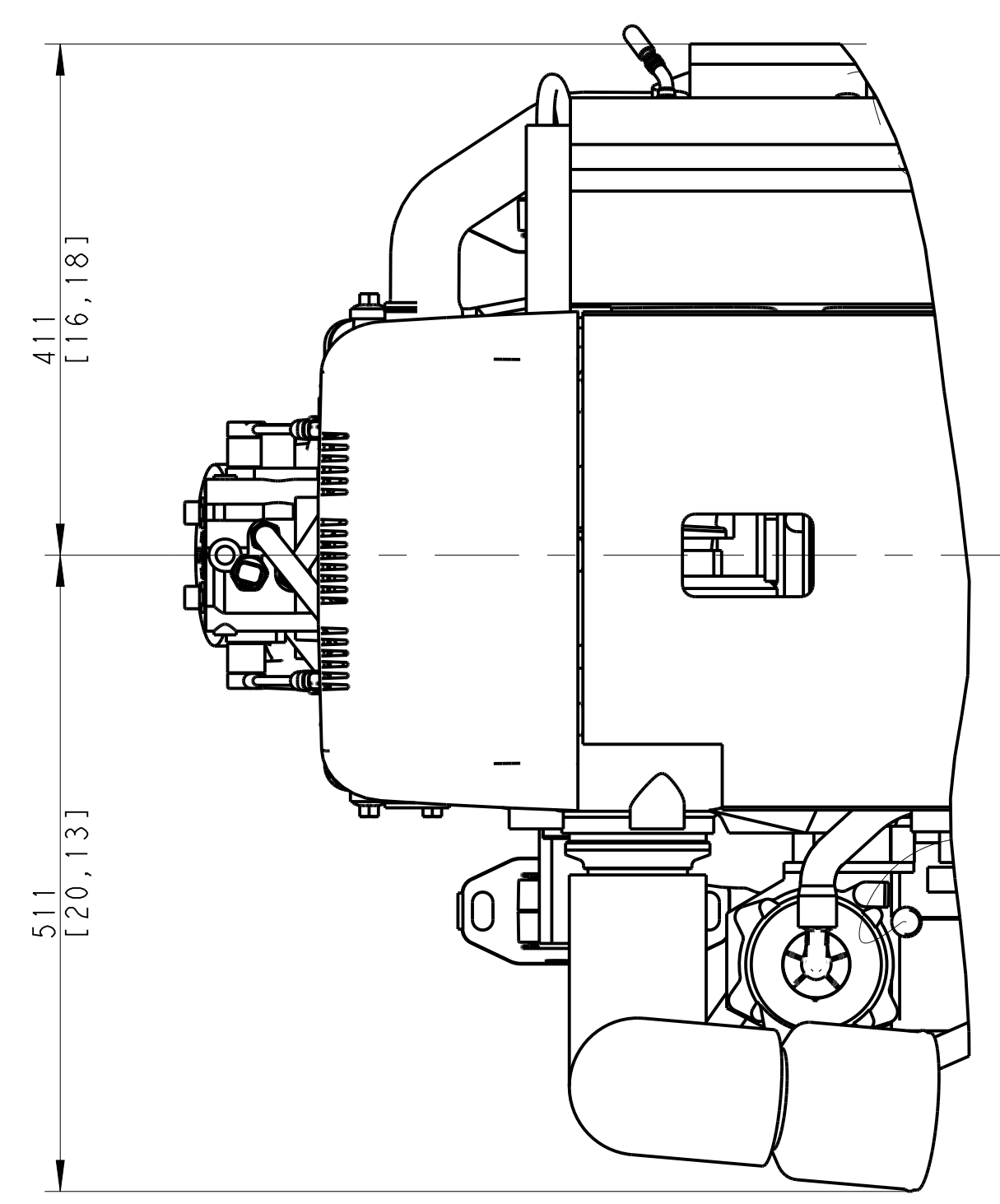
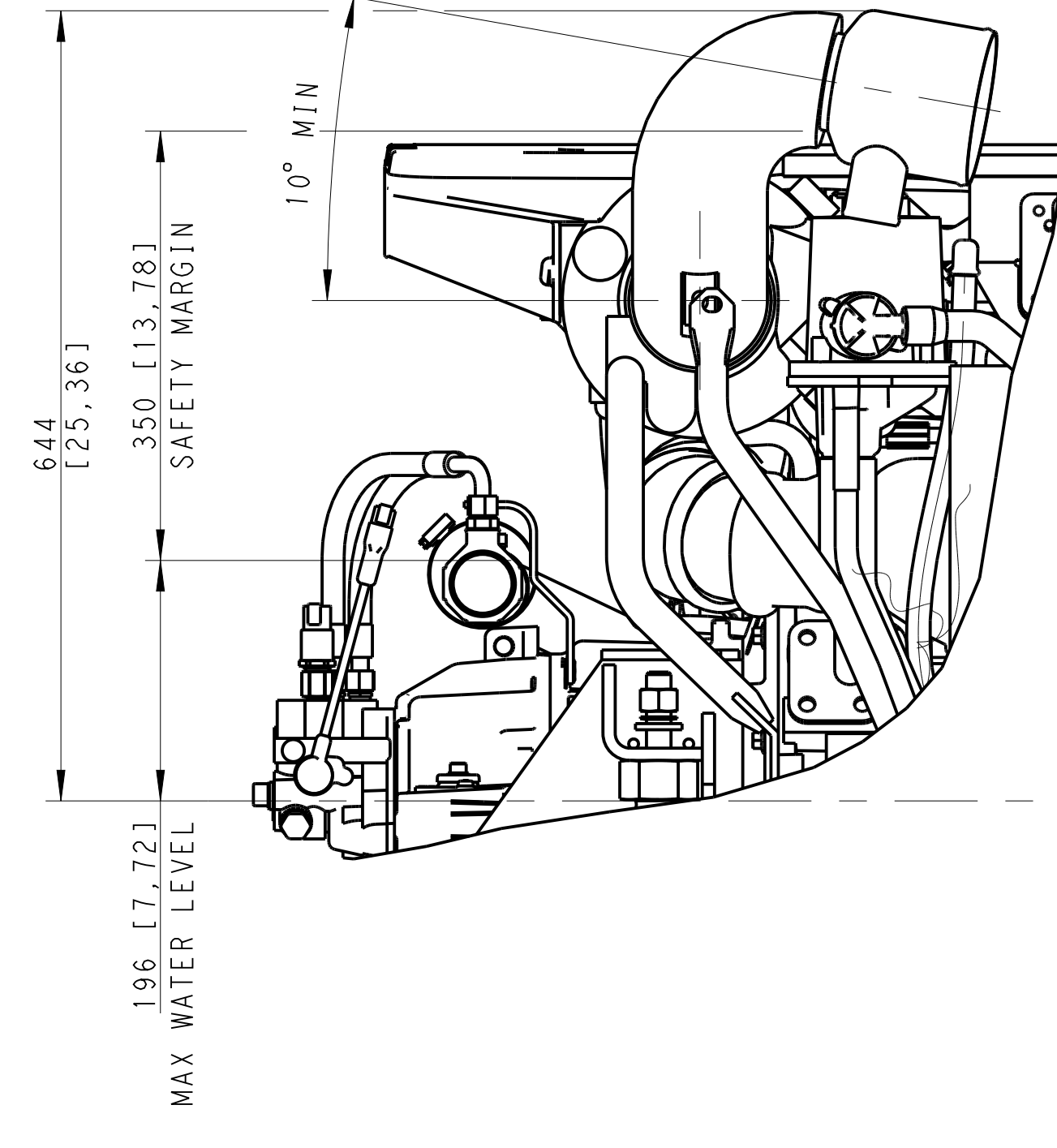
D6-440 TO D6-480
HS85A, STD EXHAUST BEND



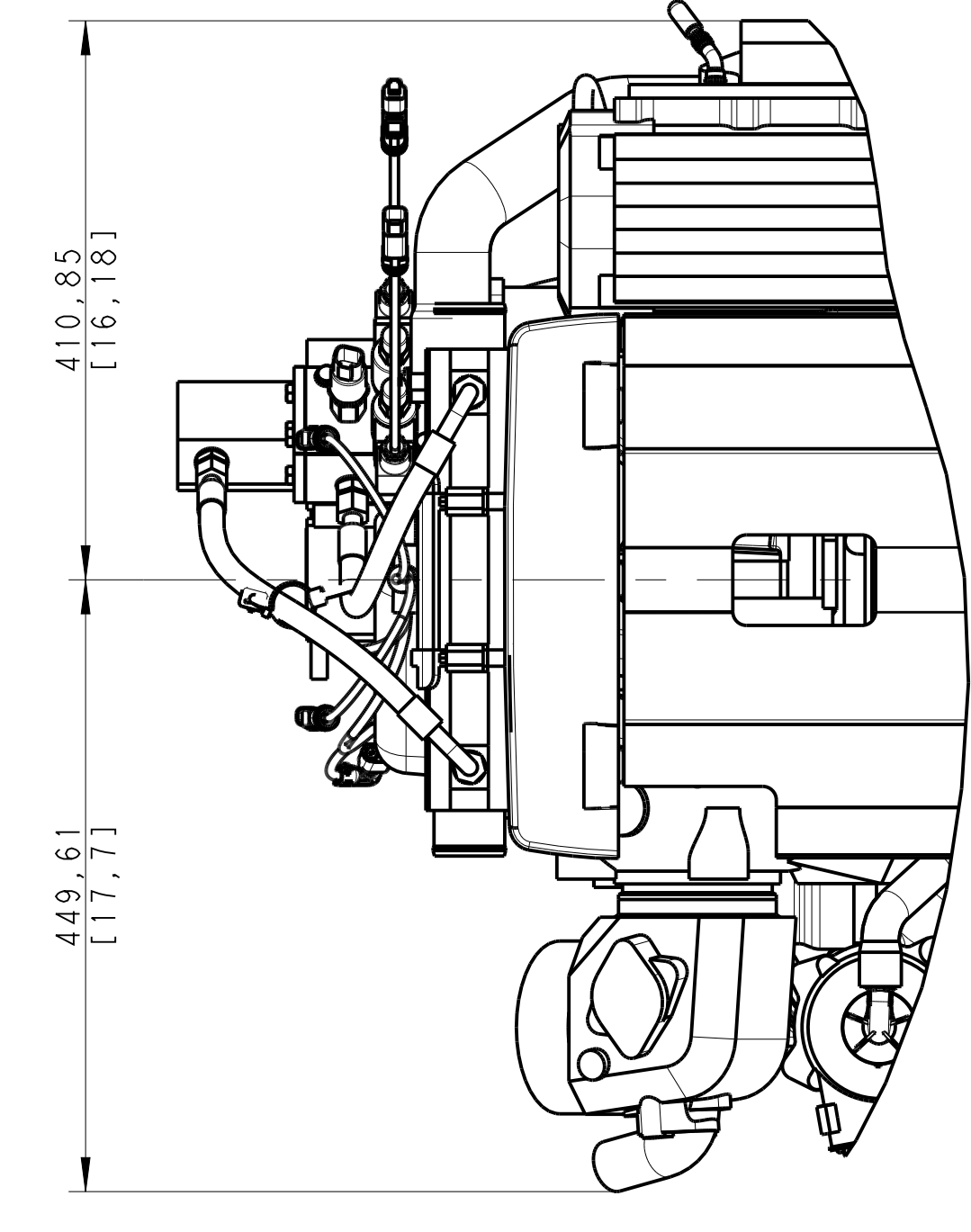
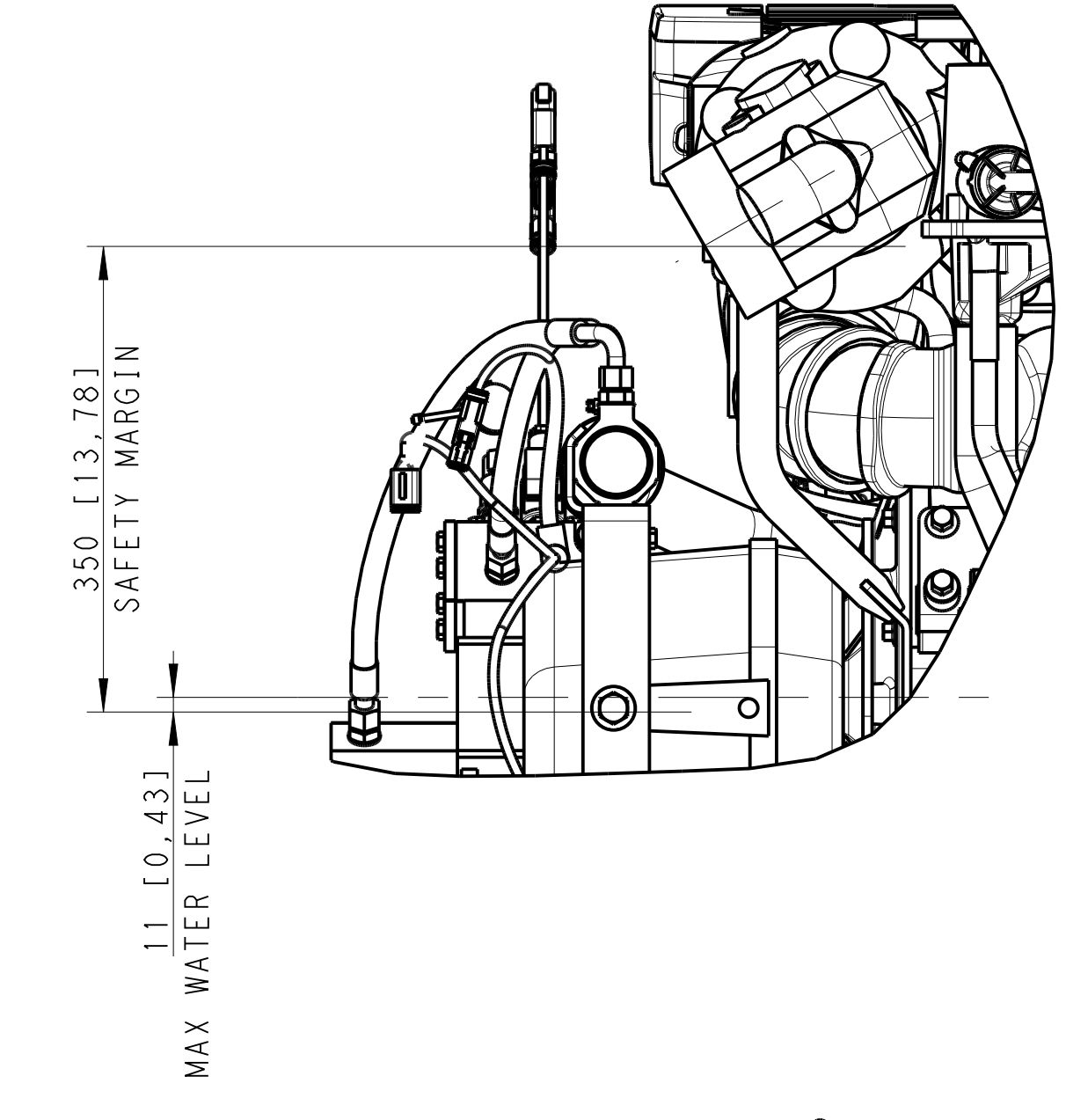
D6-440 TO D6-480
HS85A, RISER



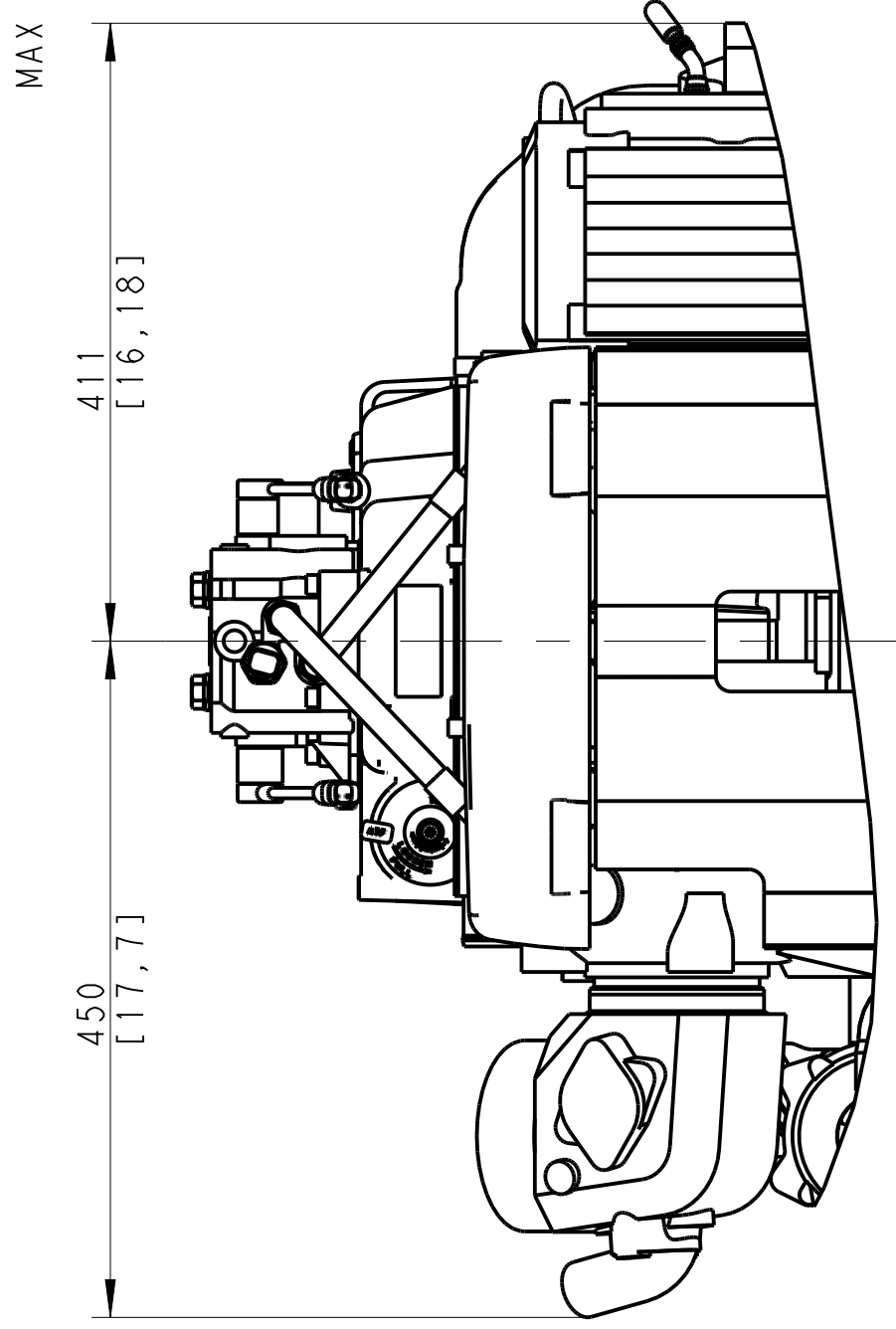
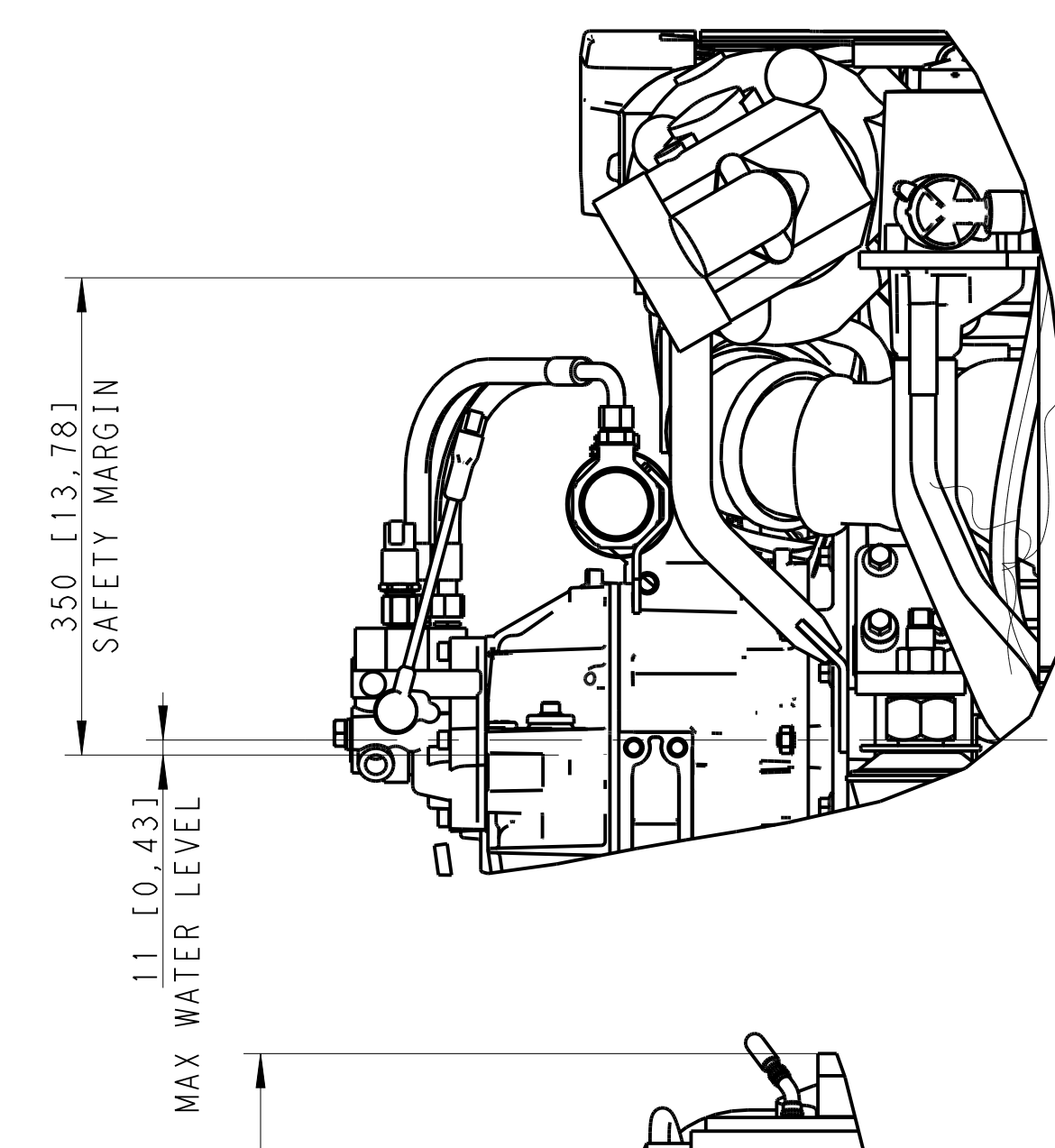
D6-440 TO D6-480
HS85IV, RISER



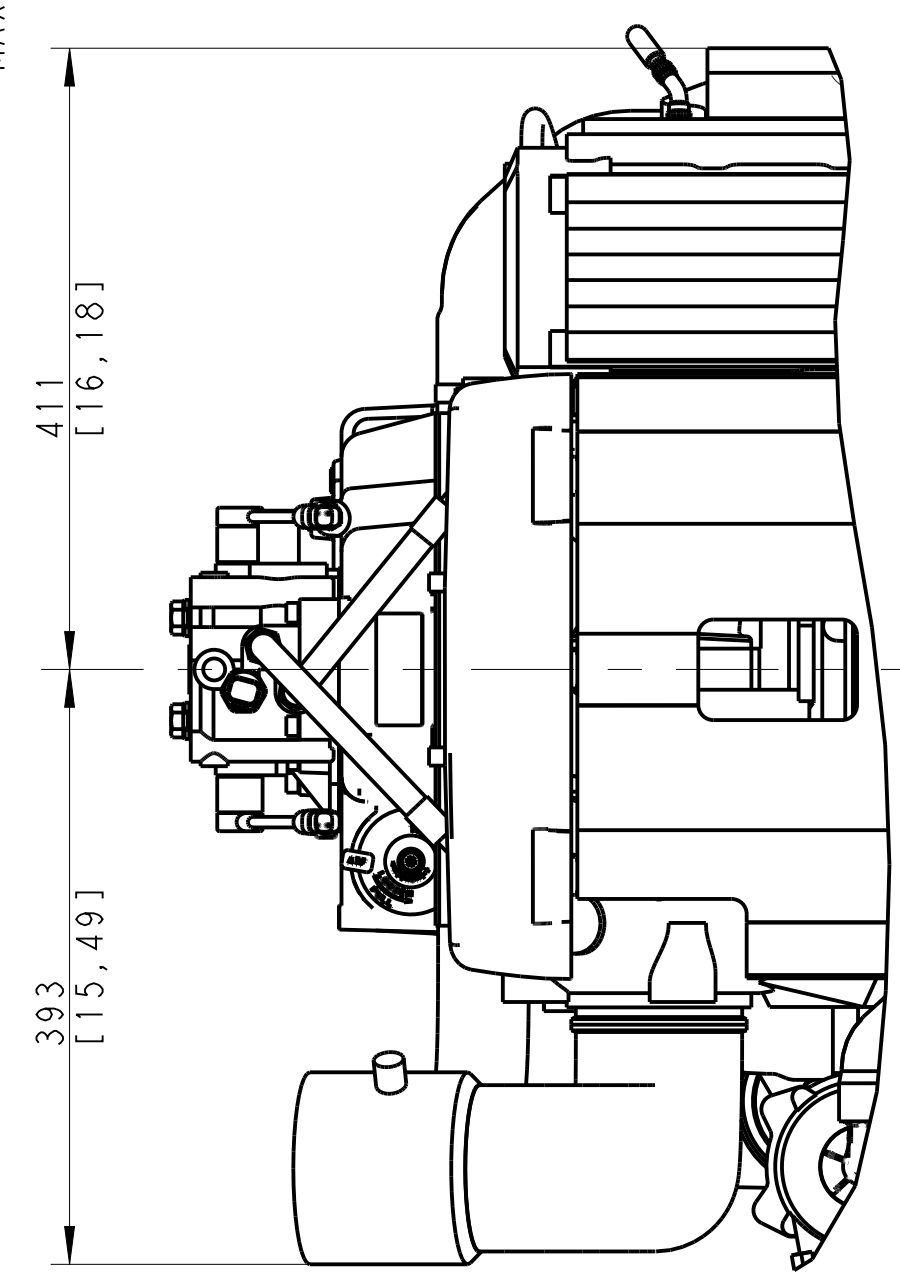
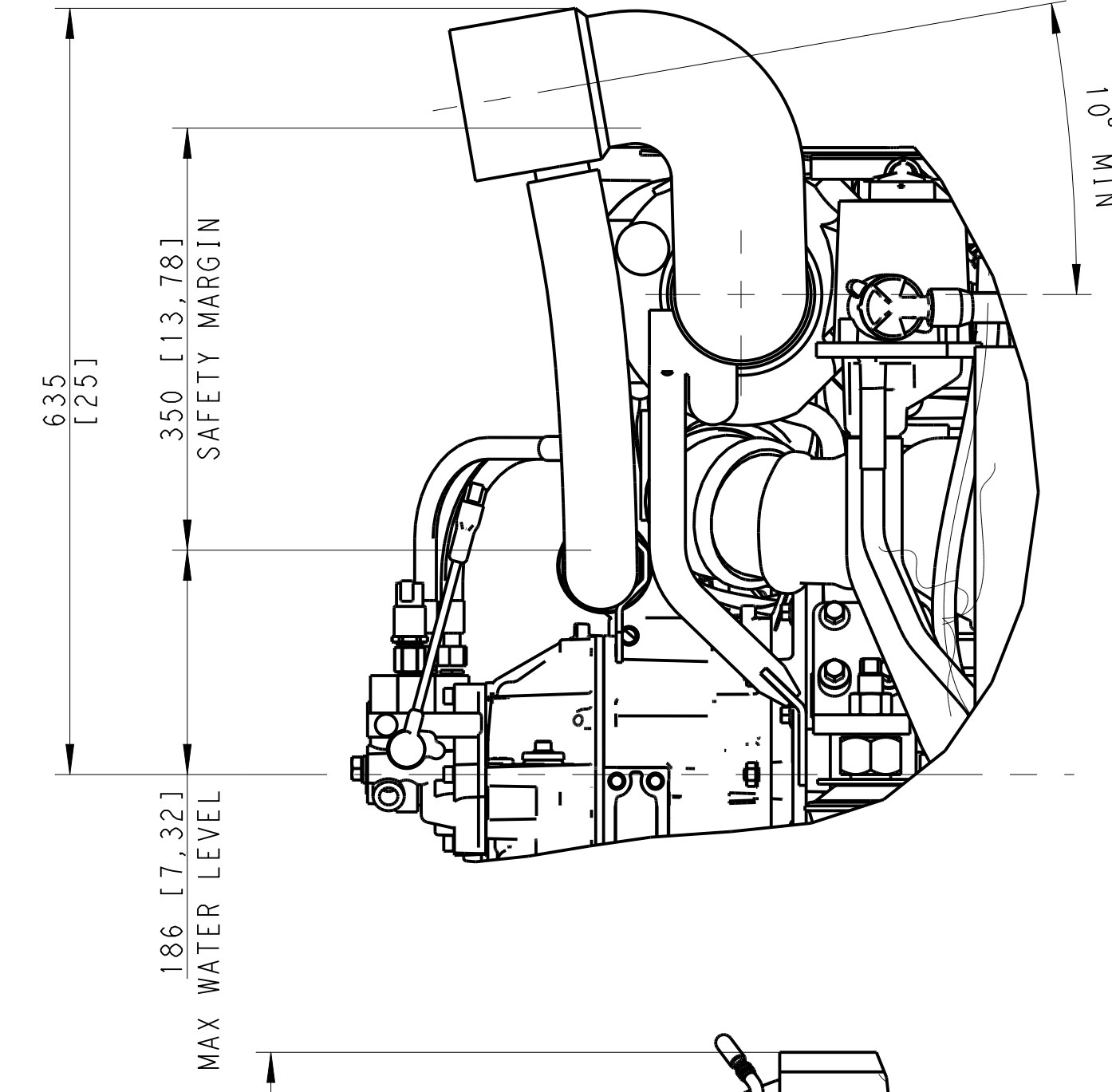
D4 AND D6 UP TO D6-380
ZF GEARBOXES, STD EXHAUST BEND



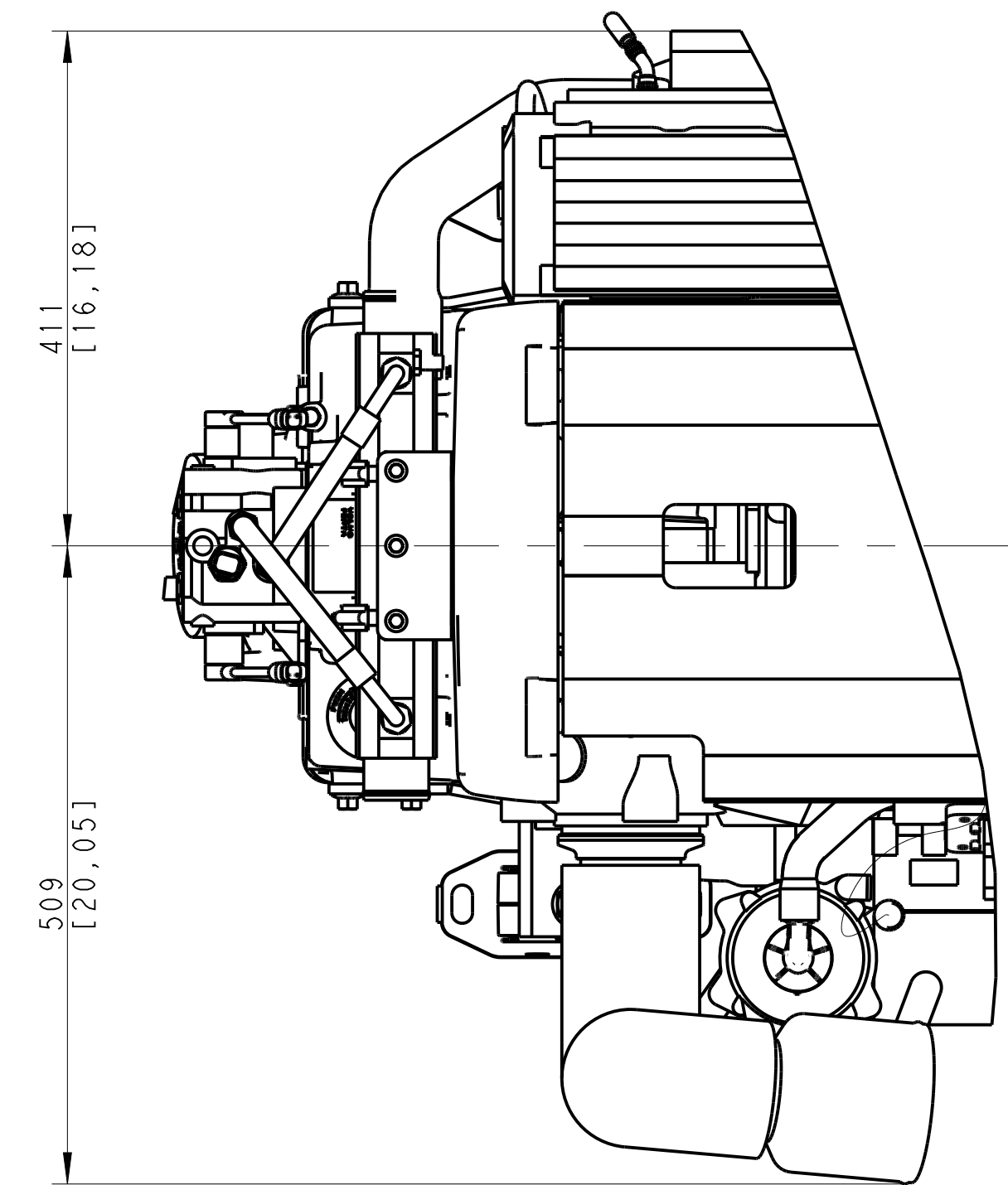
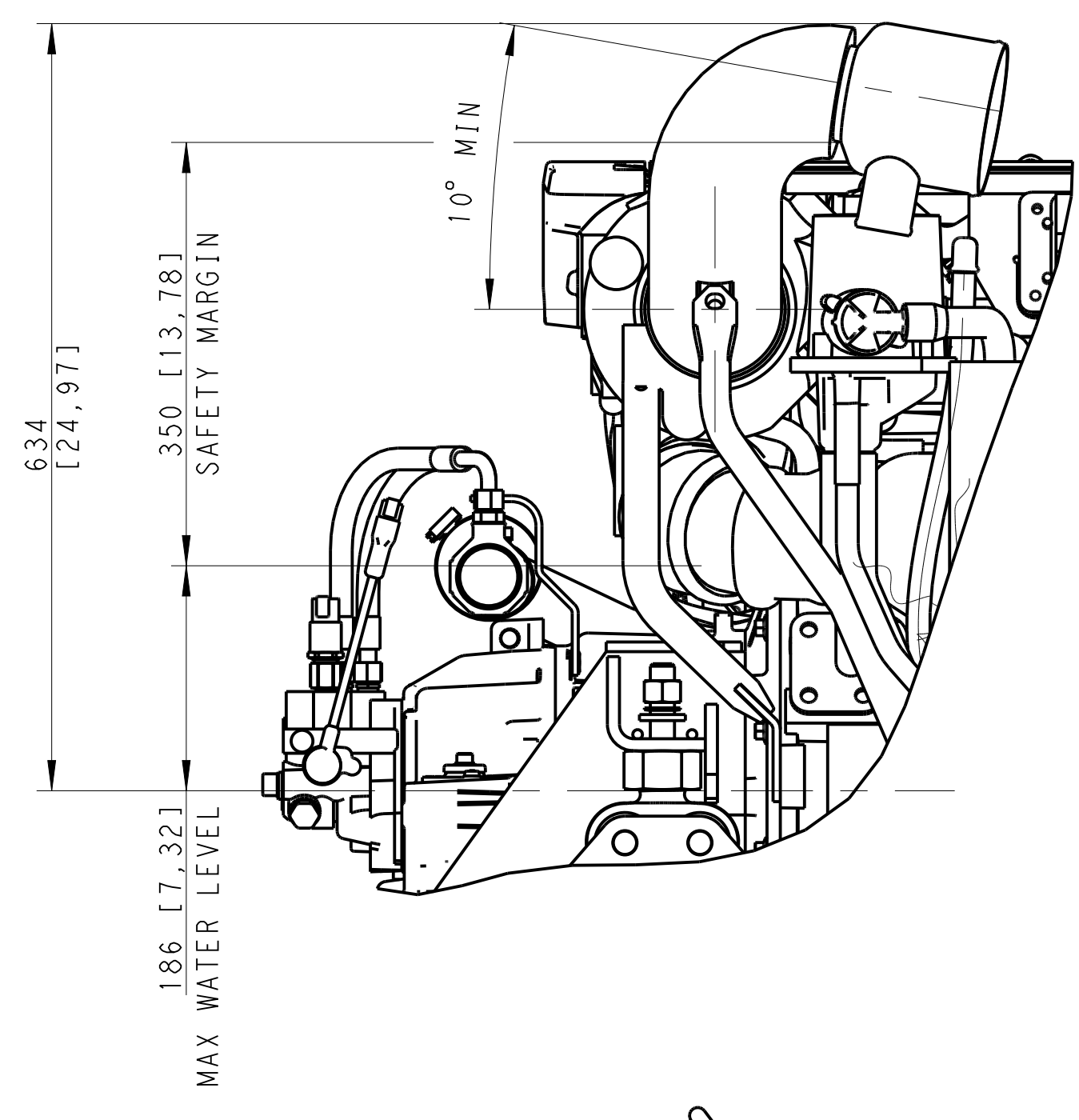
D4 AND D6 UP TO D6-380
A GEARBOXES, STD EXHAUST BEND



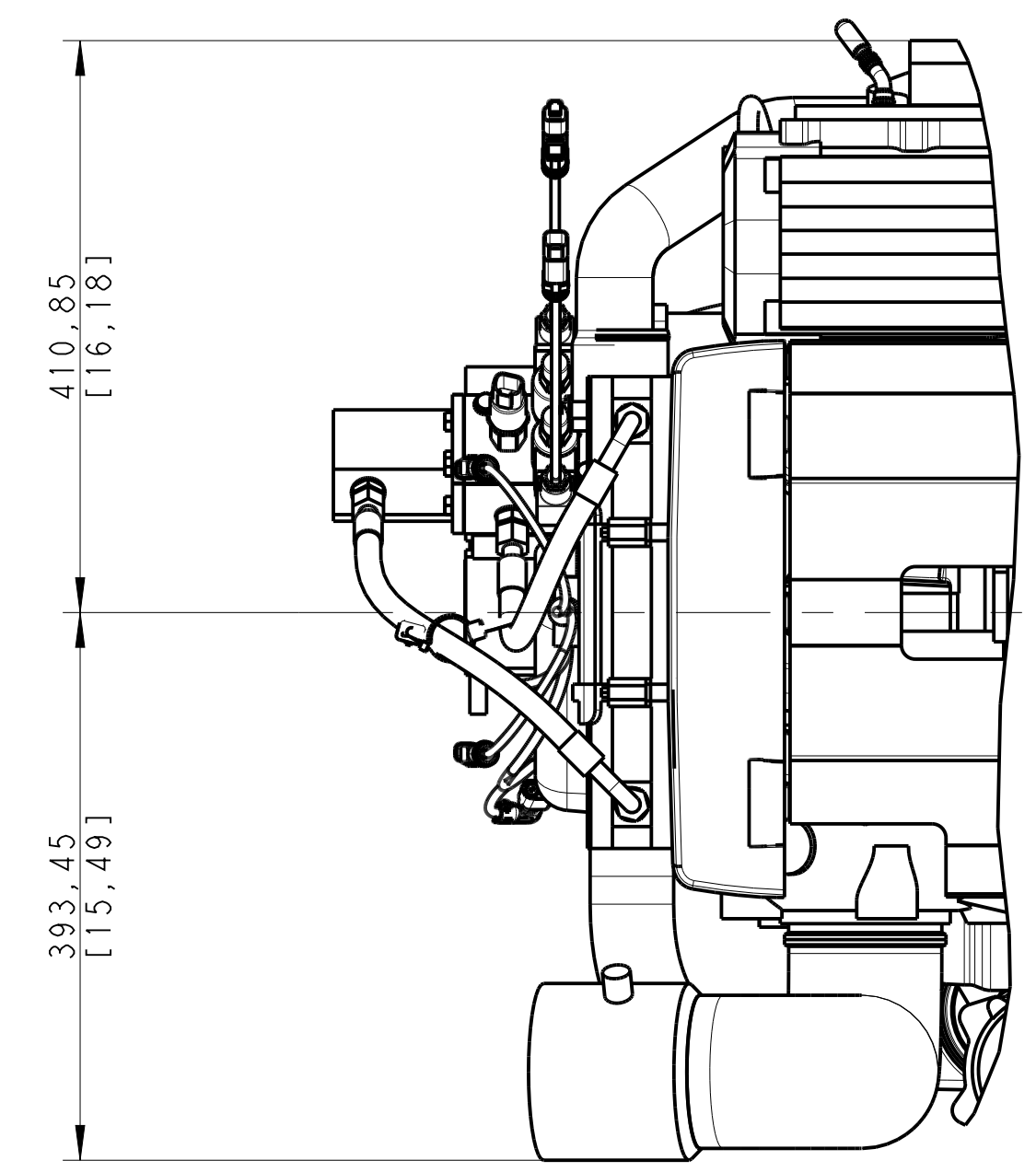
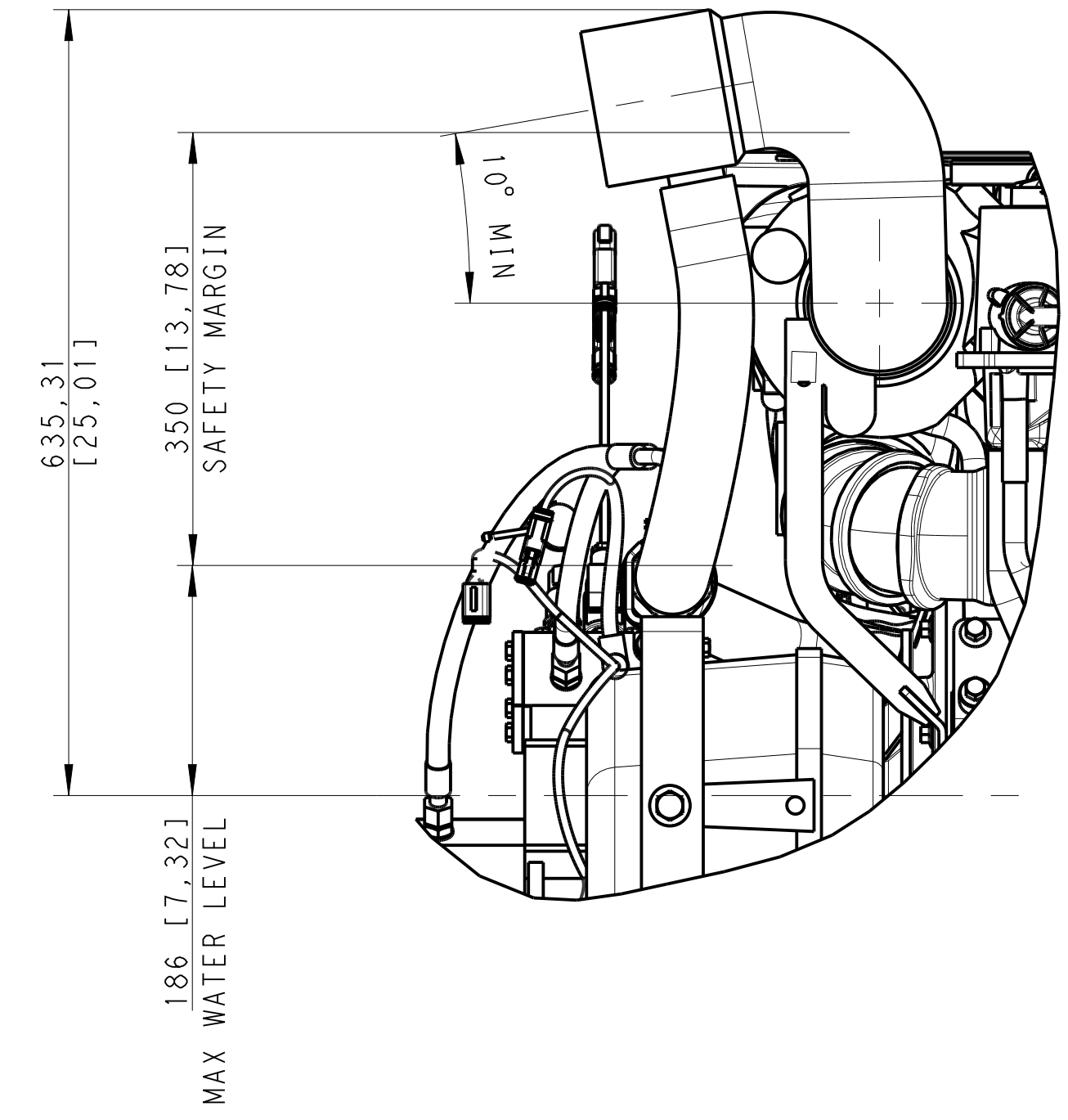
D4 AND D6 UP TO D6-380
A GEARBOXES, EXHAUST RISER



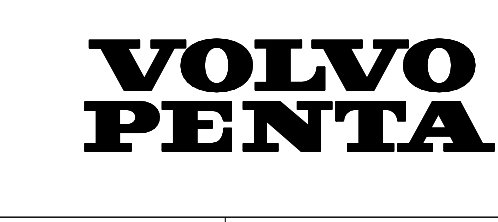
D6 UP TO D6-380
IV, EXHAUST RISER



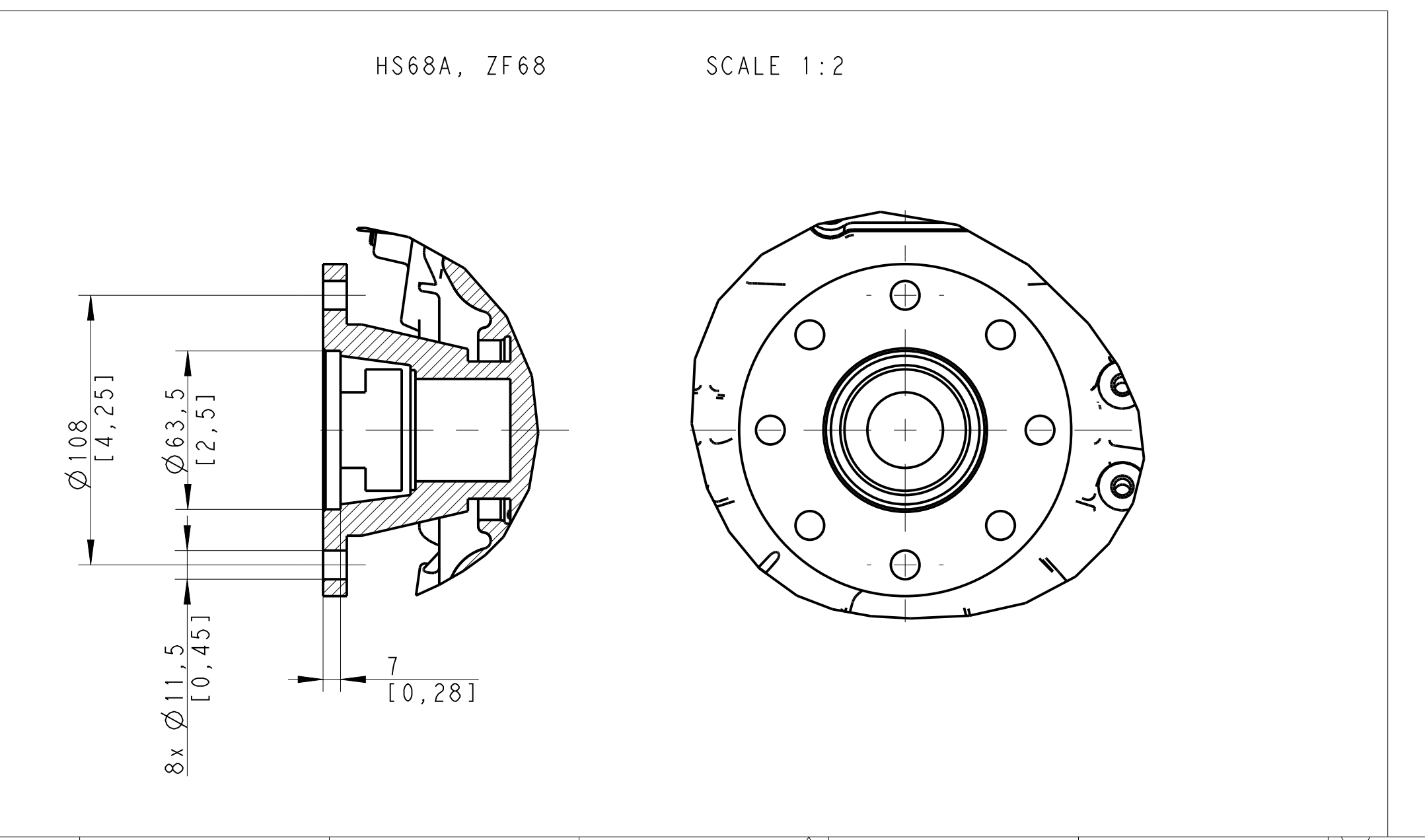
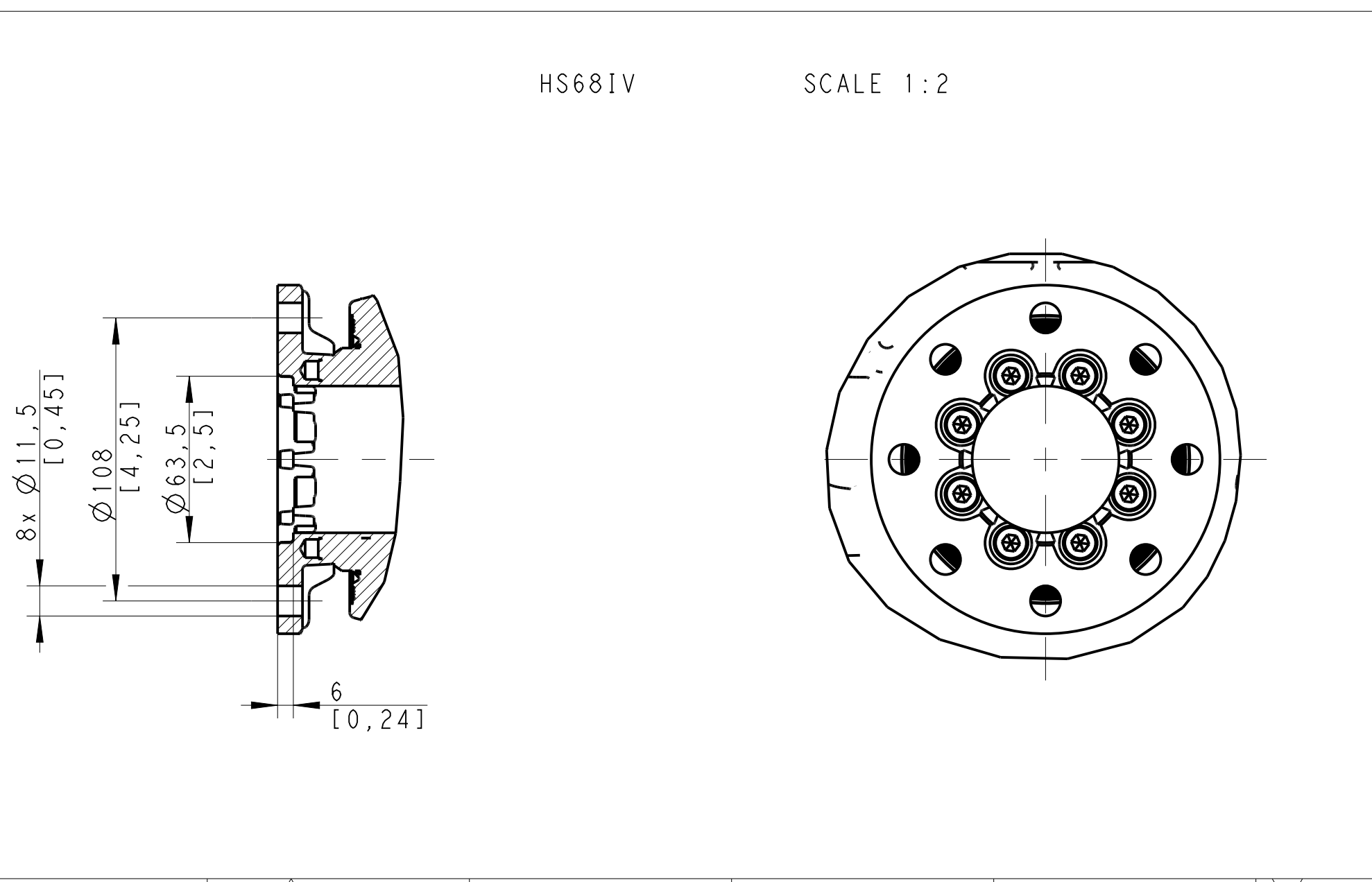
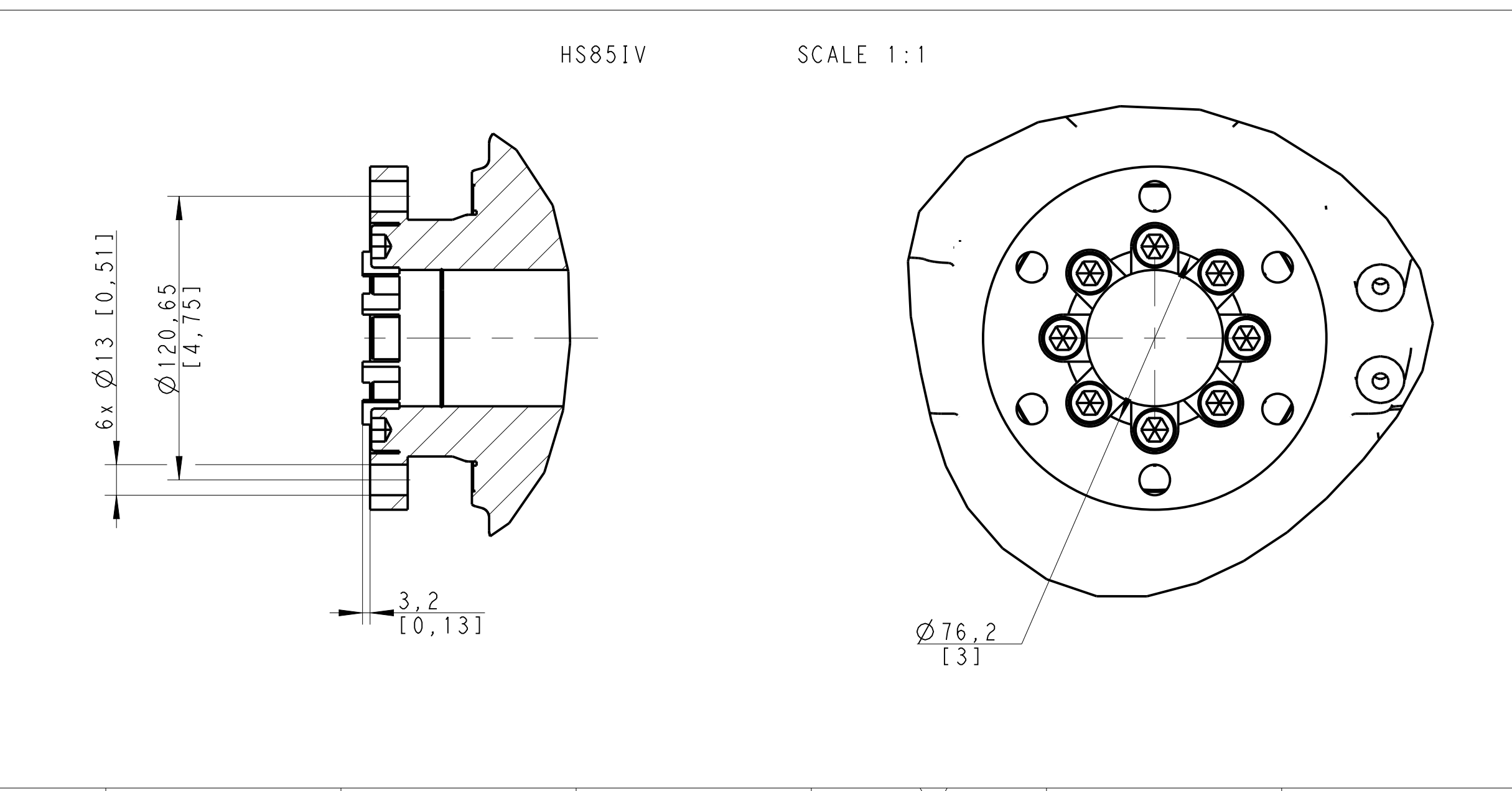
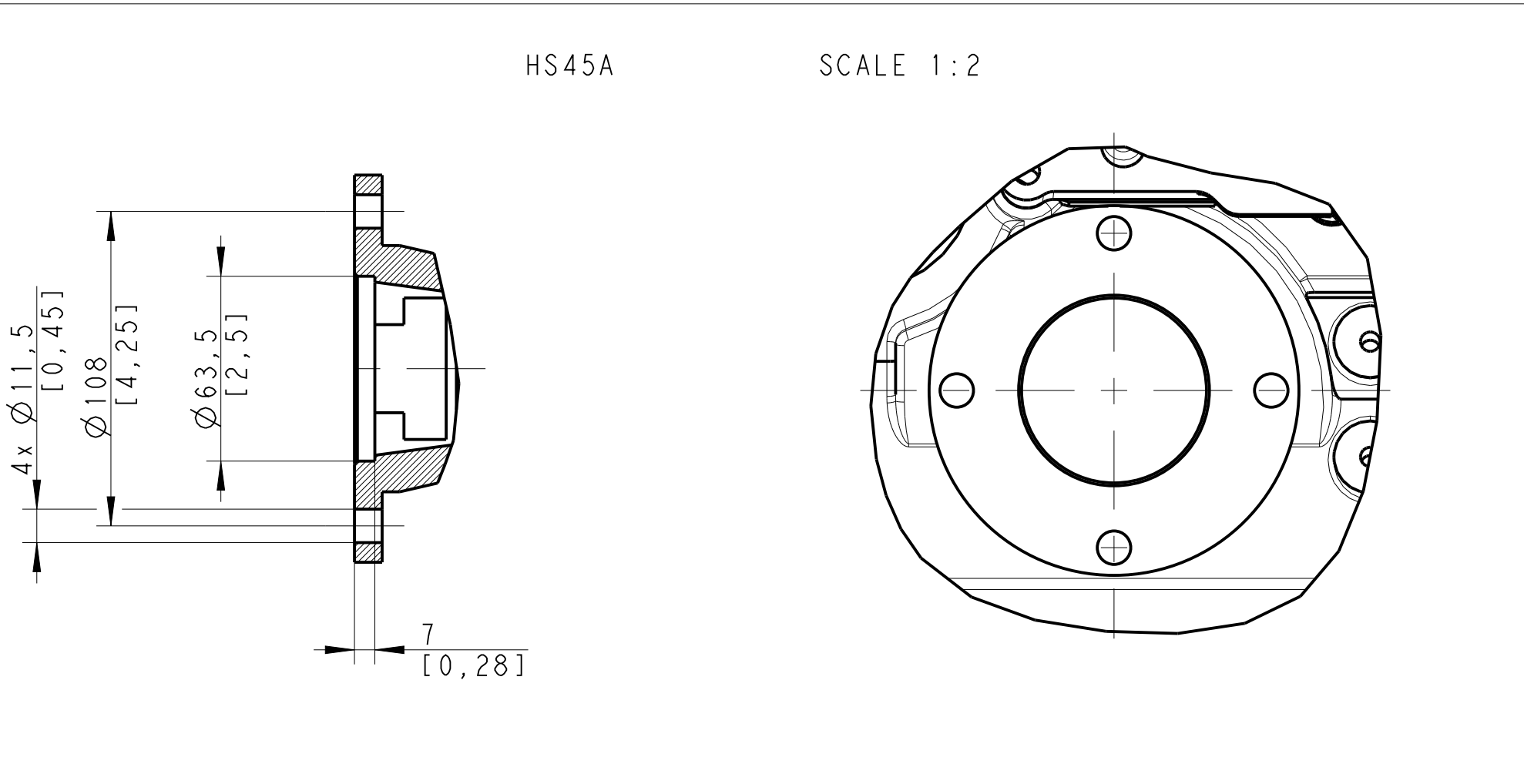
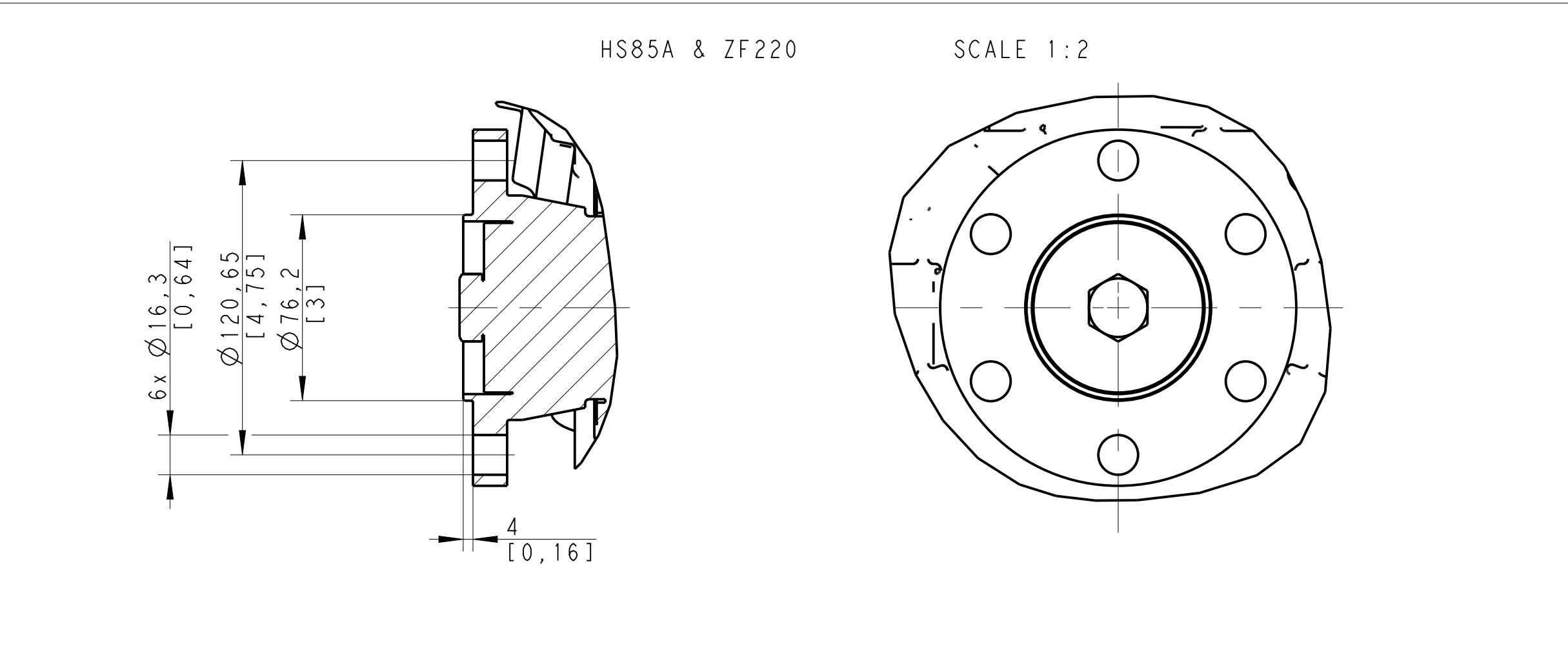
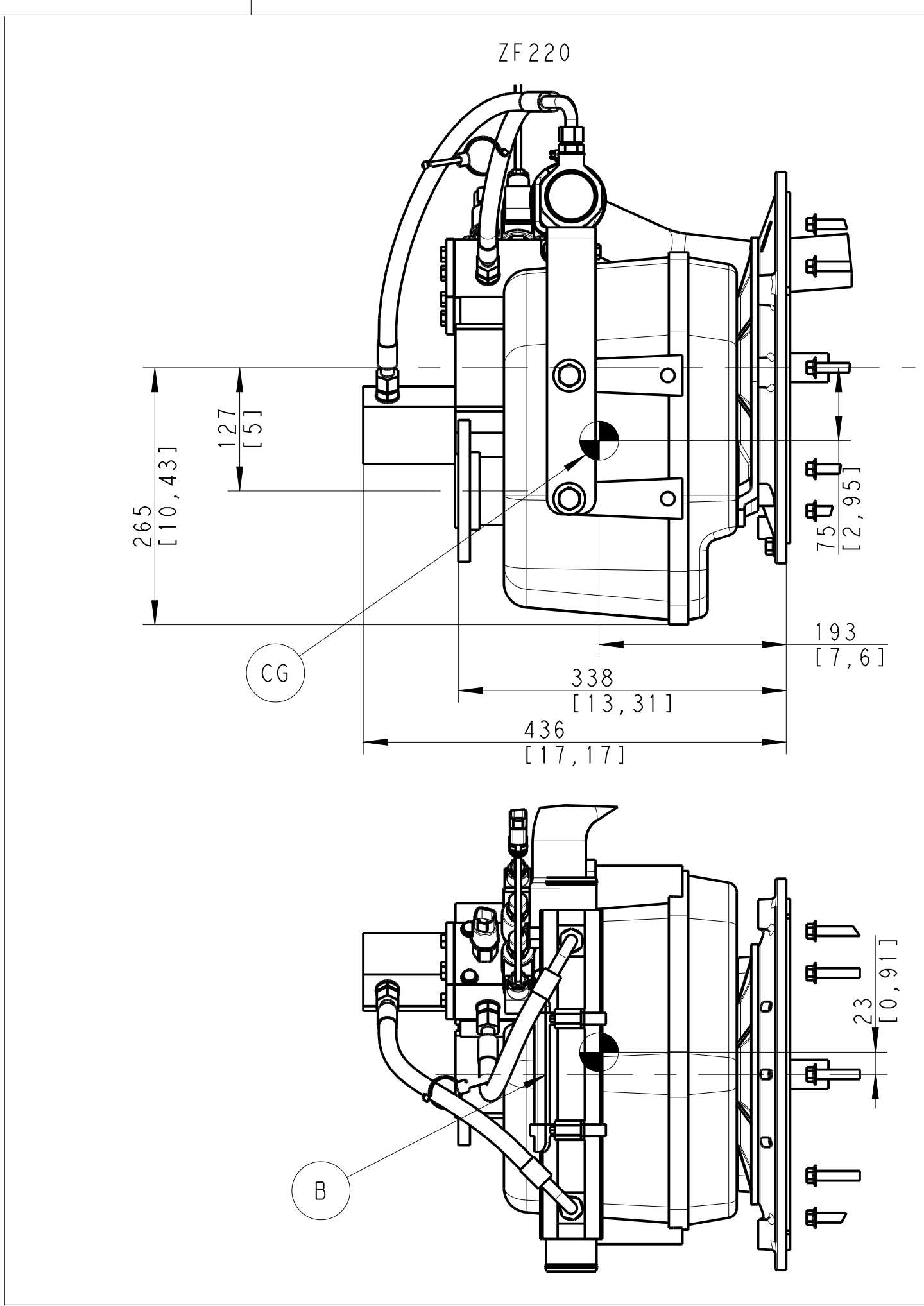
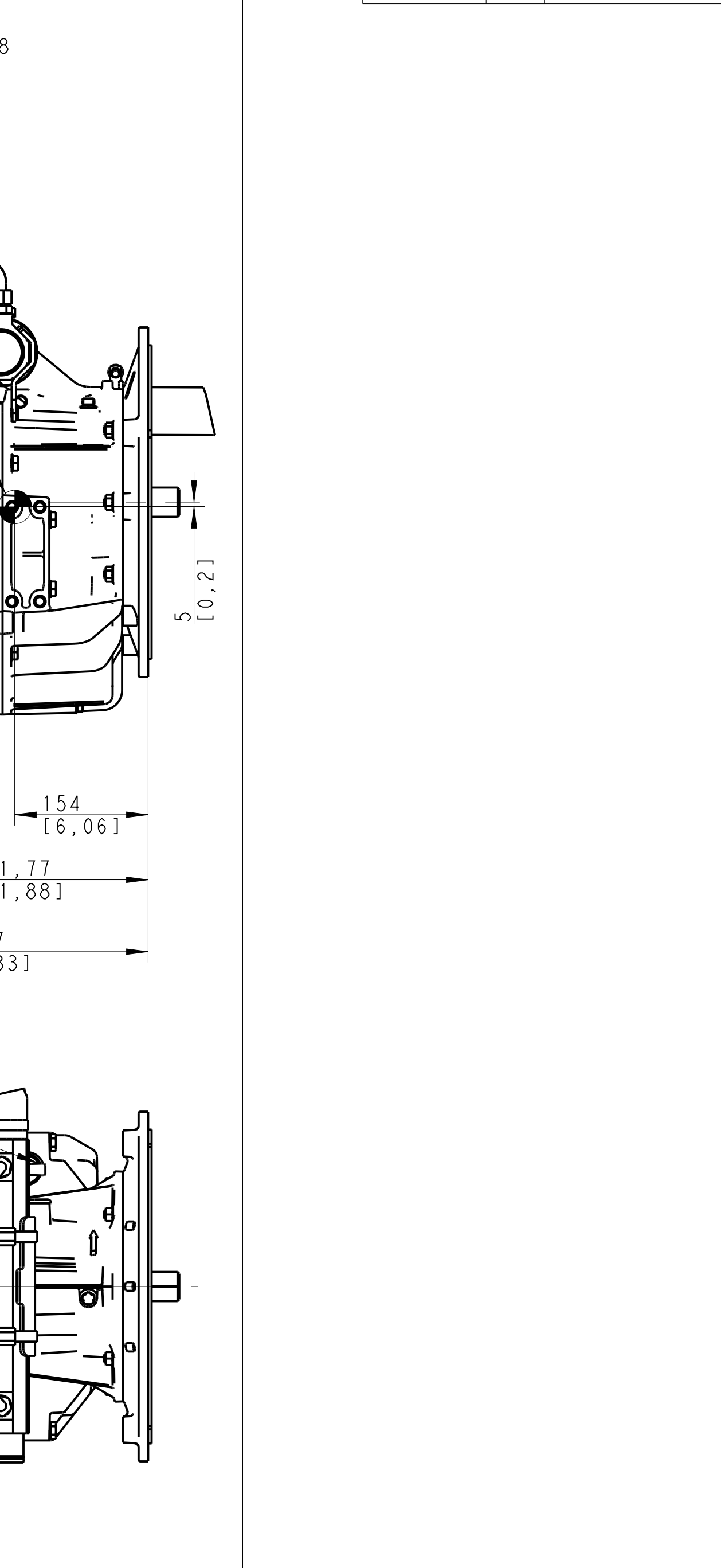
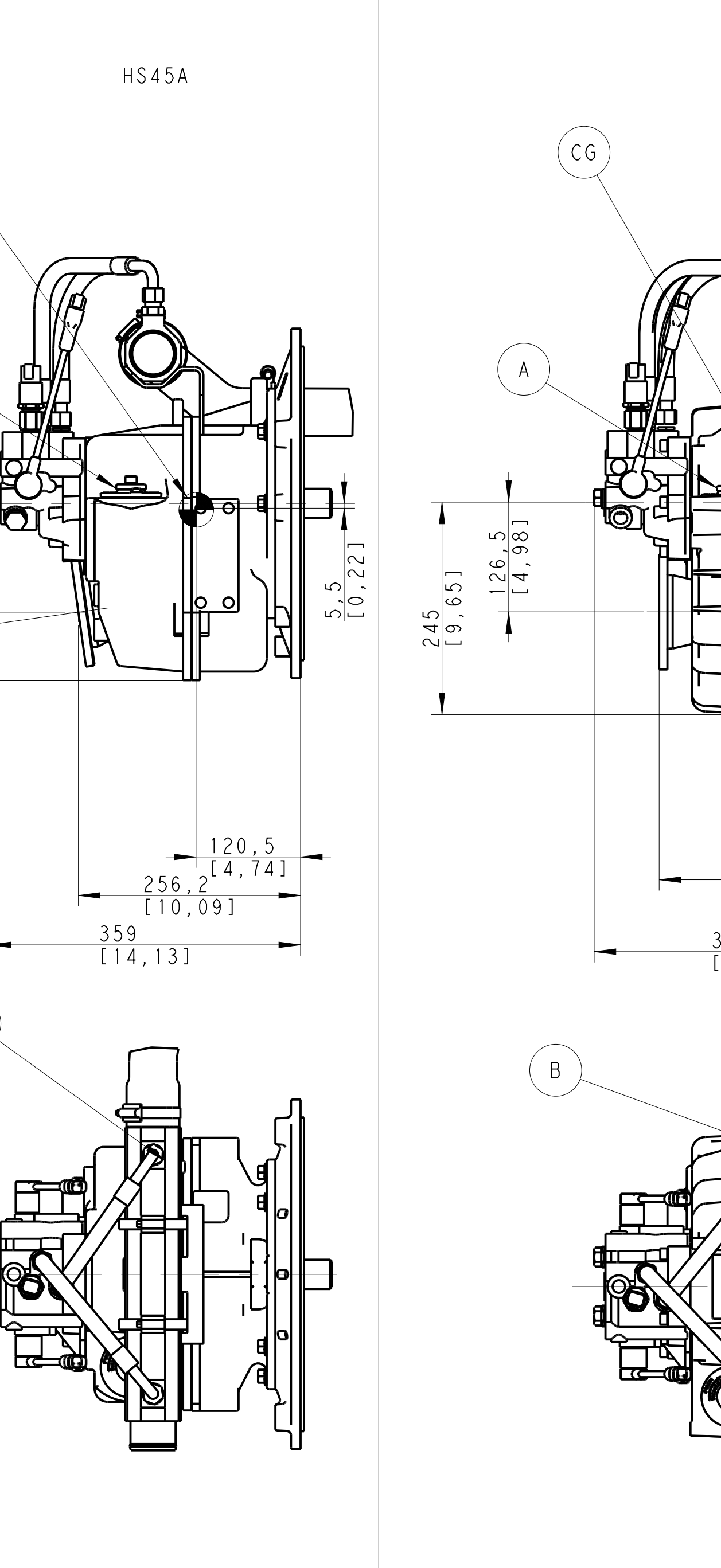
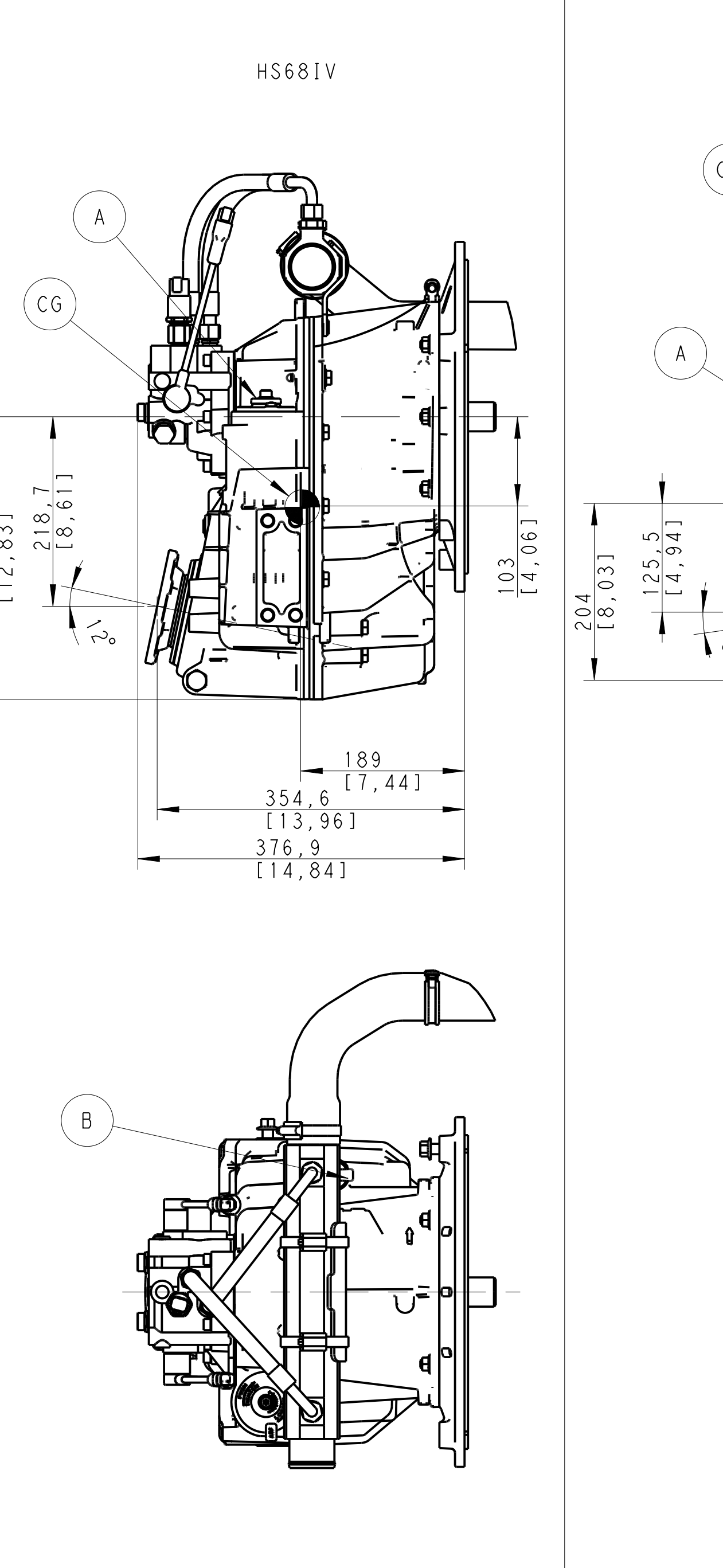
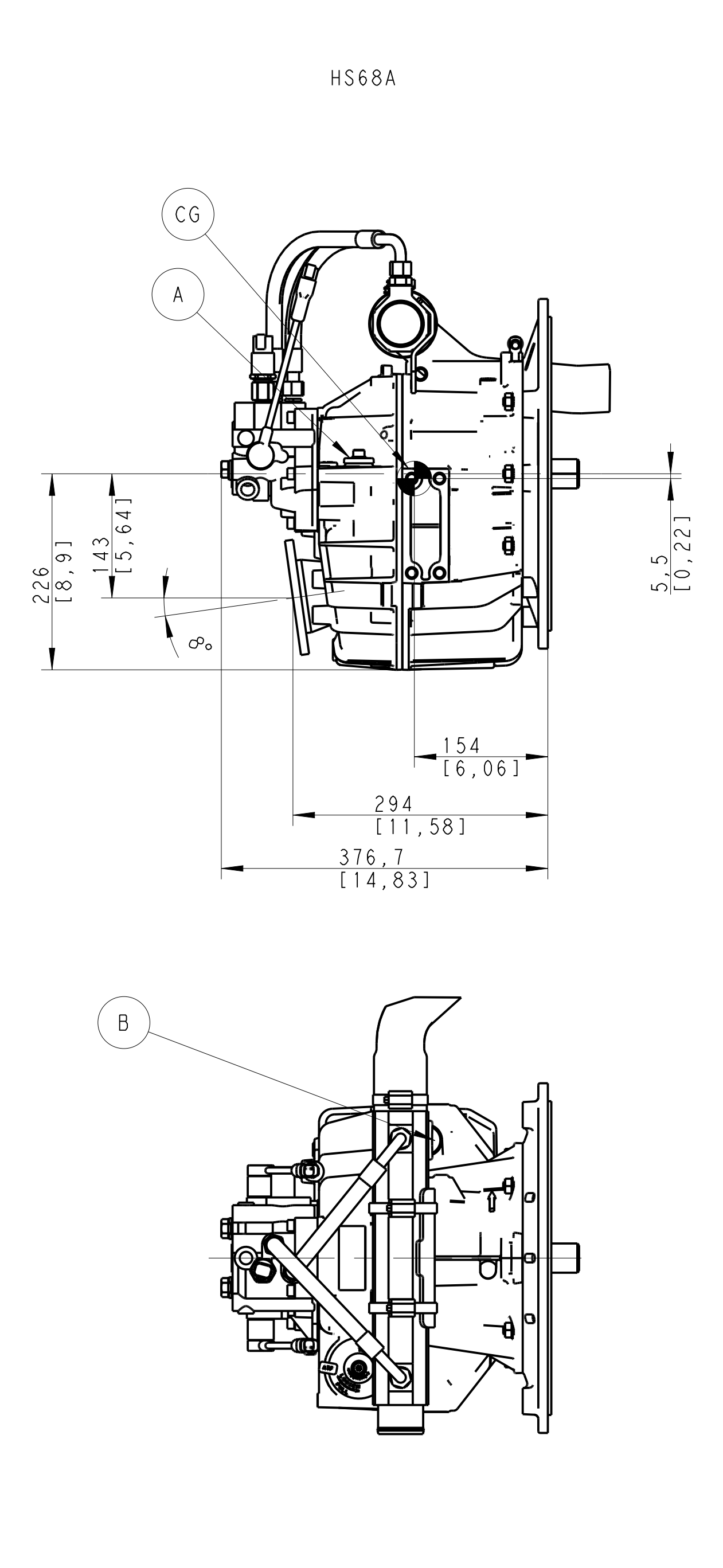
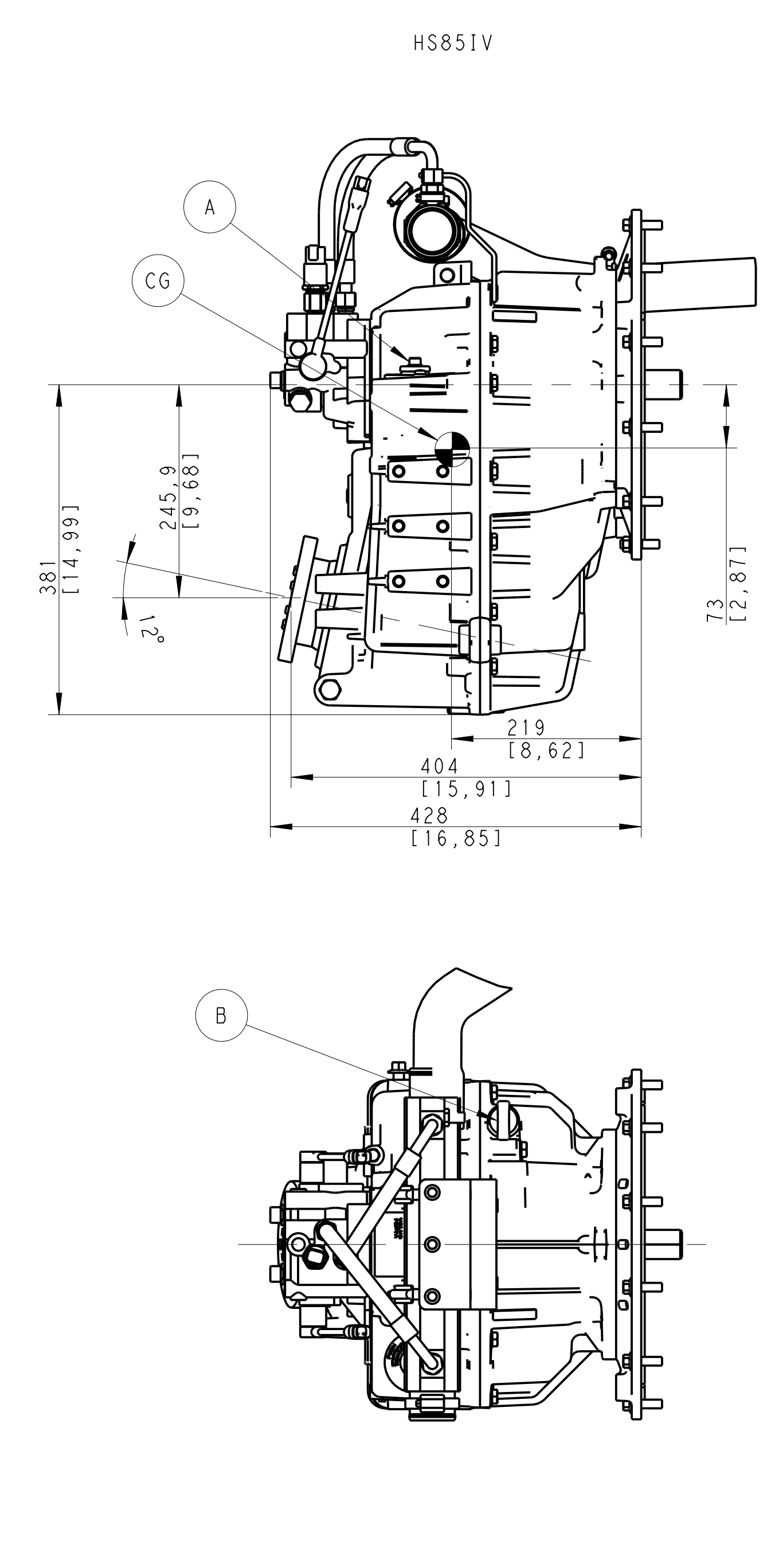
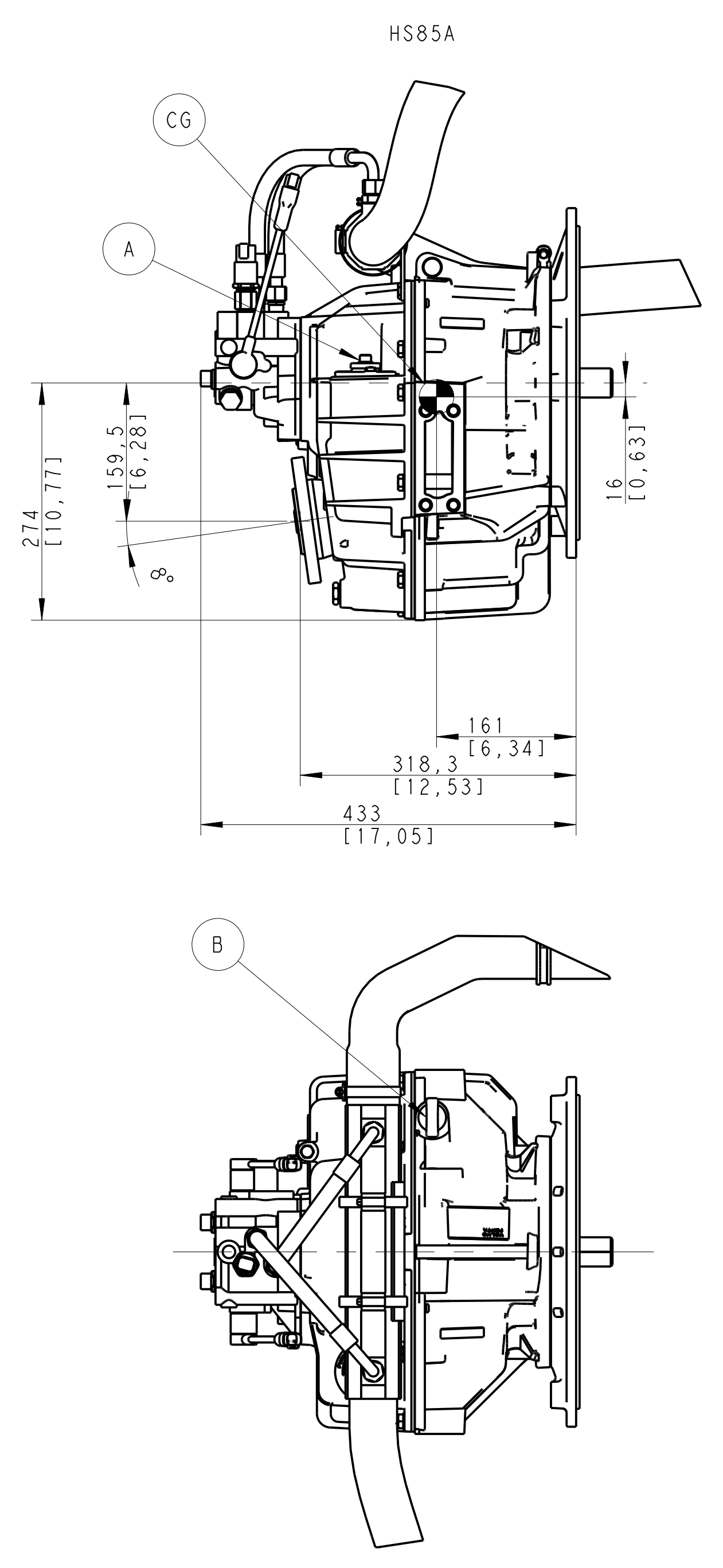
D4 AND D6 UP TO D6-380
ZF GEARBOXES, EXHAUST RISER



The copying, distribution and utilization of this document as well as the completion of its contents in other media without the express written consent of the copyright holder is prohibited. Offenders will be held liable for the payment of damages. All rights reserved in the event of the grant of patent, utility model or trademark design registration.

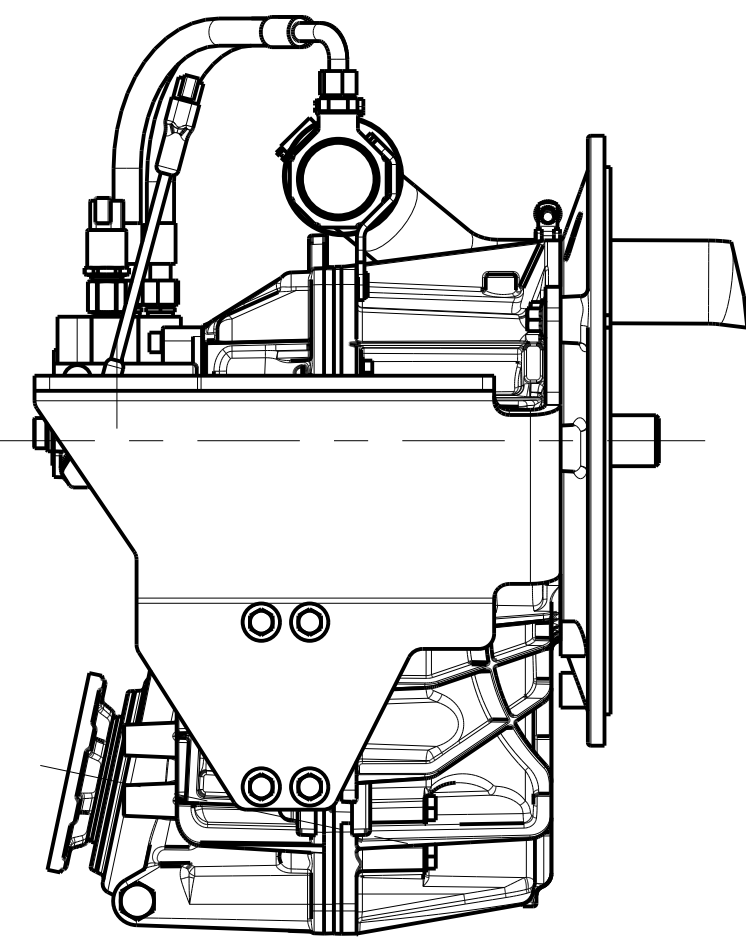


SYMBOLS, DESIGNATIONS AND GENERAL DRAWING METHODS STD 101-0005			
Document title INSTALLATION DRAWING D4/D6 GEARBOXES			
Document type INSTALLATION DRAWING			
Cover design/Document profile			
Document No 23292848	Issue index 02	Sheet No 2(5)	

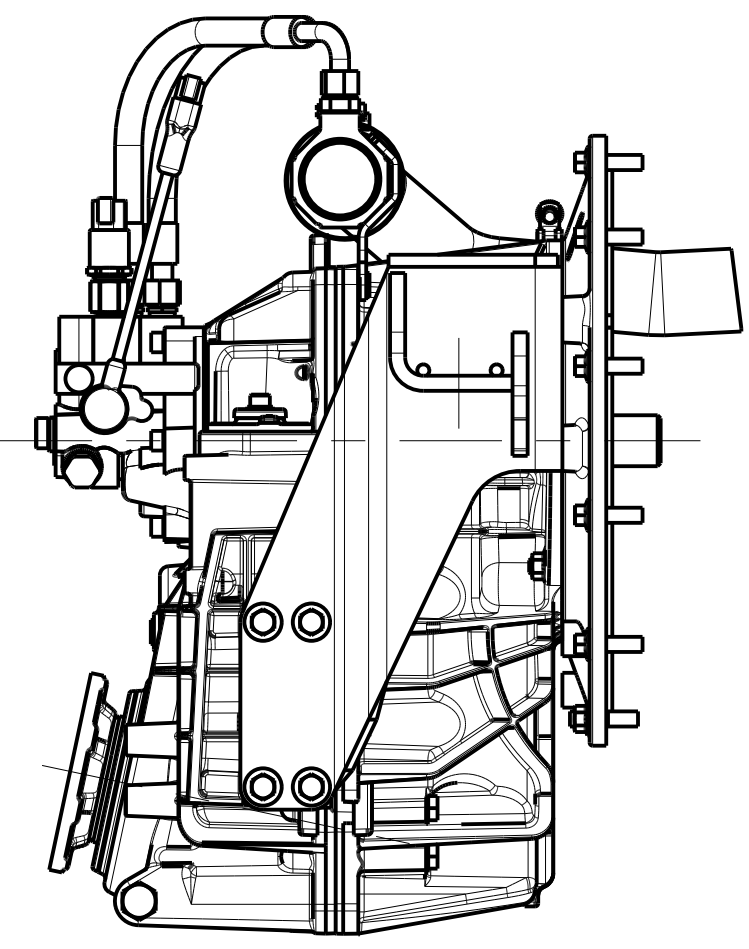


- (A) OIL FILTER (UNDER COVER)
- (B) OIL DIP-STICK
- (CG) CENTRE OF GRAVITY

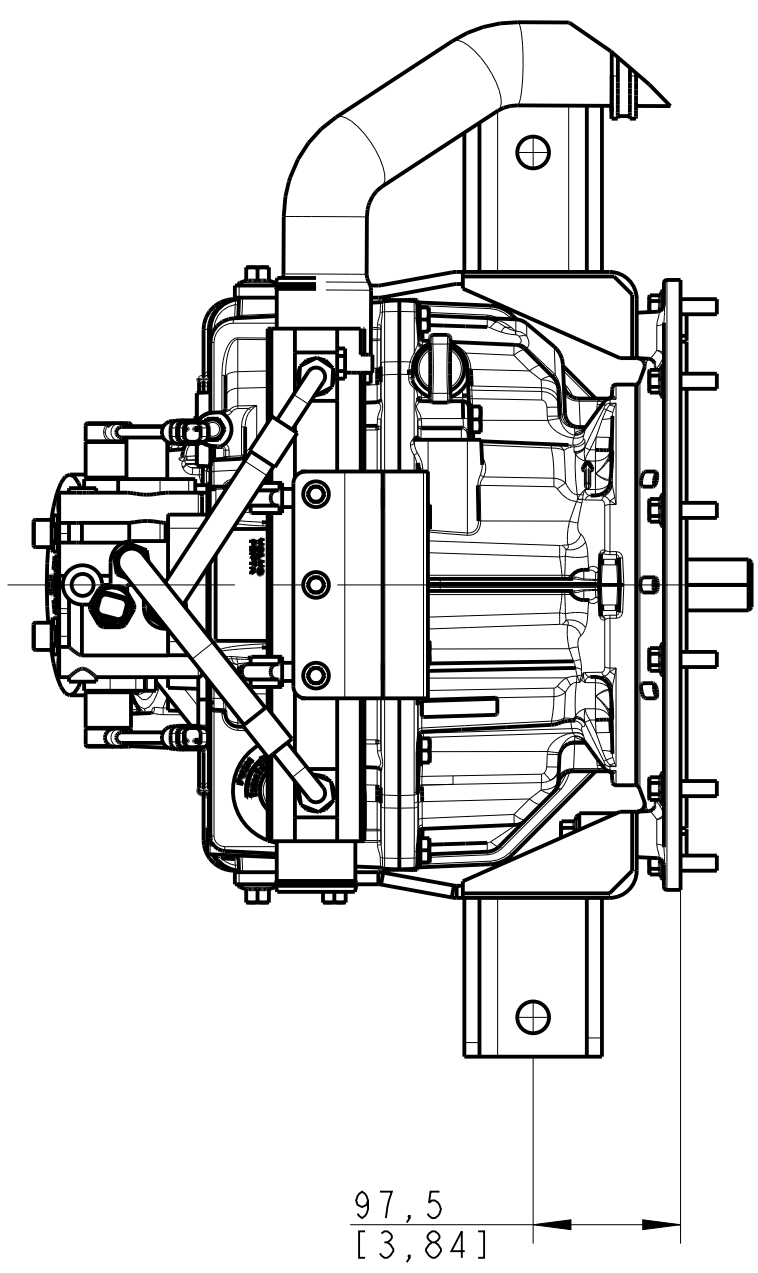
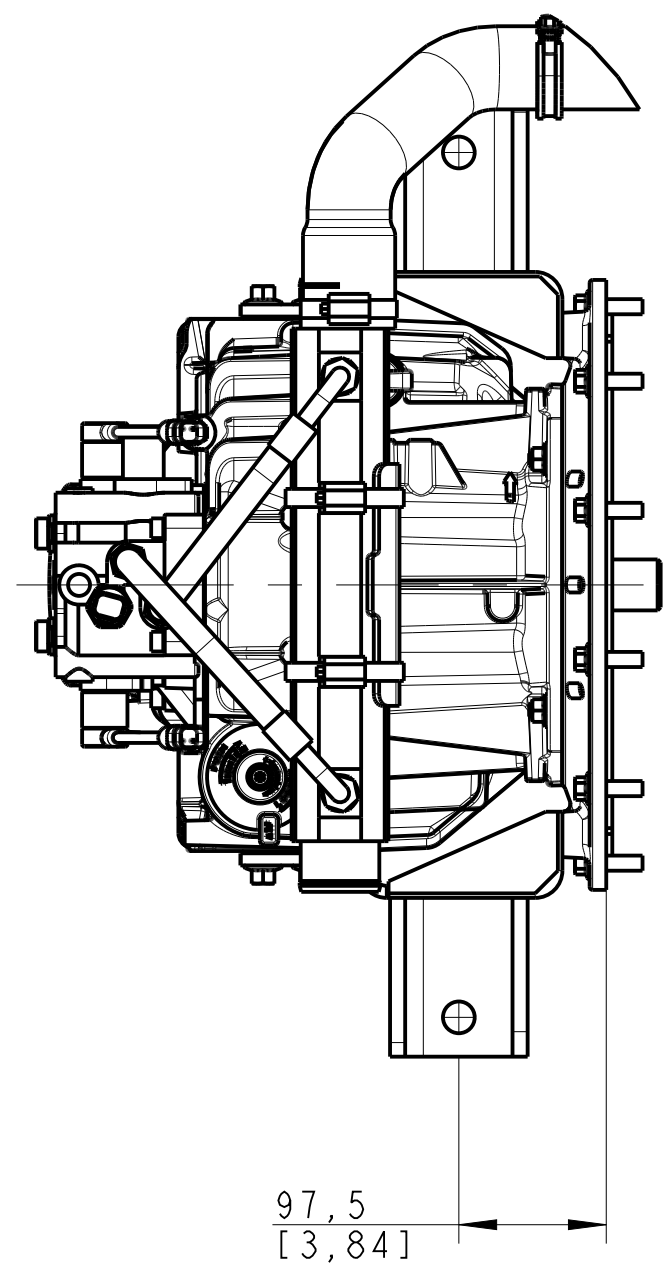
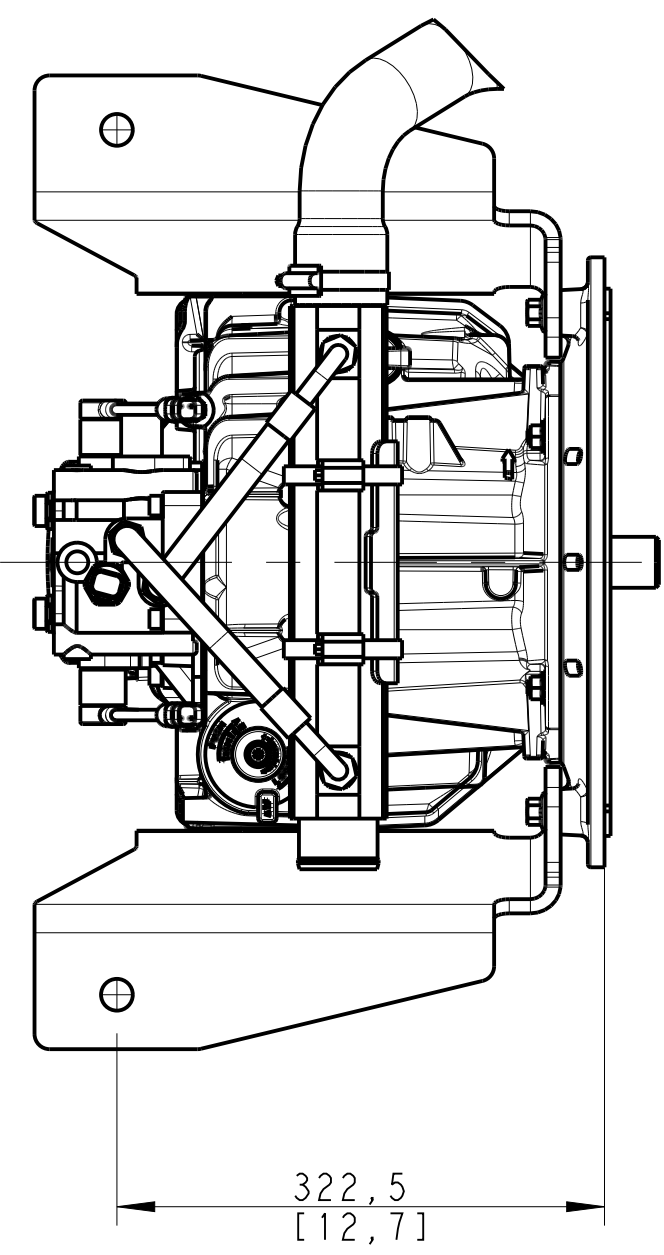
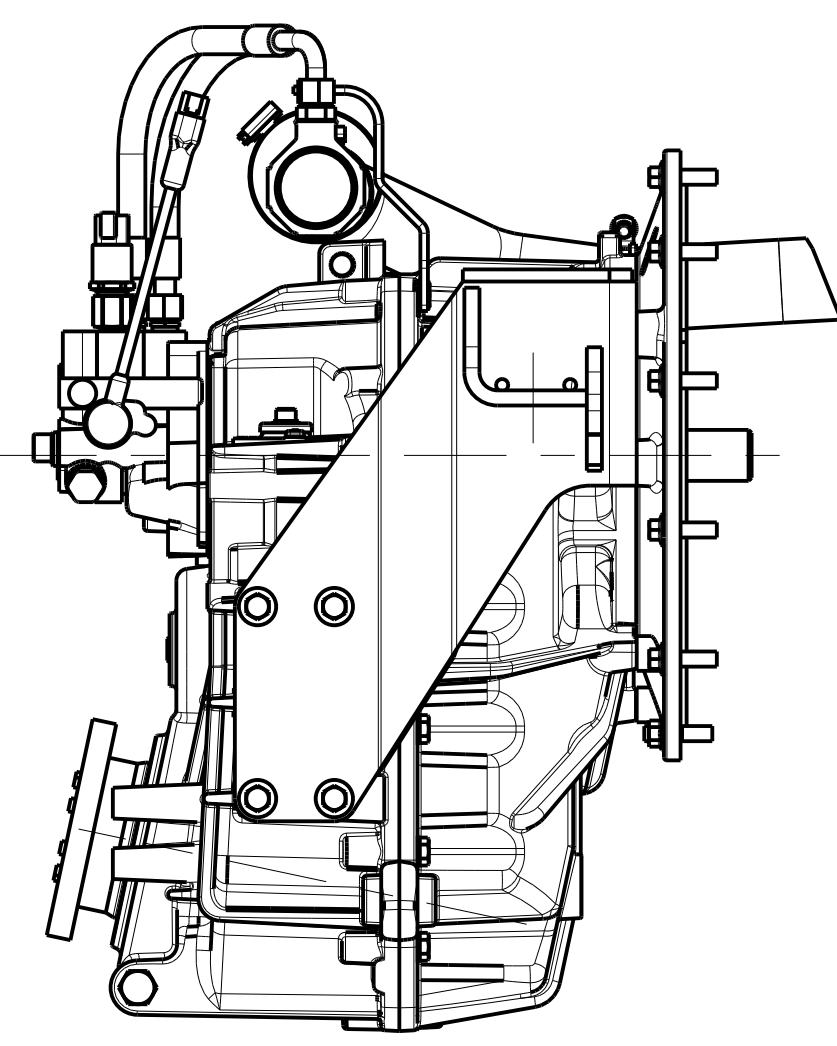
HS681V D4



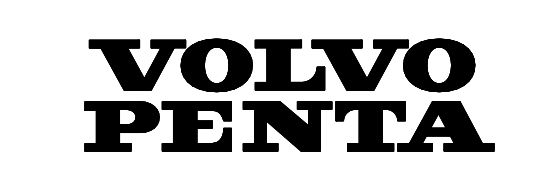
HS681V D6



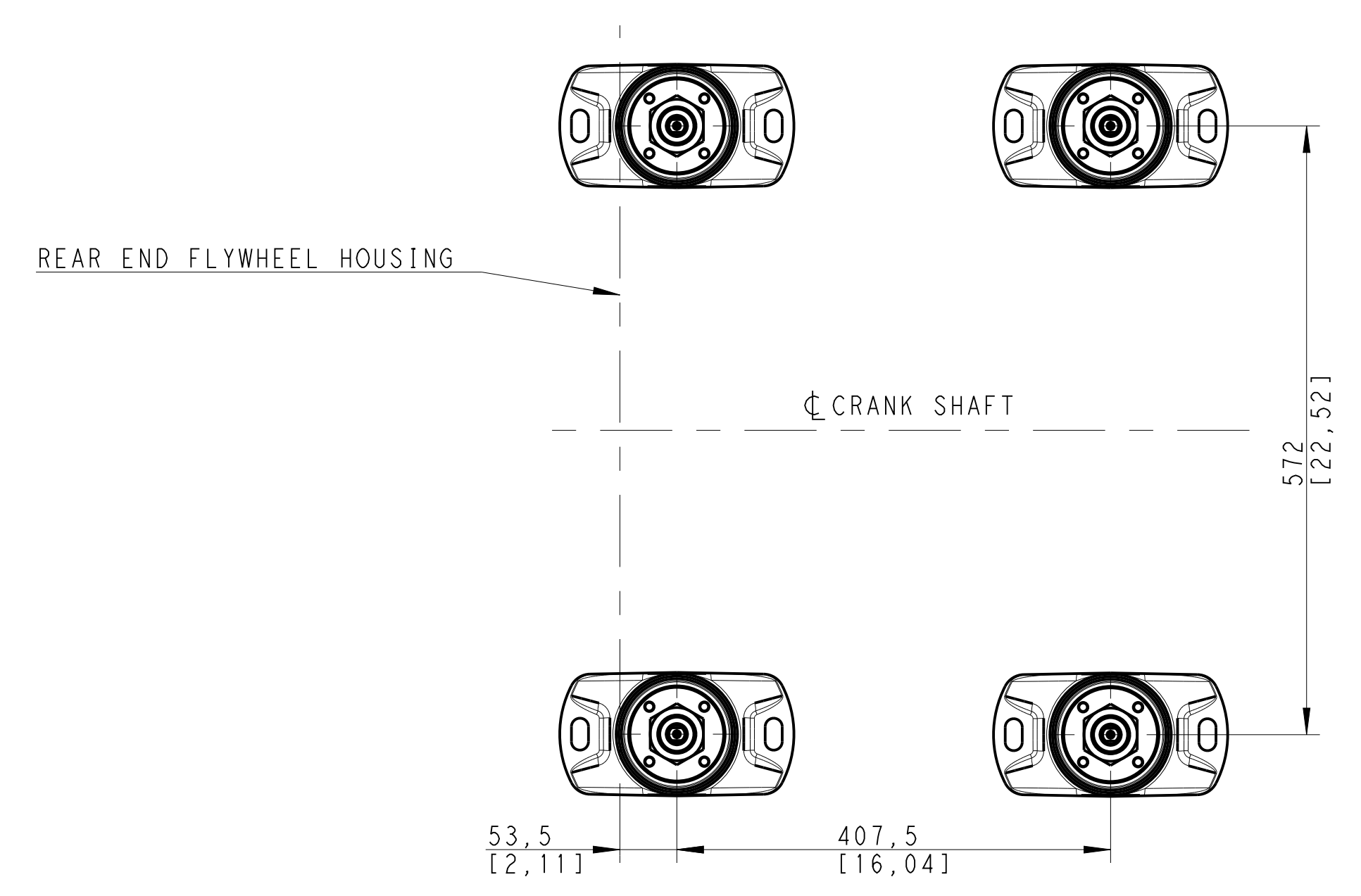
HS851V D4 & D6



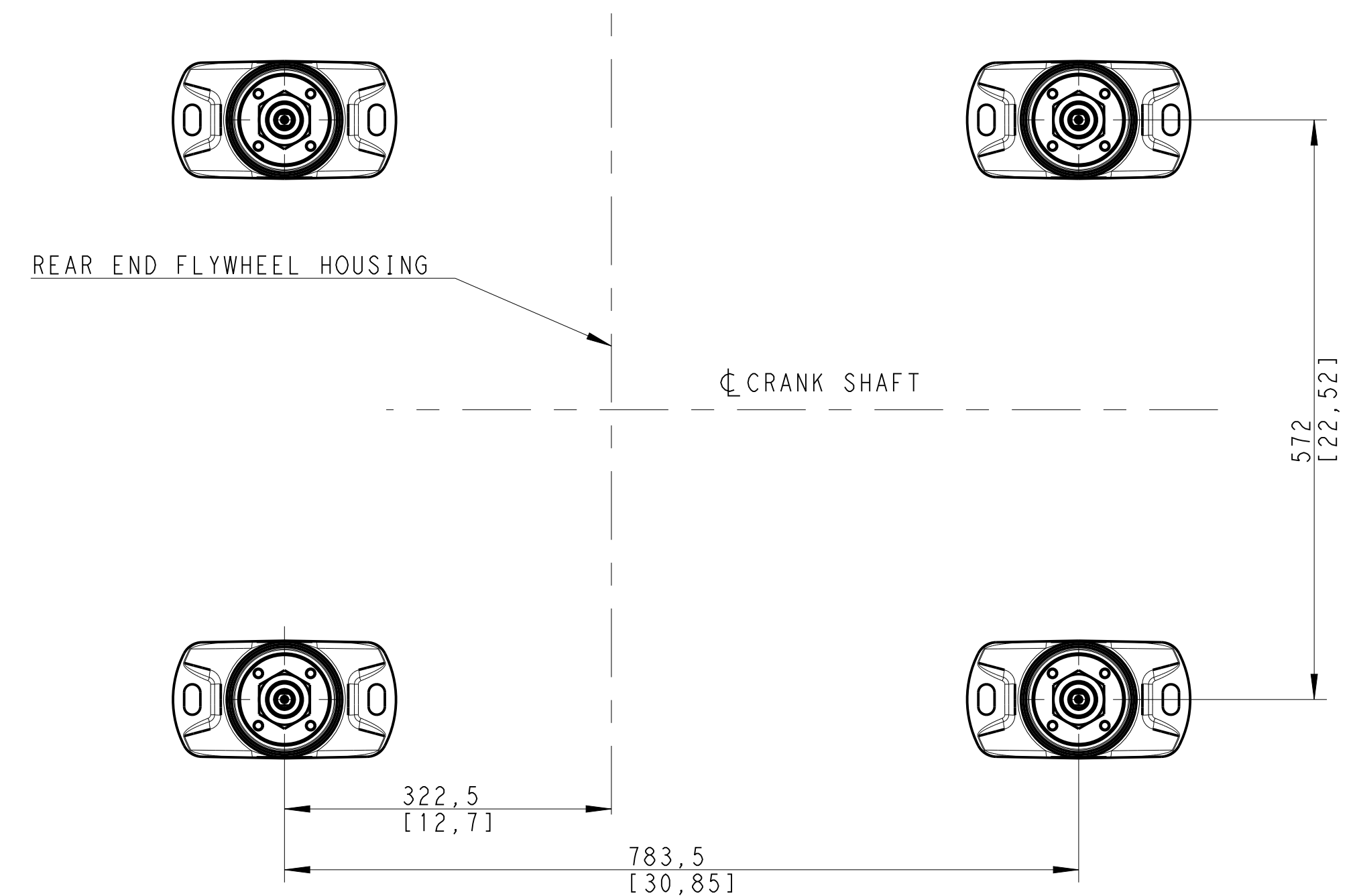
<p>The copying, distribution and utilization of this document as well as the communication of its contents to other persons without the express written consent of the copyright holder is prohibited. Offenders will be held liable for payment of damages. All rights reserved in the event of the grant of a patent, utility model or ornamental design registration.</p>	<p>SYMBOLS, DESIGNATIONS AND GENERAL DRAWING METHODS STD 101-0005</p>	
	<p>Document title INSTALLATION DRAWING D4/D6 GEARBOXES</p>	
	<p>Document type INSTALLATION DRAWING</p>	
	<p>Document No 23292848</p>	<p>Issue index 02</p>



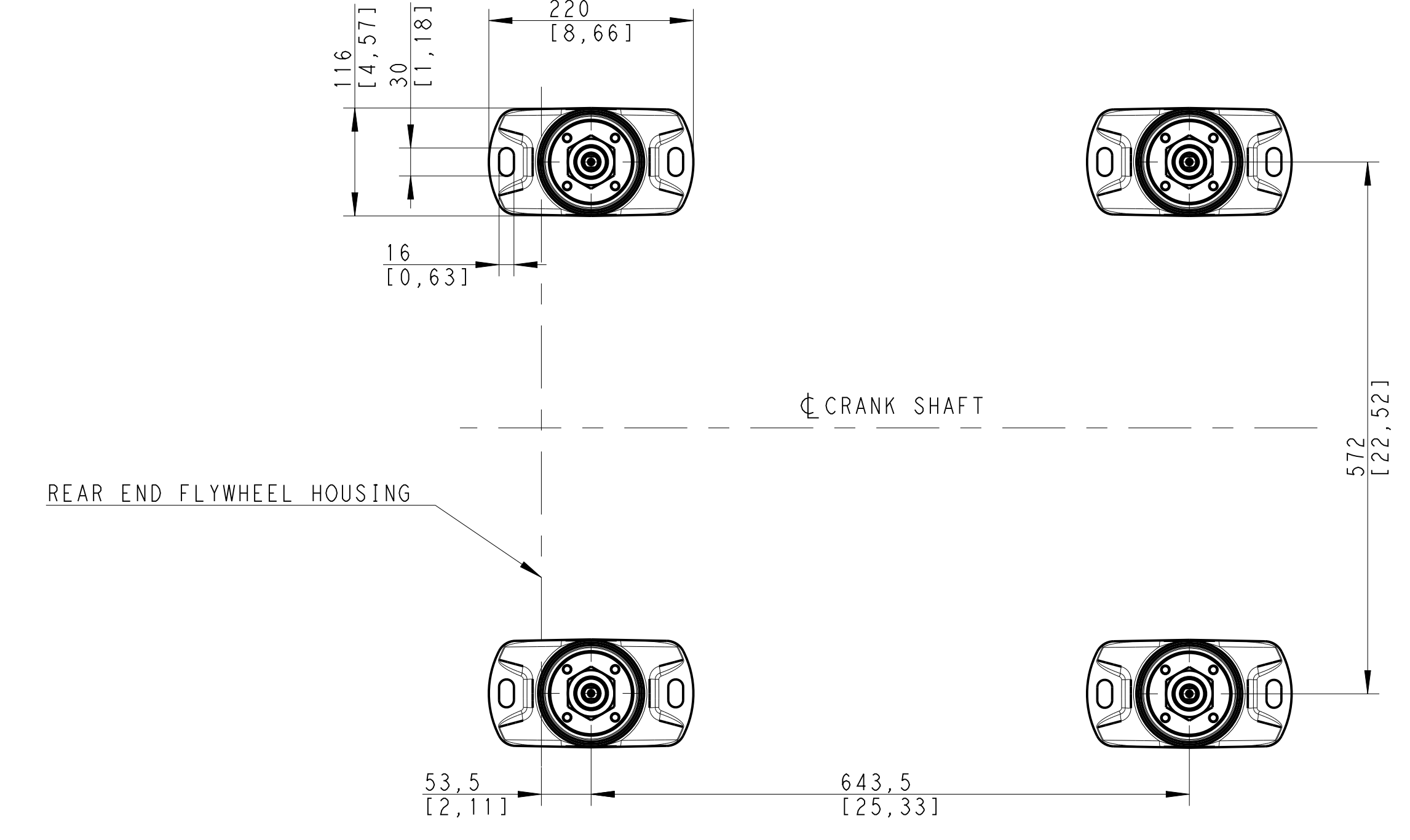
D4 WITH A AND ZF GEARBOXES



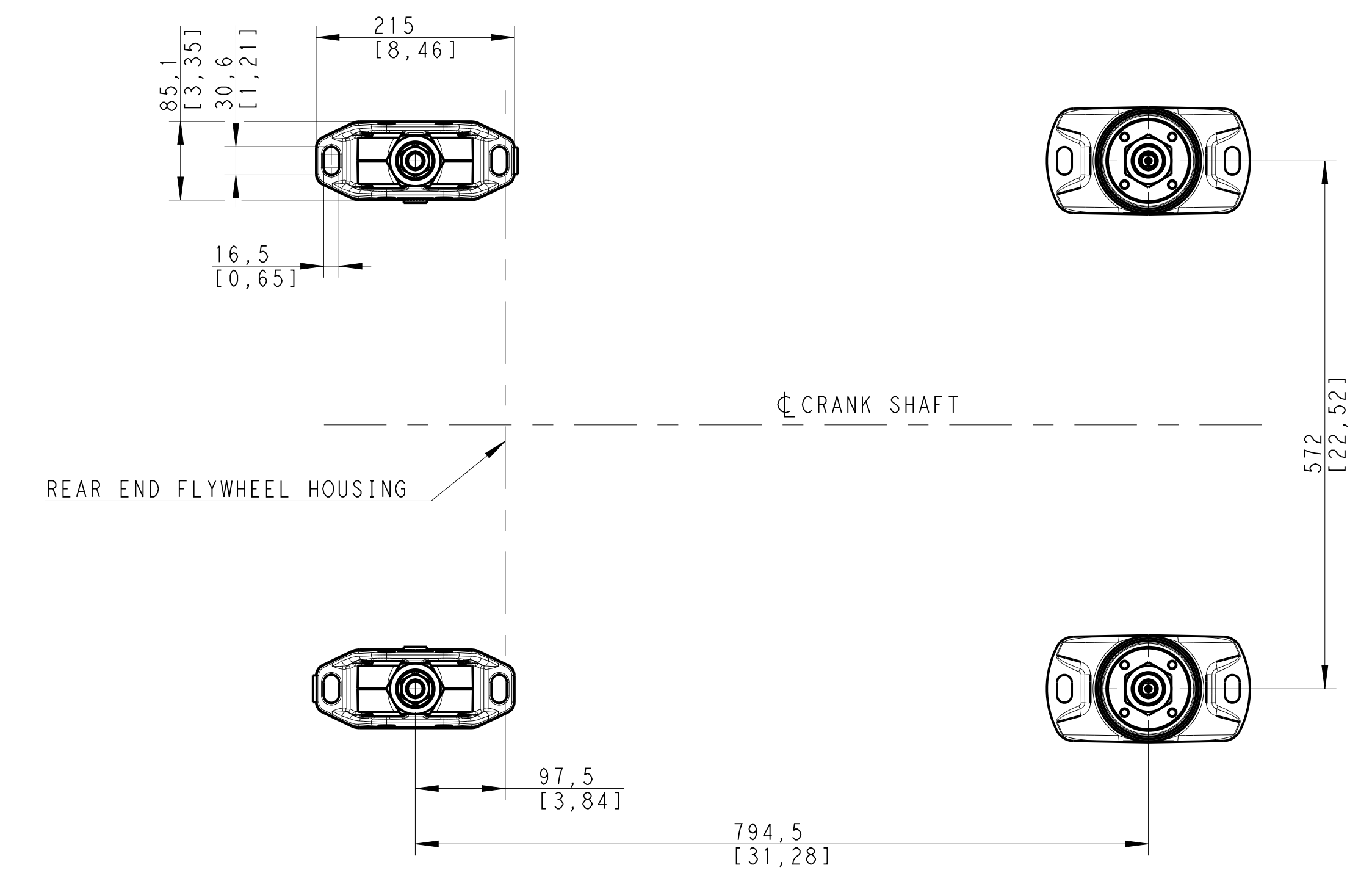
D4 WITH HS681V GEARBOXES



D6 WITH A AND ZF GEARBOXES



D6 WITH -IV GEARBOXES



<p>The copying, distribution and utilization of this document as well as the communication of its contents to other persons without the prior written consent of the copyright holder is prohibited. Offenders will be held liable for damages. All rights reserved in the event of the grant of a patent, utility model or trademark design registration.</p>	<p>SYMBOLS, DESIGNATIONS AND GENERAL DRAWING METHODS STD 101-0005</p>	
	<p>Document title INSTALLATION DRAWING D4/D6 GEARBOXES</p>	
	<p>Document type INSTALLATION DRAWING</p>	
	<p>Document No 23292848</p>	<p>Issue index 02</p>

