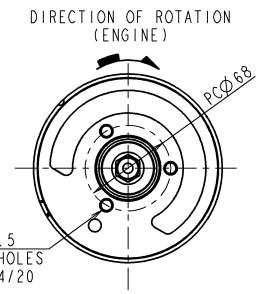
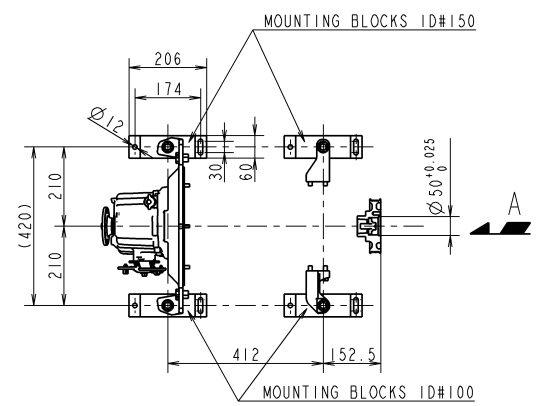
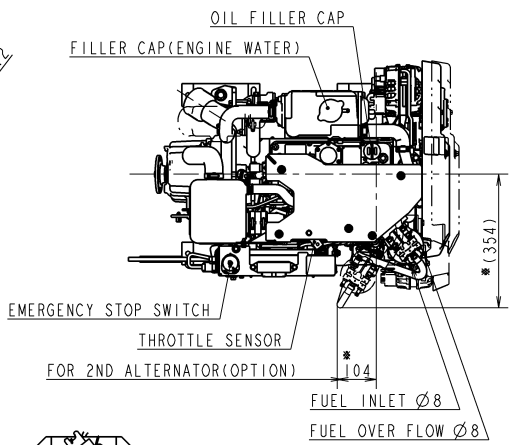
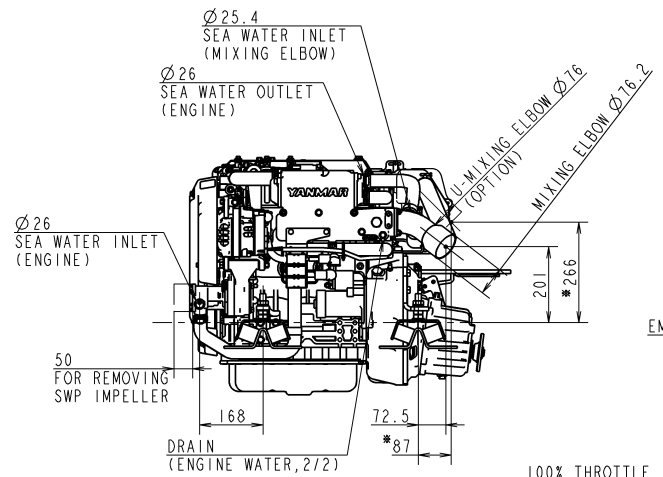
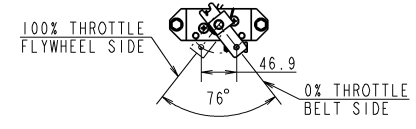


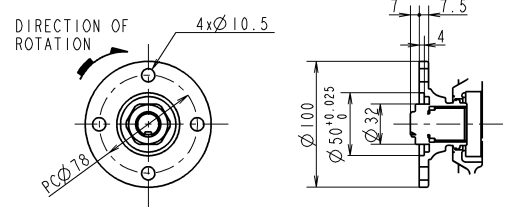
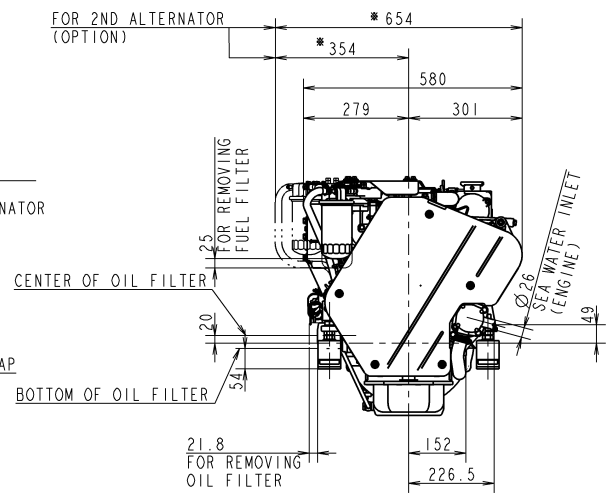
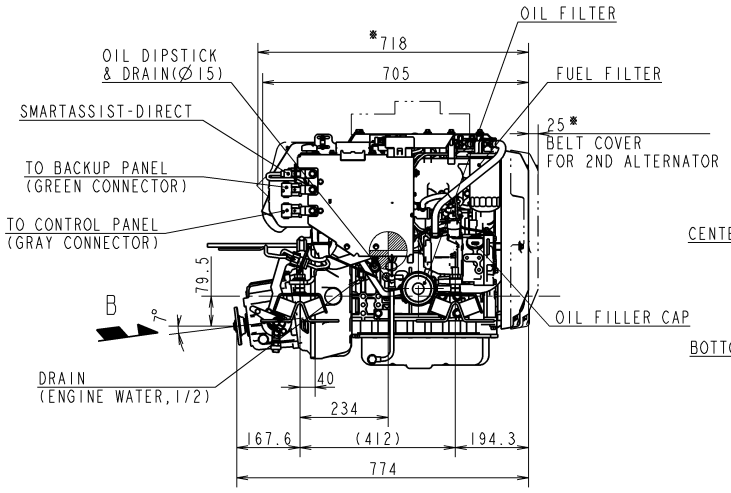
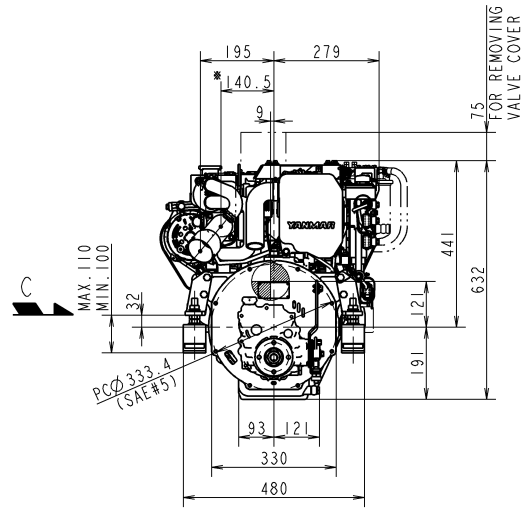
CAREER



DETAIL OF PULLEY SCALE 1:3 ARROW A



THROTTLE SENSOR SCALE 1:5



DETAIL OF FLYWHEEL SCALE 1:3 ARROW B

限定量産用 FOR LIMITED MASS PRODUCTION

MANAGER 川口

- NOTE
1. MOUNTING BLOCKS ARE COMPRESSED ABOUT 4mm BY ENGINE WEIGHT. DIMENSIONS OF MOUNTING BLOCK IN THIS DRAWING ARE WITHOUT ANY DEFORMATION.
 2. MOUNTING BLOCKS ARE EQUIPPED FOR STANDARD ACCESSORY.
 3. THE FIGURES MARKED WITH * SHOW THE DIMENSIONS WITH U-MIXING ELBOW OR OPTIONAL PARTS.
 4. \bullet SHOWS THE CENTER OF GRAVITY.

SPECIFICATIONS			
Model		3JH40	
Continuous Power (ISO 8665)	kW/min ⁻¹	26.8 / 2907	
Fuel Stop Power	Propeller shaft (ISO 8665)	kW/min ⁻¹	
	Crankshaft (ISO 8665)	kW/min ⁻¹	
Reduction ratio		2.33	2.64 / ---
Dry mass	kg	Approx. 205	
Direction of Crankshaft rotation		Counter-clockwise	

SEC. MANAGER 北本	CHECKED 北本	DESIGNED K. SHIGA	DRAWN F. KISHIDA	DATE: Y. M. D 2017. 4. 10	MODEL 3JH40	QTY -	SCALE 1:10	MATERIAL
OUTLINE, 3JH40-KM35A					カイヤ"イヌ" (3JH40)-KM35A			
YANMAR							CODE B2-29272-0040	DRAWN SIZE A2
YANMAR CO., LTD. DEVELOPMENT DIV.								