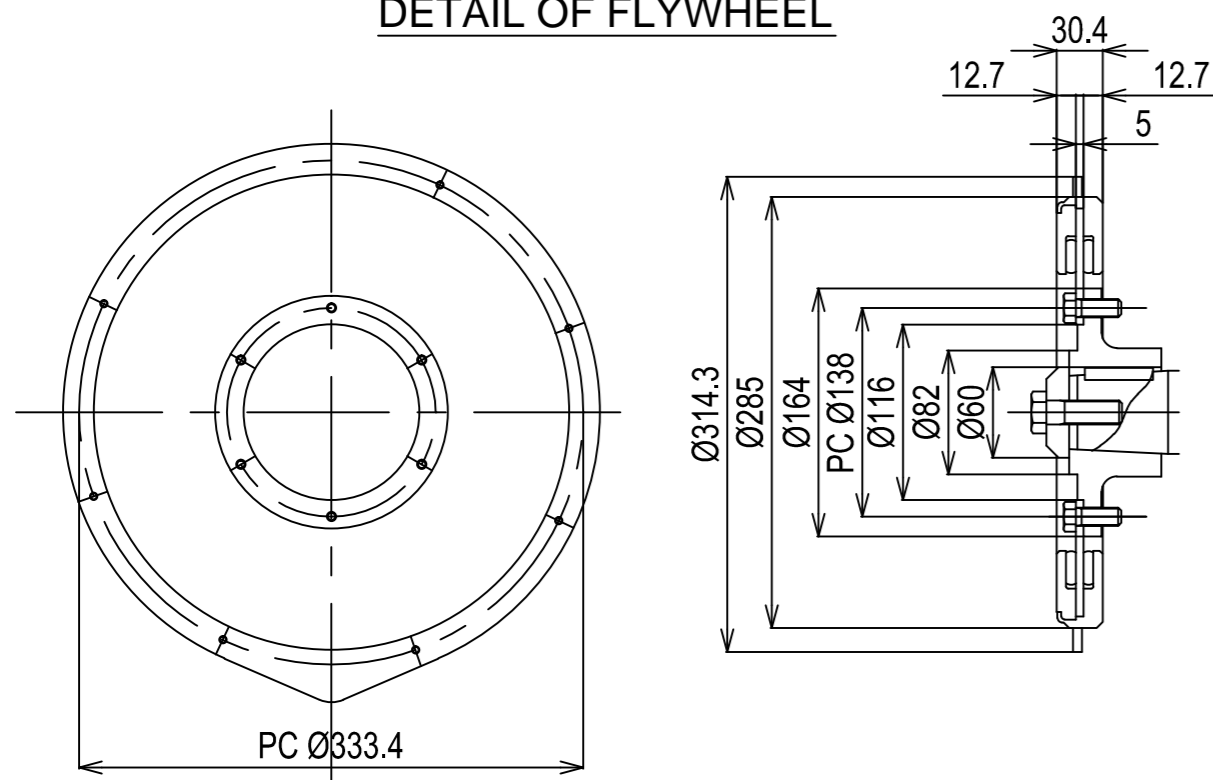
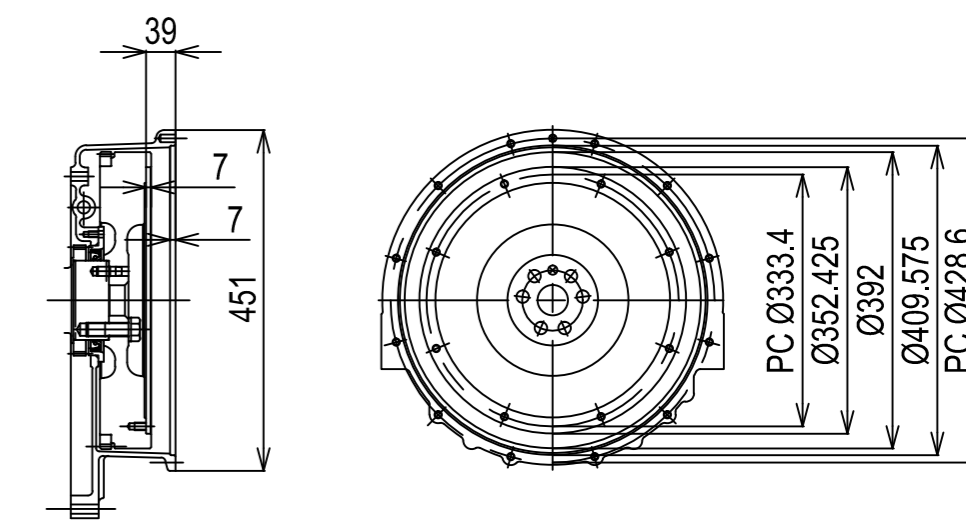


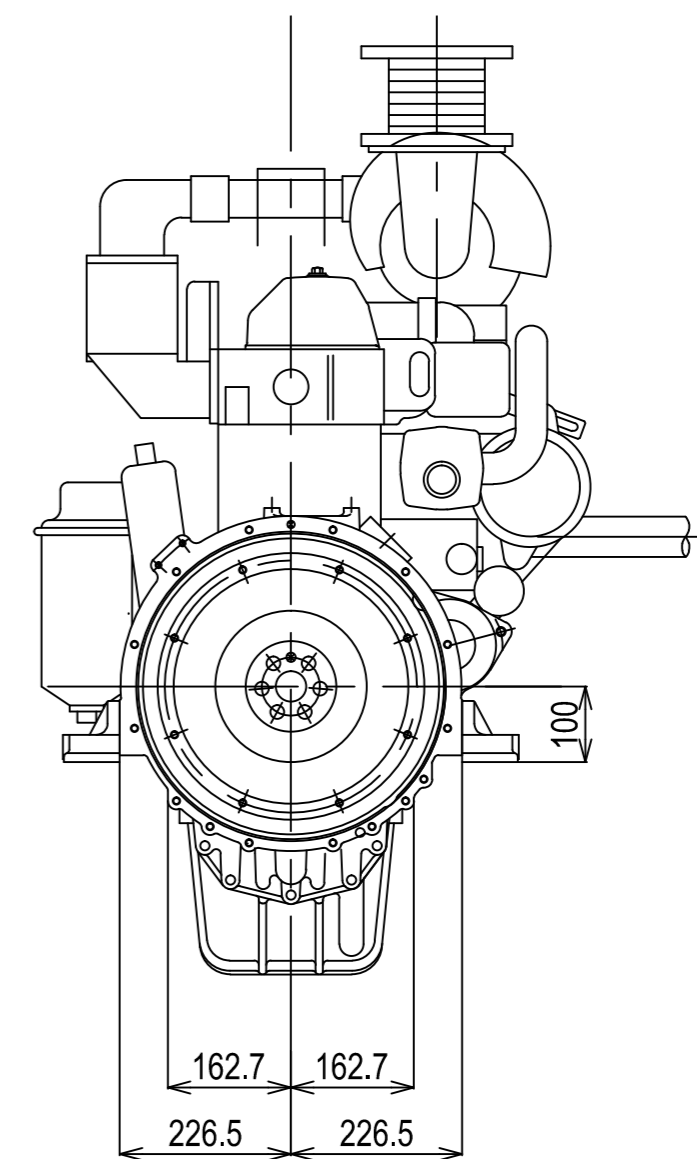
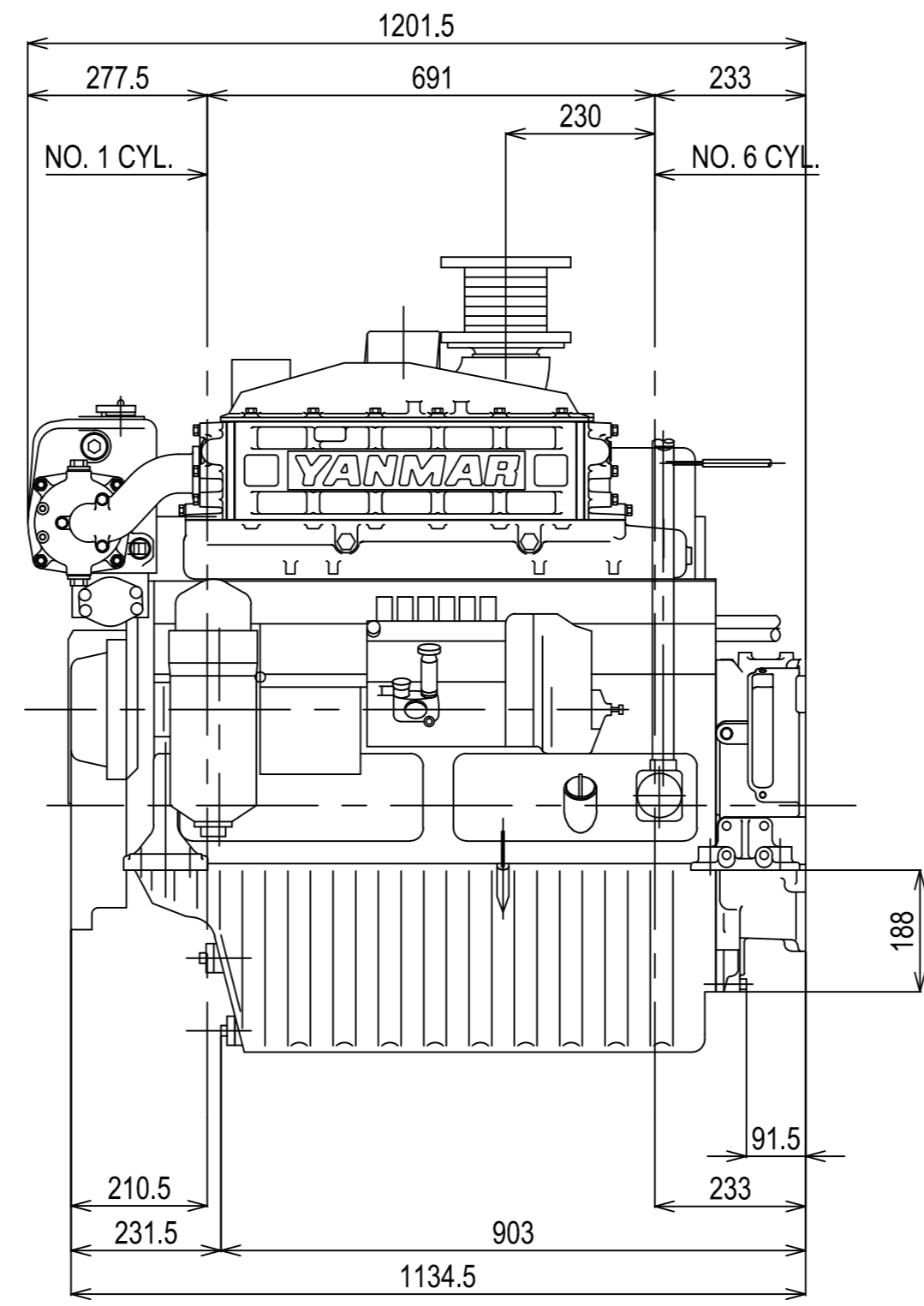
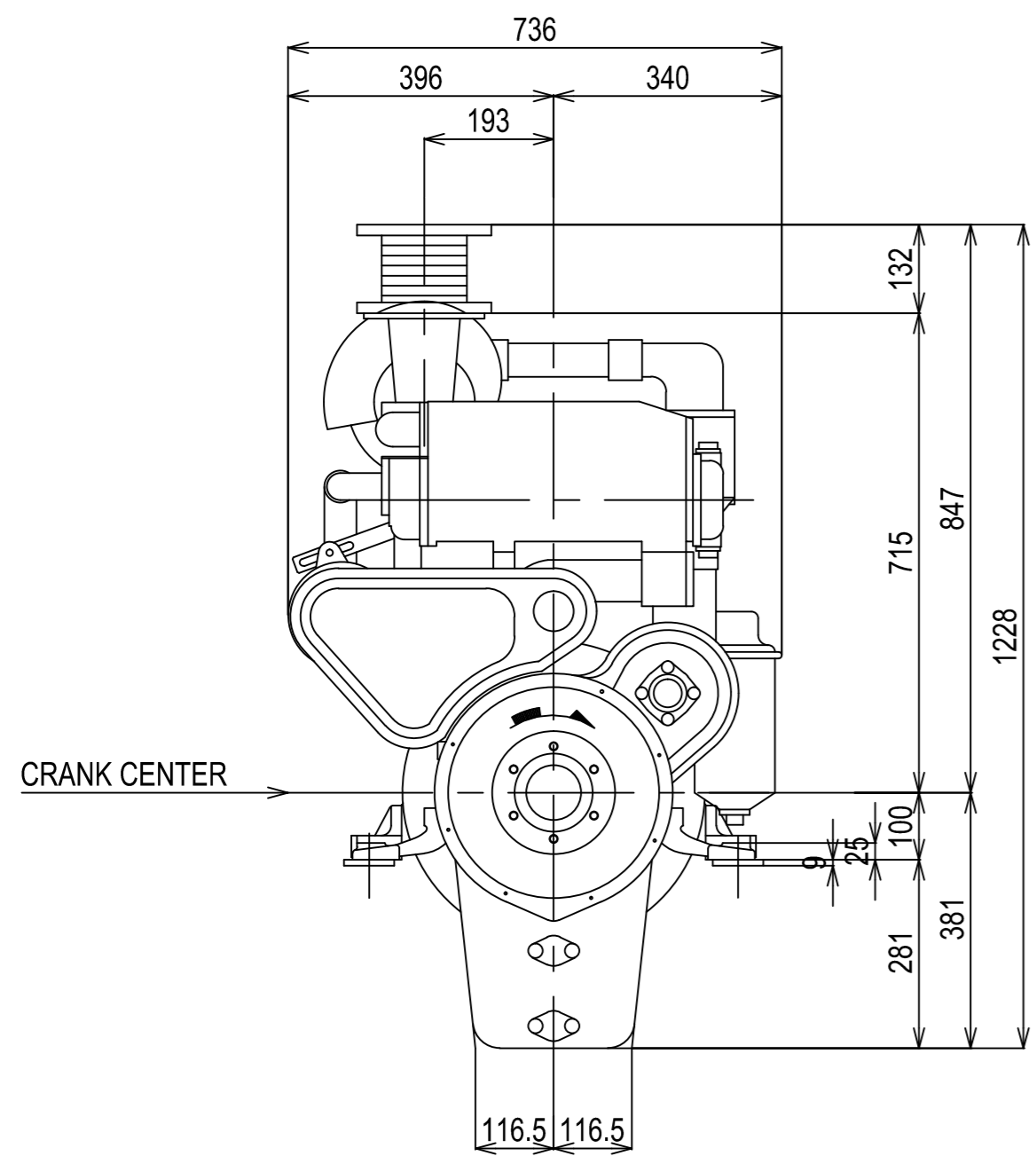
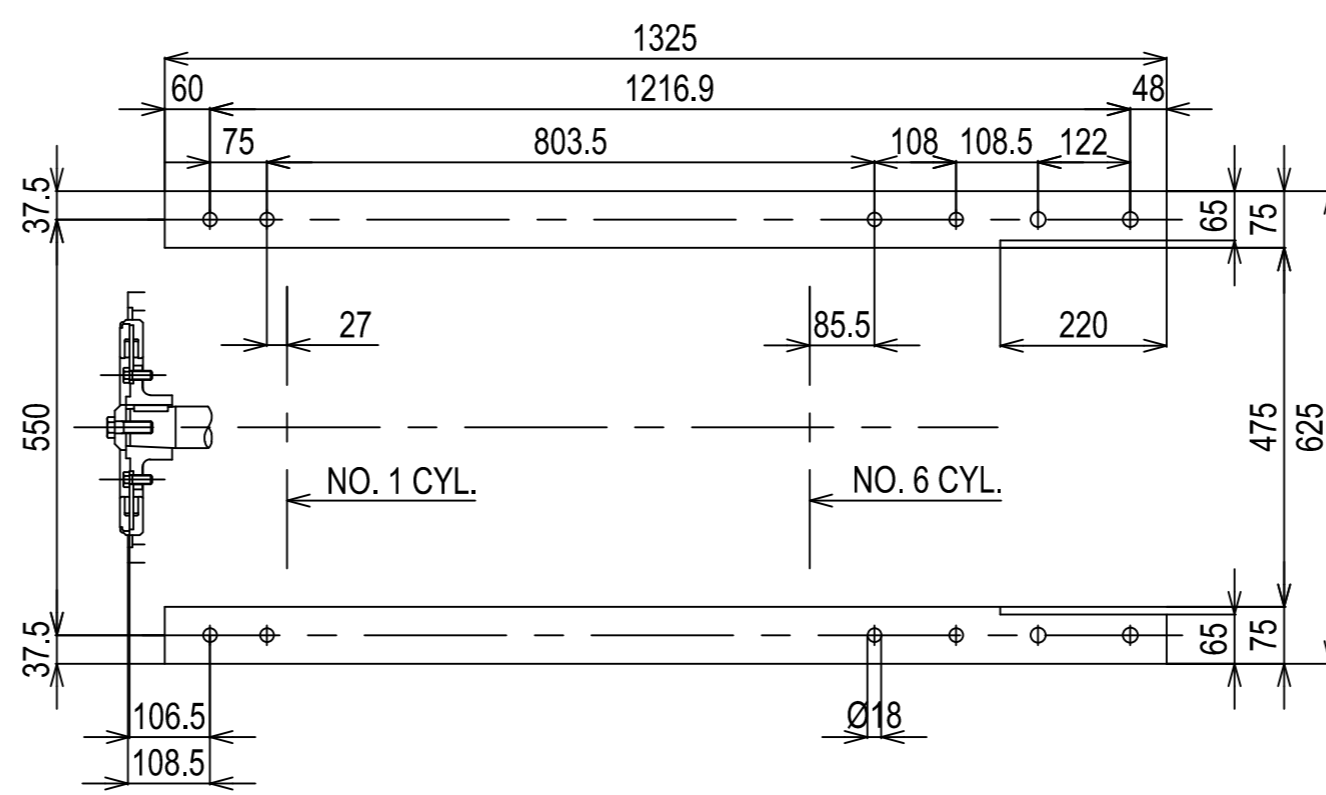
DETAIL OF FLYWHEEL



DETAIL OF FLYWHEEL



Flywheel housing & Flywheel : SAE #3 & #11-12



Series: 6CH3	Engine: 6CH-WDT	Release: R2011-1
Scale: 1:10 (1:5)	Date: 01-01-2011	Dimensions: mm

