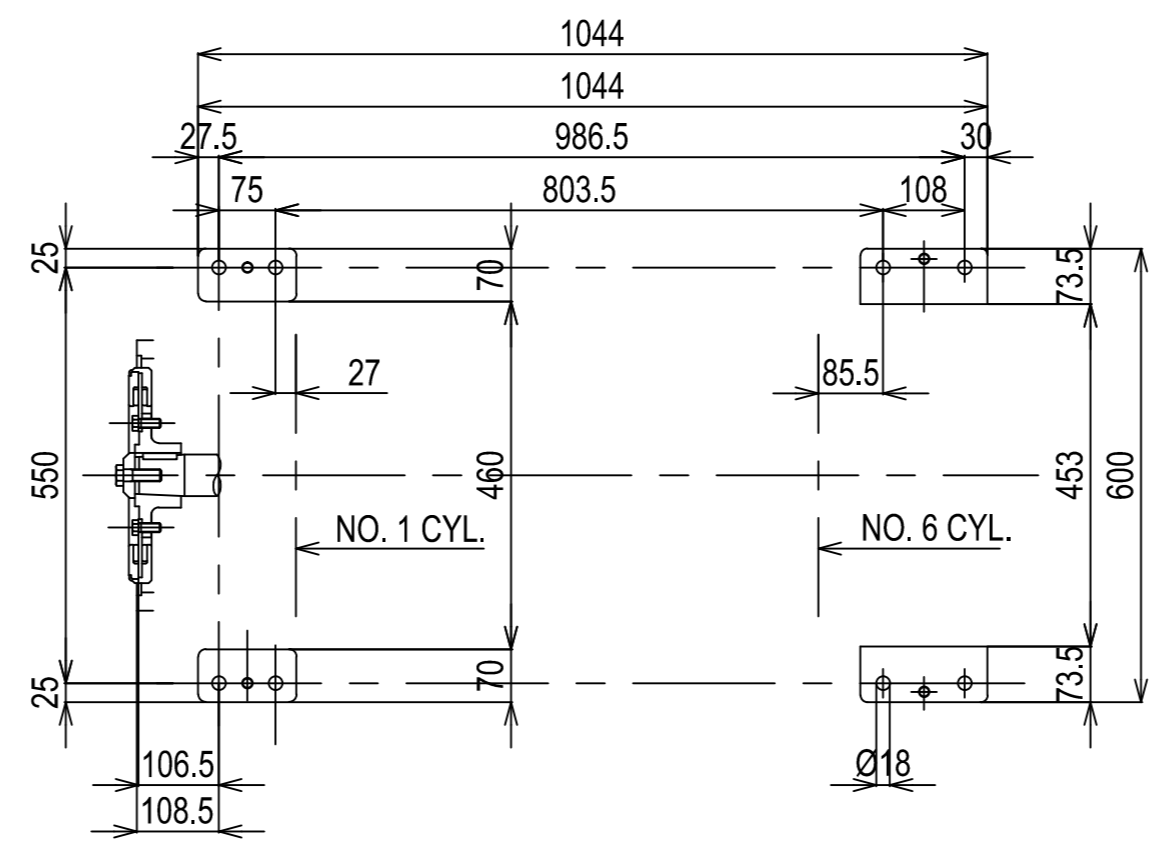
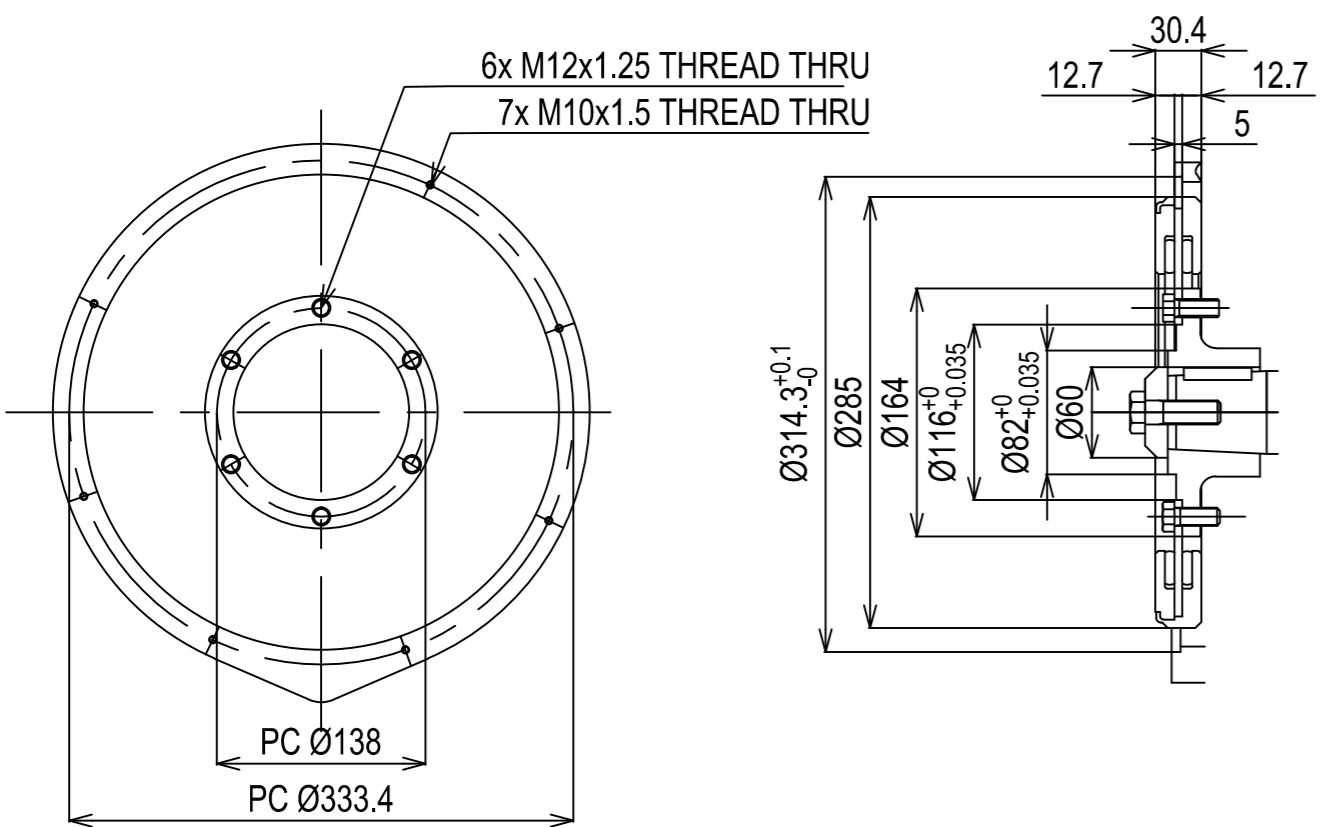
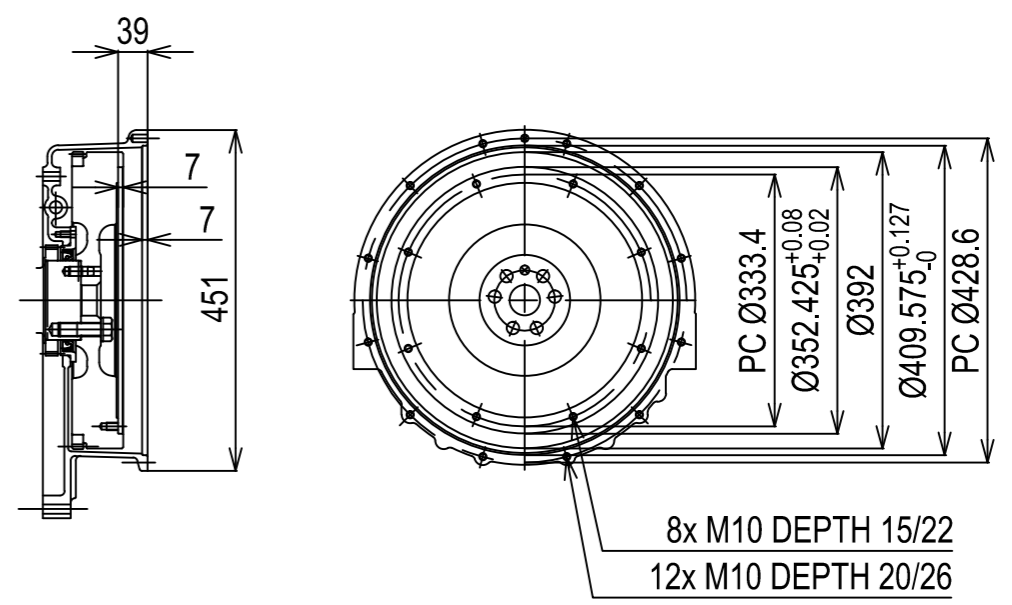


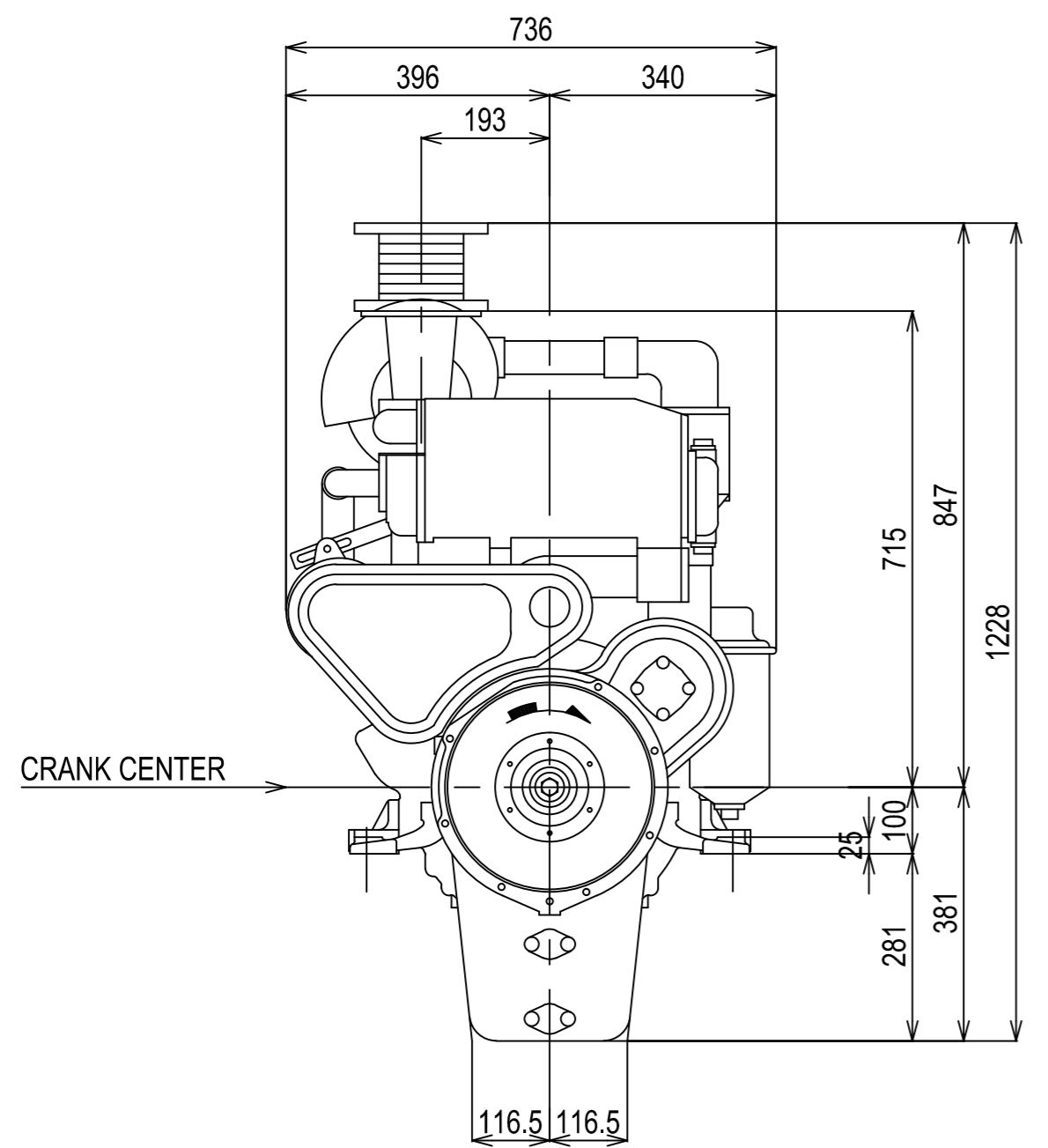
**DETAIL OF FRONT PTO (1:5)**



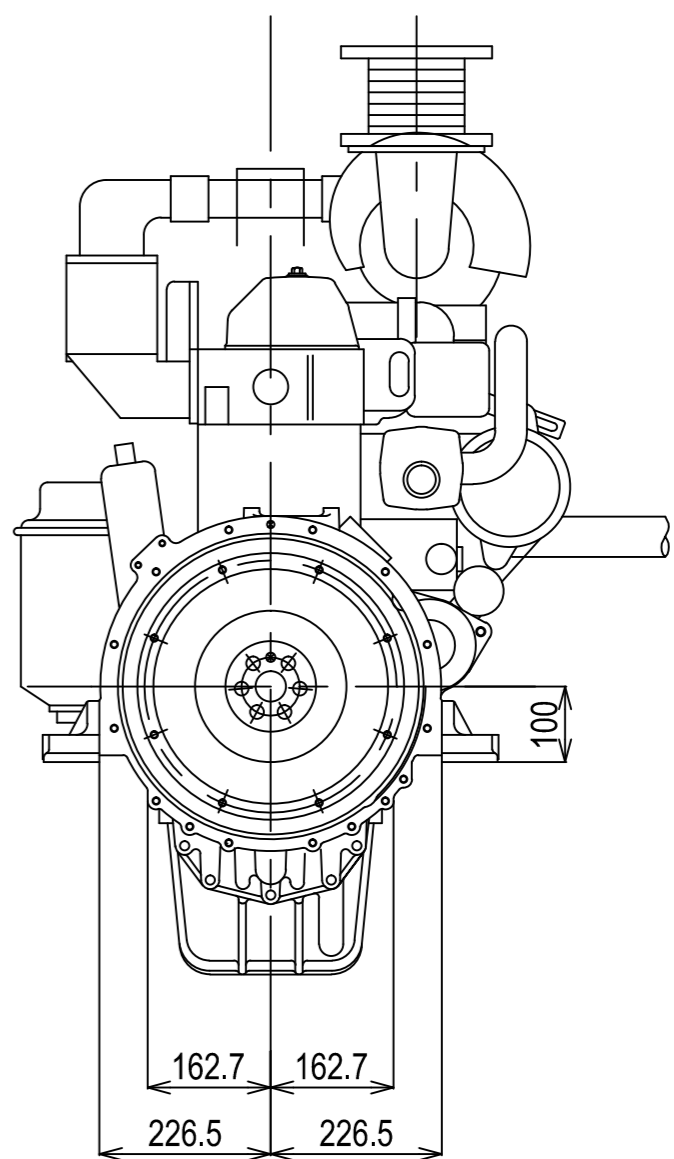
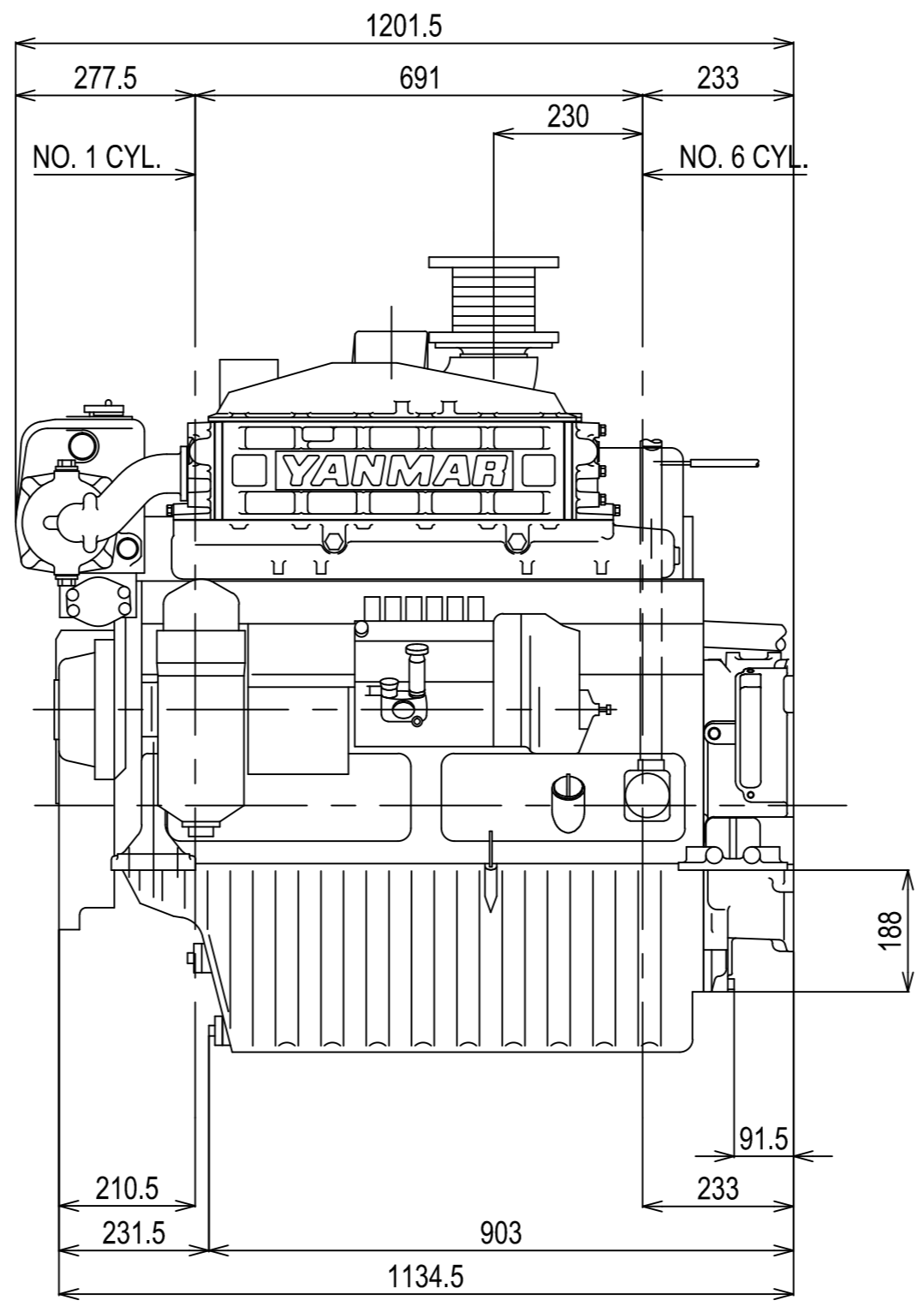
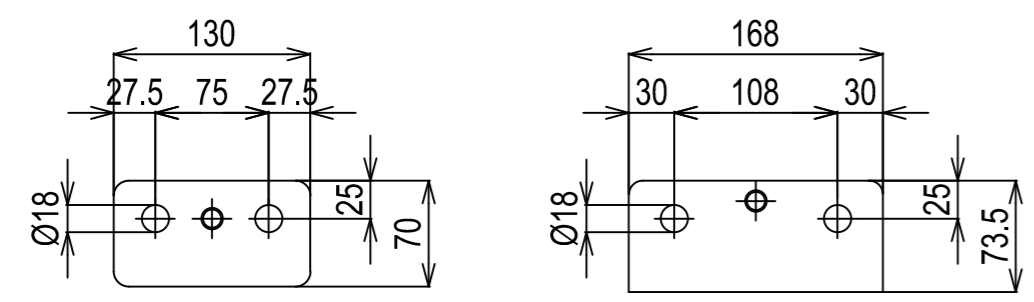
**DETAIL OF FLYWHEEL**



Flywheel housing & Flywheel : SAE #3 & #11-1/2



**DETAIL OF MOUNTING BLOCK (1:5)**



Series: 6CH3	Engine: 6CHE-HTE3	Release: R2011-1
Scale: 1:10 (1:5)	Date: 01-02-2011	Dimensions: mm

