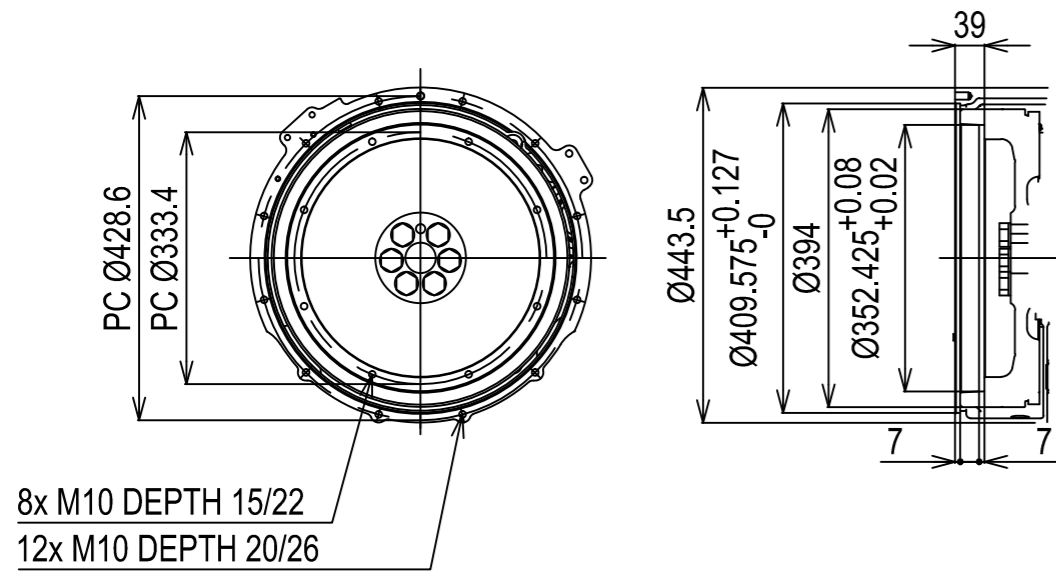
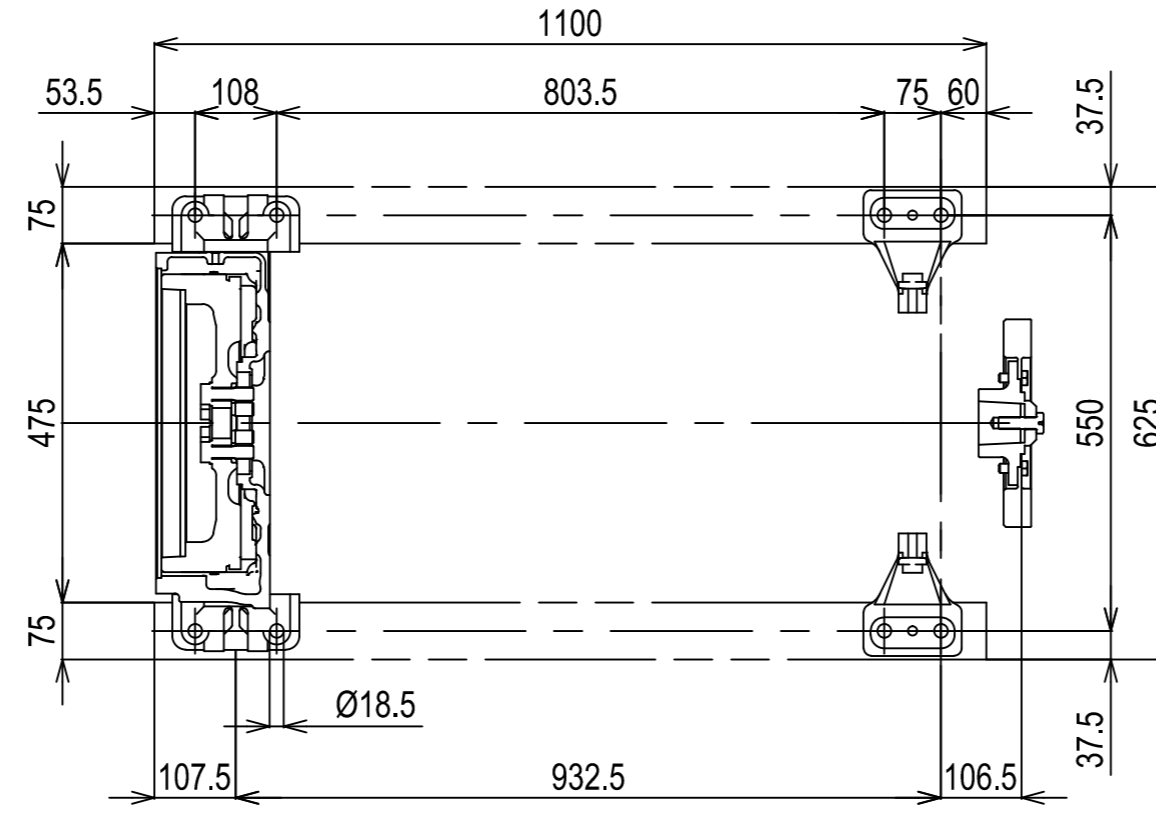


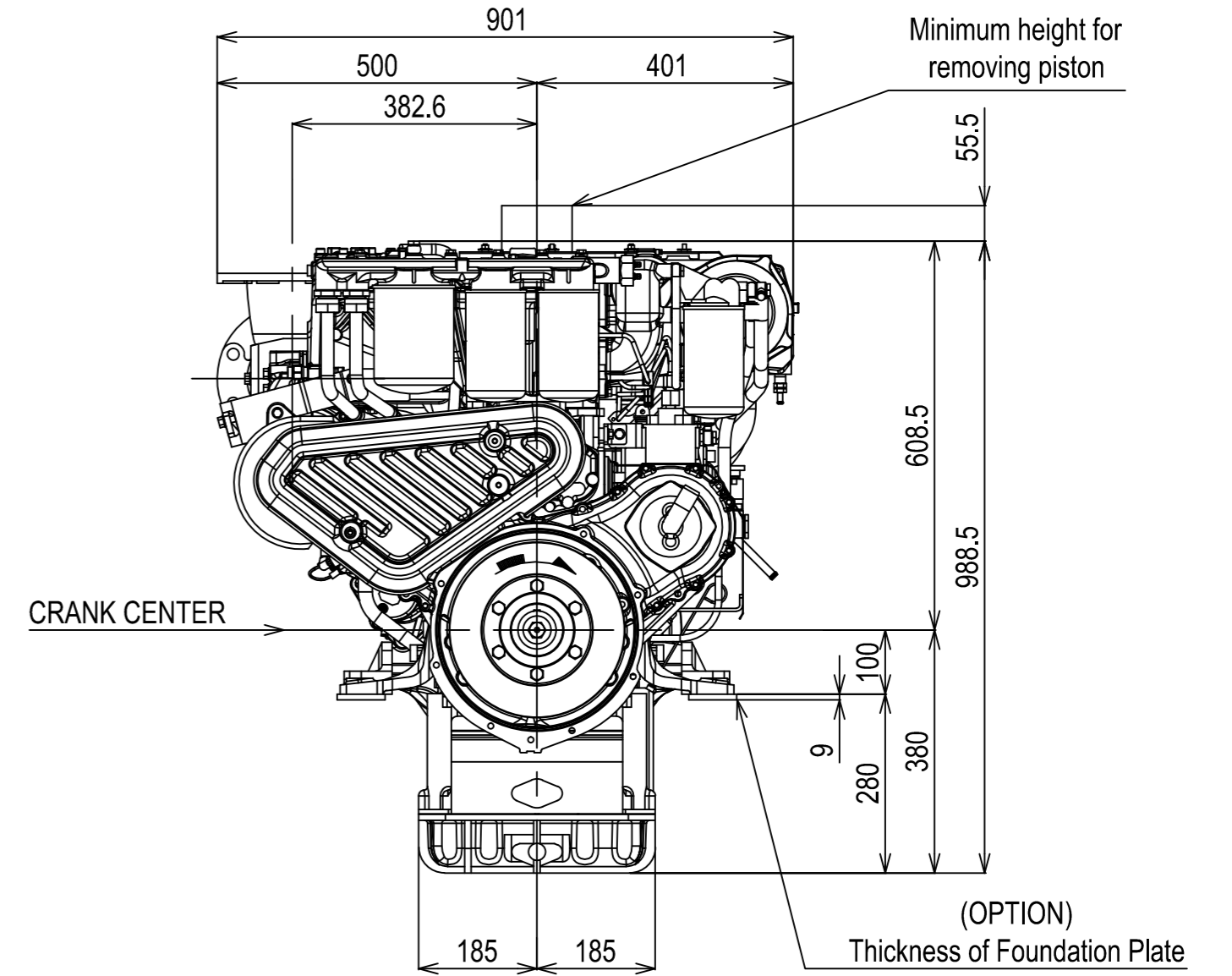
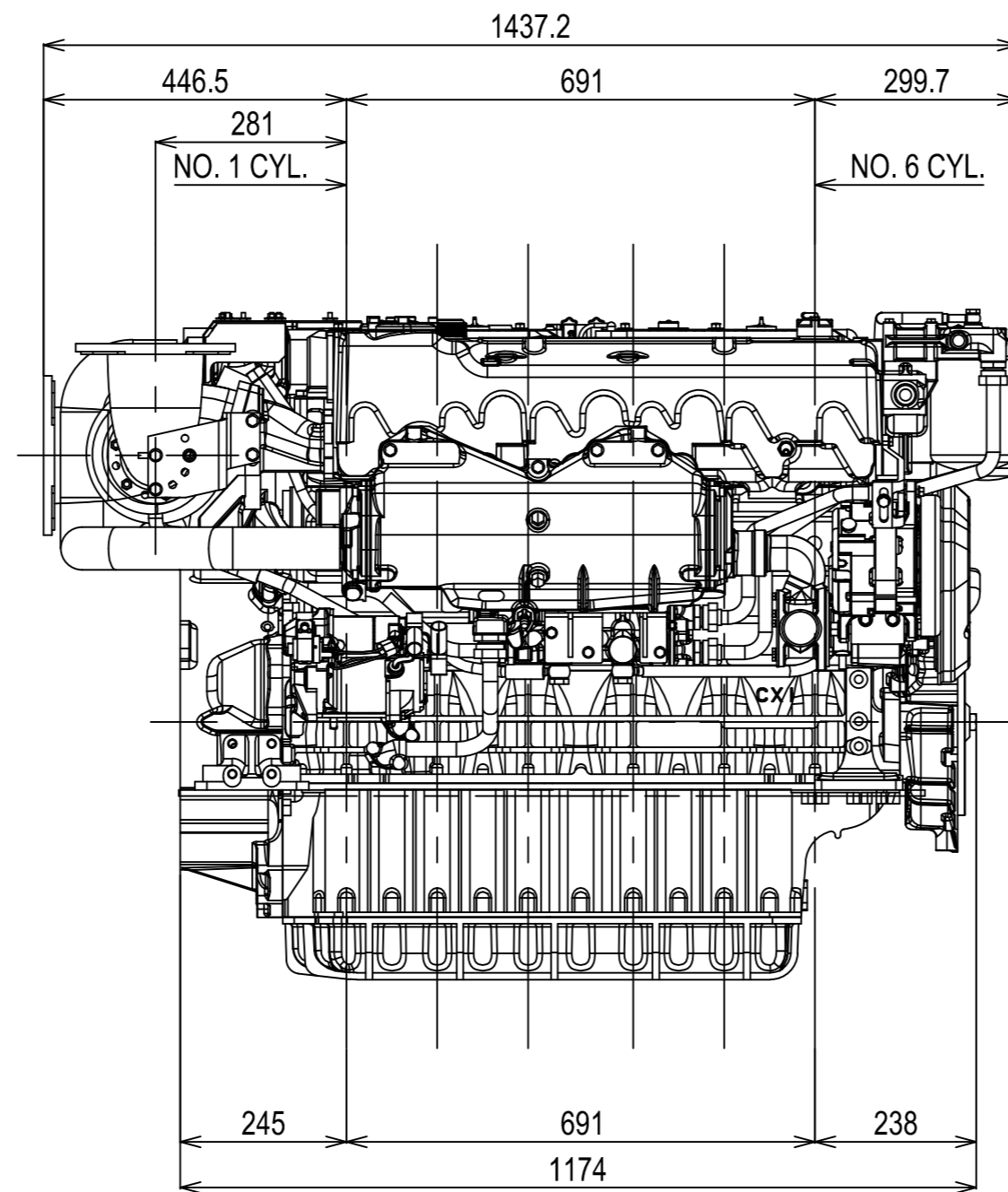
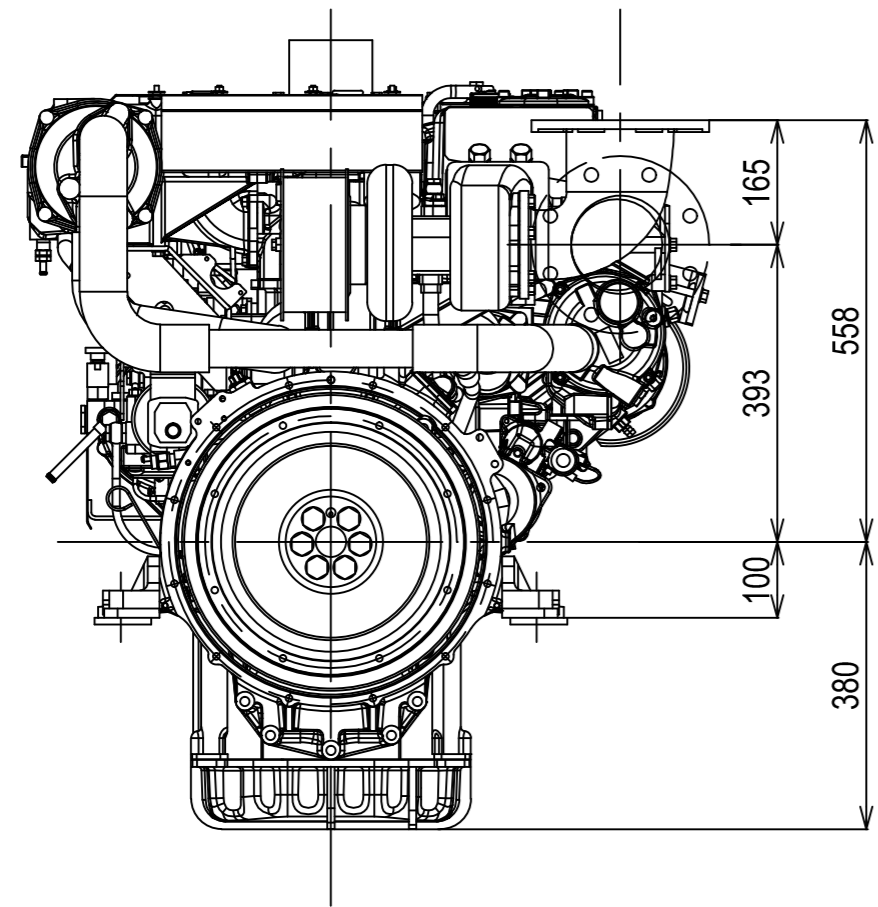
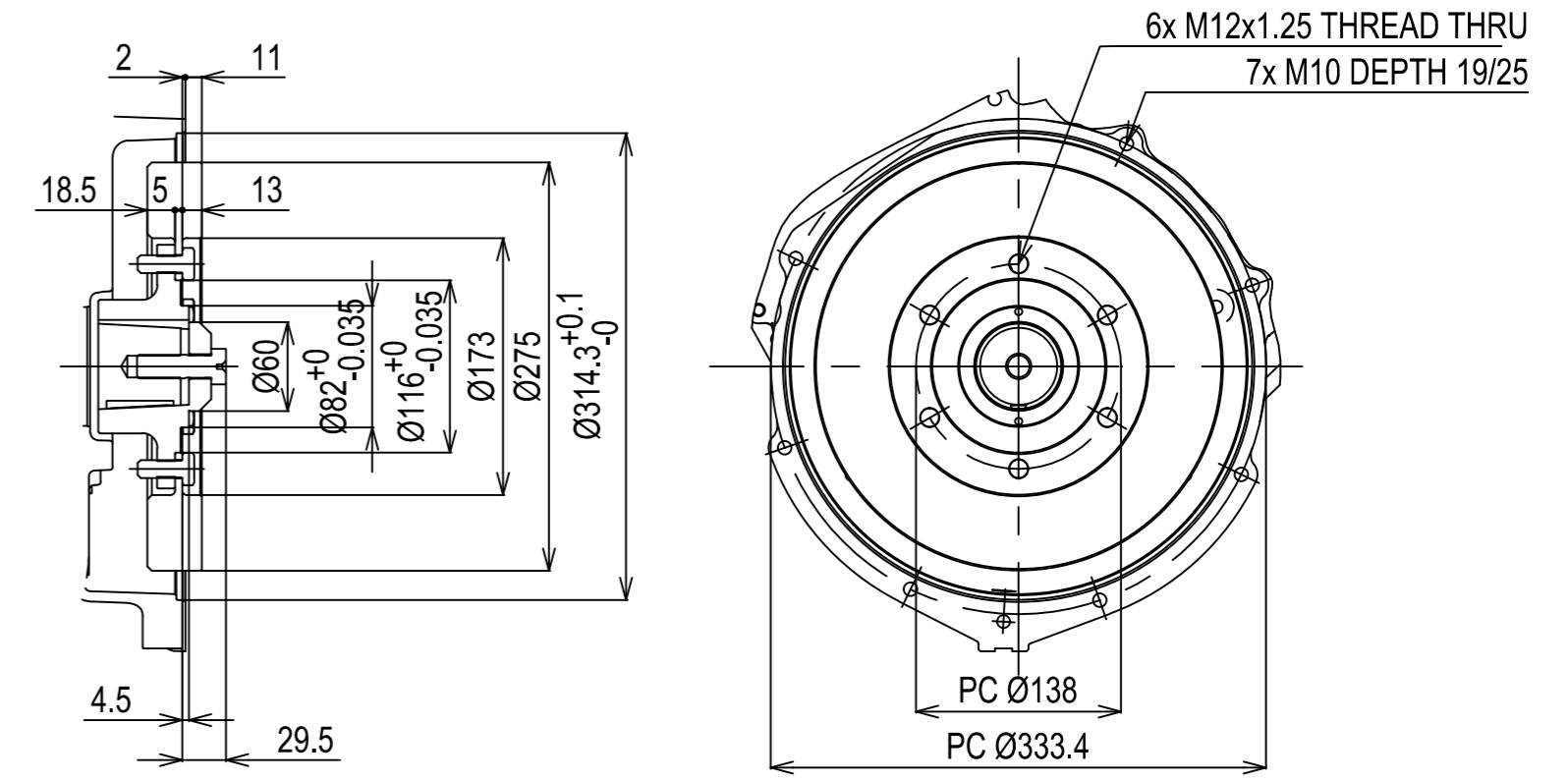
DETAIL OF FLYWHEEL



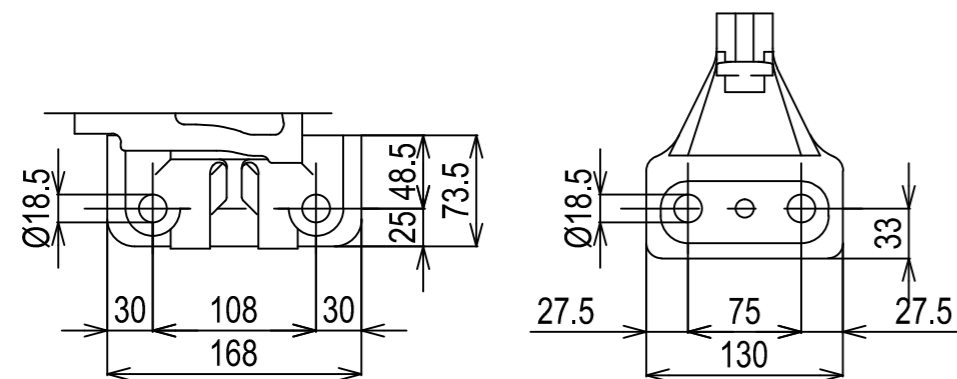
Flywheel housing & Flywheel : SAE #3 & #11-1/2



DETAIL OF FRONT PTO (1:5)



DETAIL OF MOUNTING BLOCK (1:5)



Series: 6CXBM	Engine: 6CXBM-GT	Release: R2011-1
Scale: 1:10 (1:5)	Date: 01-02-2011	Dimensions: mm

