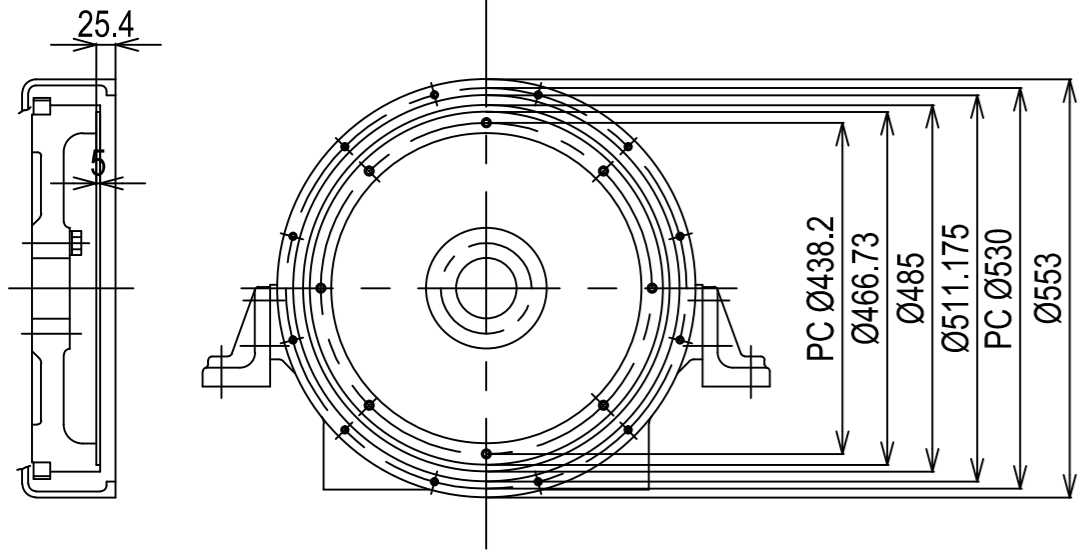
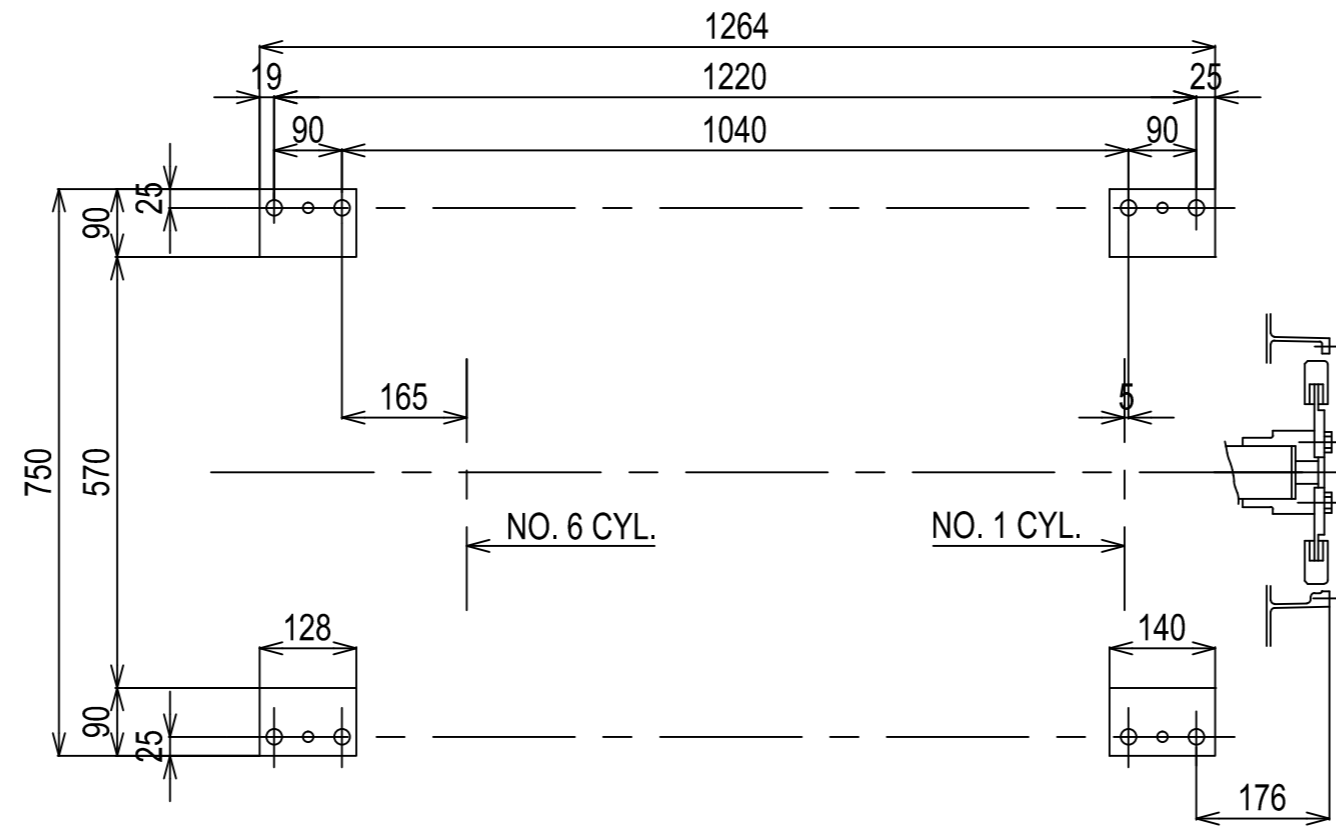


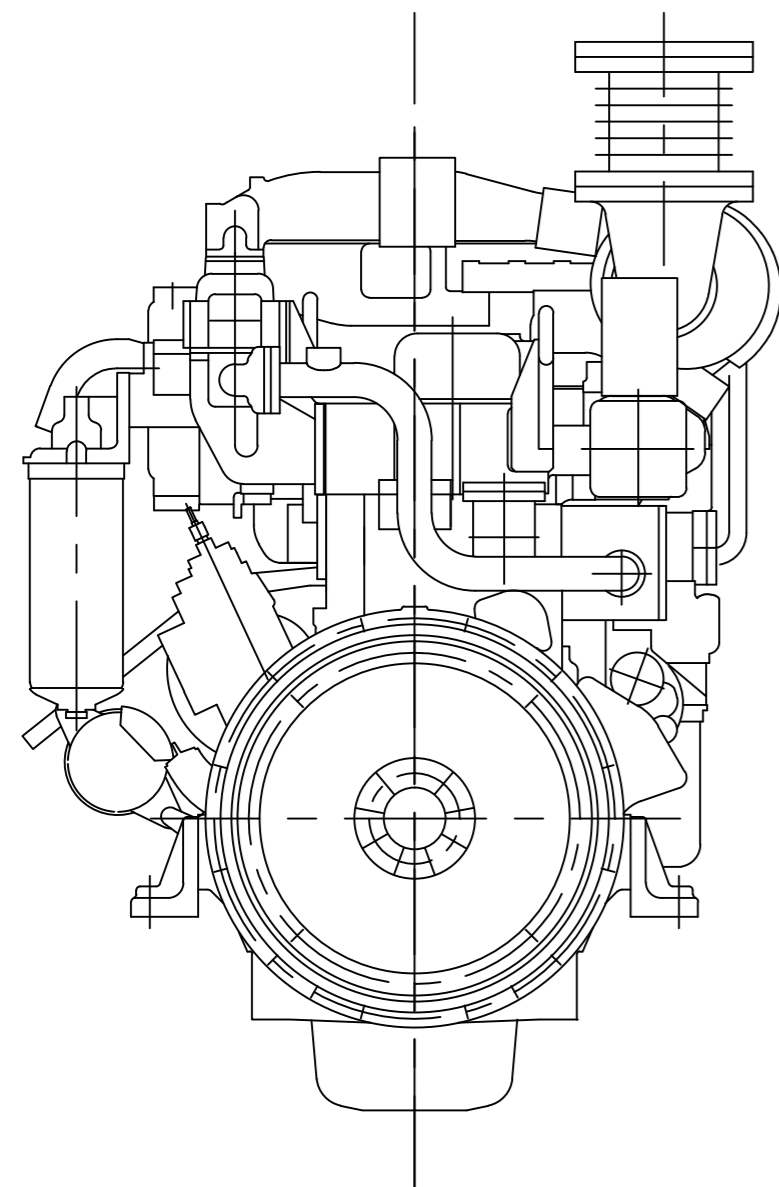
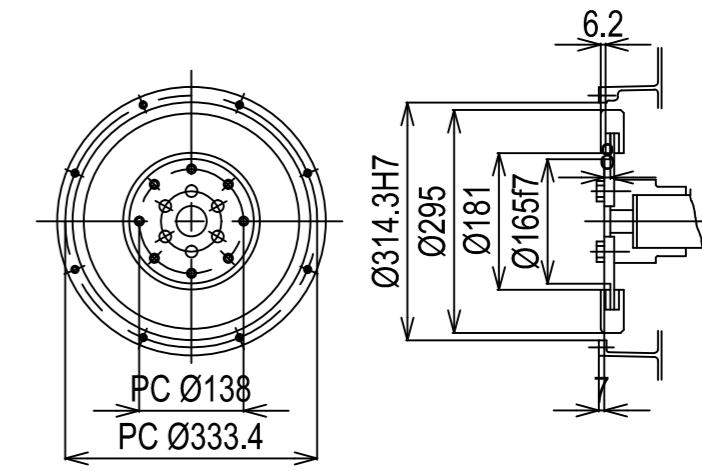
**DETAIL OF FLYWHEEL**



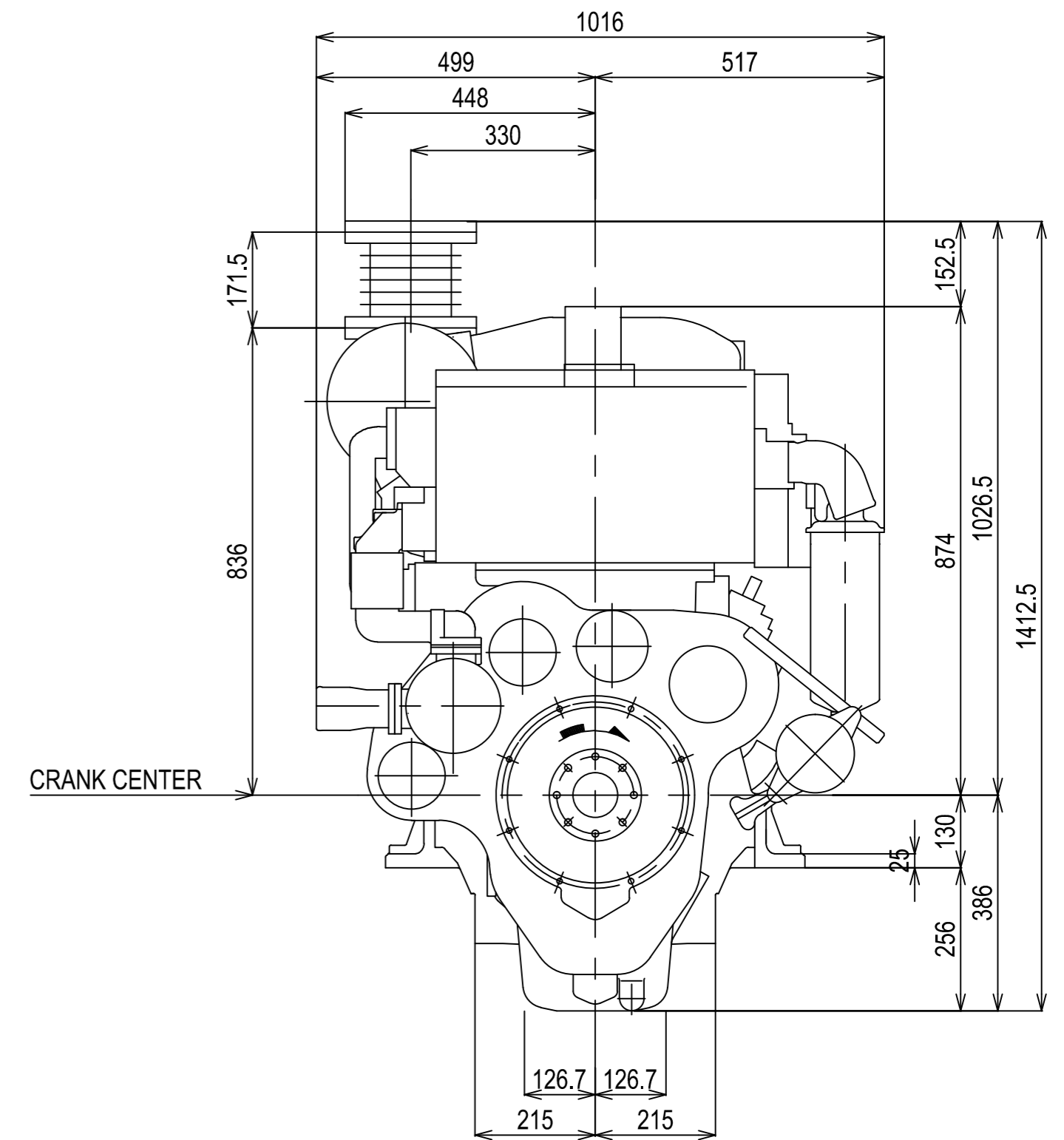
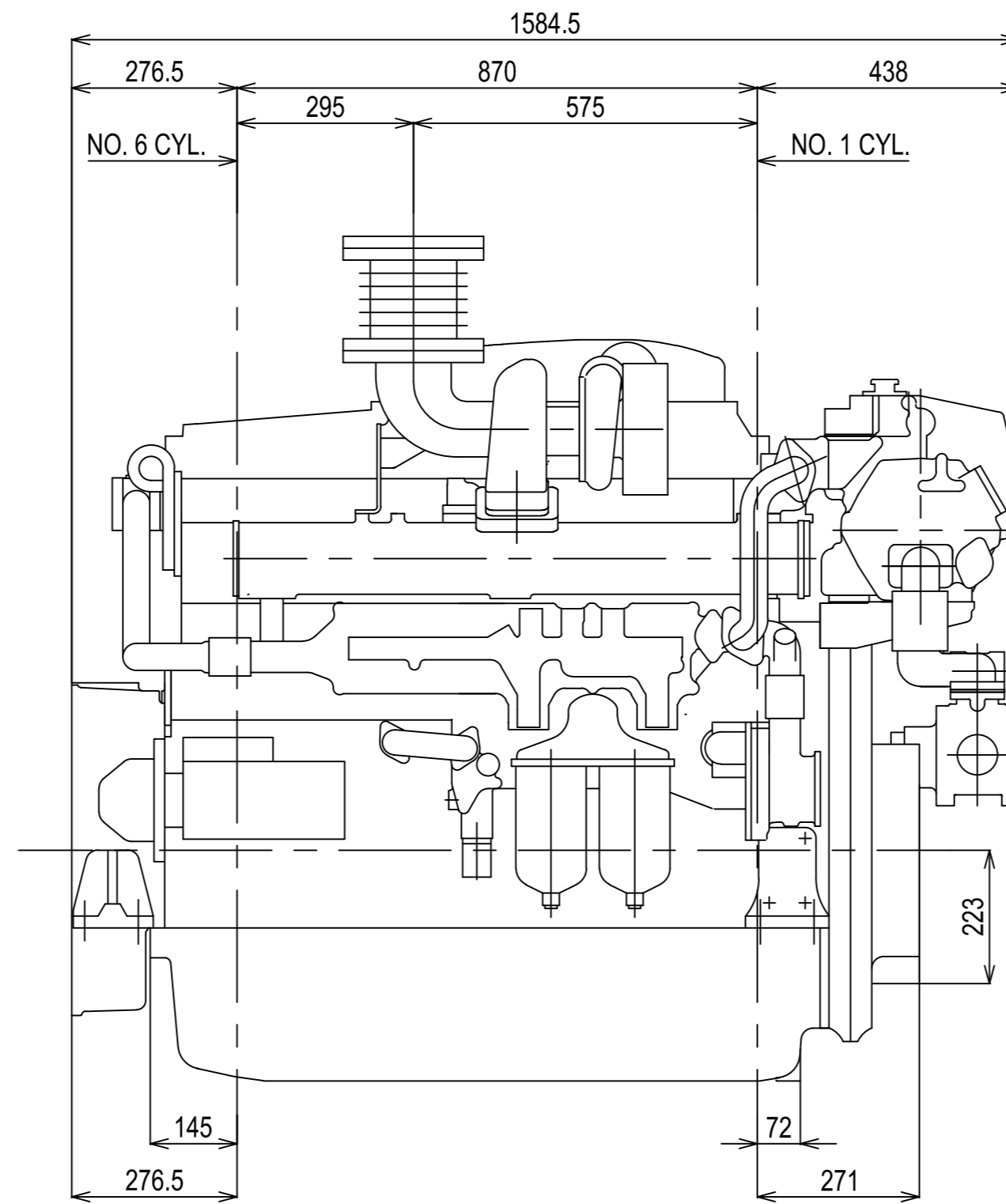
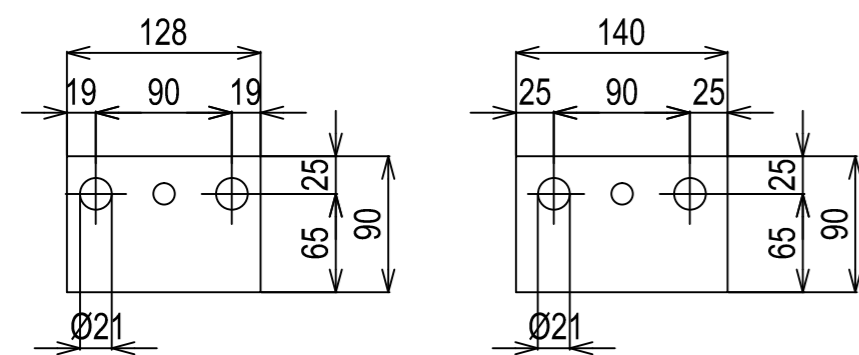
Flywheel housing & Flywheel : SAE #1 & #14



**DETAIL OF FRONT PTO**



**DETAIL OF MOUNTING BLOCK**



Series: HA2	Engine: 6HA2M-WHT	Release: R2011-1
Scale: 1:10 (1:5)	Date: 01-01-2011	Dimensions: mm

