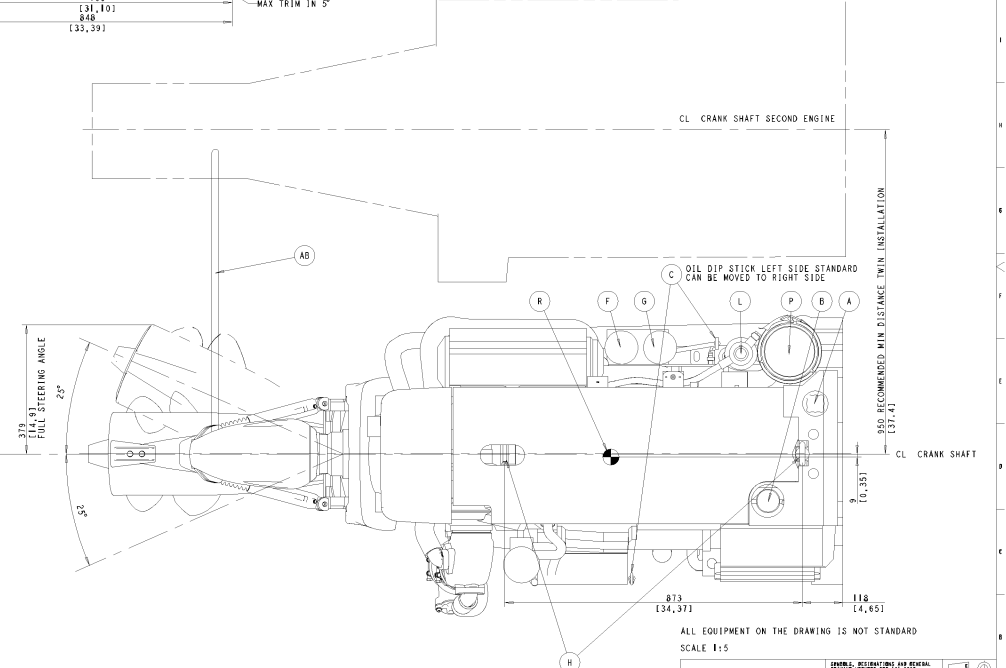
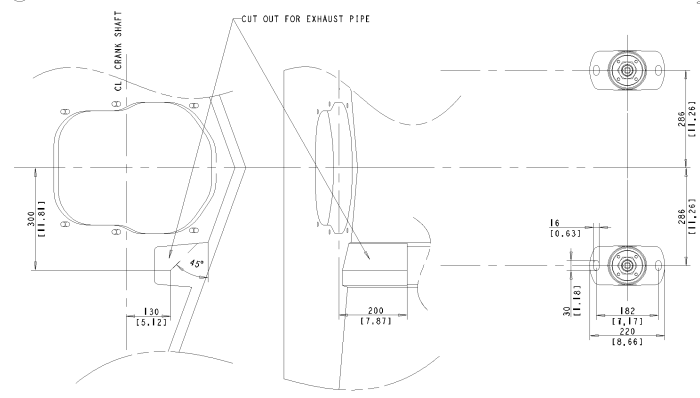
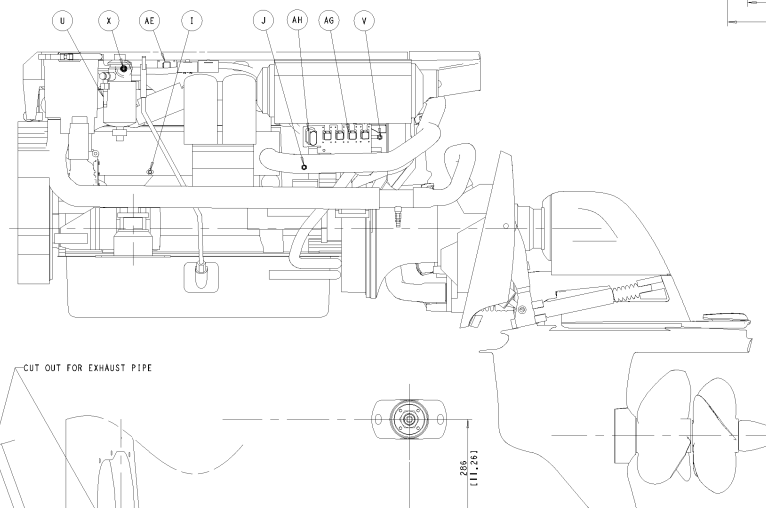
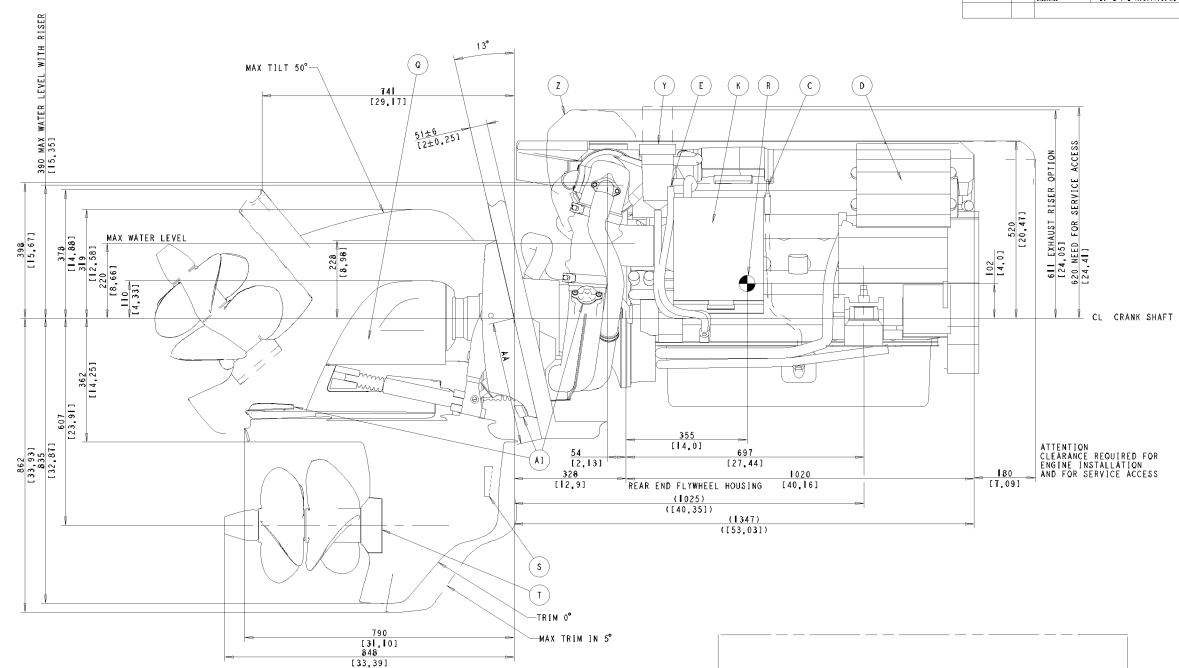
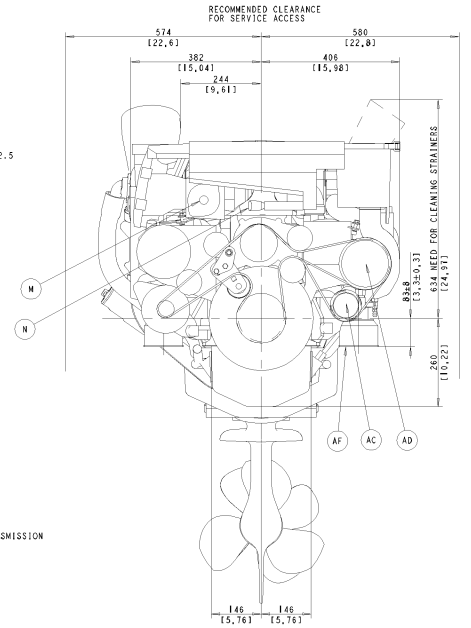


- (A) WATER FILLER CAP, FRESH WATER
- (B) OIL FILLER CAP, ENGINE
- (C) OIL DIP STICK, ENGINE LEFT OR RIGHT SIDE MOUNTED
- (D) ECU CONTROL UNIT
- (E) OIL DRAIN (WITH PIPE), ENGINE Ø12.5
- (F) OIL FILTER MAIN
- (G) OIL FILTER BYPASS
- (H) LIFTING EYE
- (I) WATER DRAIN, FRESH WATER
- (J) WATER DRAIN, SEA WATER
- (K) AIR FILTER
- (L) FUEL FILTER
- (M) HOT WATER OUTLET Ø16
- (N) HOT WATER INLET Ø16
- (P) STRAINER SEA WATER
- (Q) OIL DIP STICK DRIVE (UNDER COVER)
- (R) CENTRE OF GRAVITY ENGINE AND TRANSMISSION
- (S) WATER INLET DRIVE
- (T) OIL DRAIN DRIVE (BEHIND ADAPTER)
- (U) FUEL INLET CONNECTION Ø10
- (V) FUEL RETURN TO TANK Ø10
- (X) ENGINE STOP
- (Y) CRANK CASE VENTILATION
- (Z) EXHAUST RISER Ø121 (5") (OPTION)
- (AA) X-MEASUREMENT SEE 7742299-6
- (AB) TIE BAR (TWIN INSTALLATION)
- (AC) EXTRA ALTERNATOR (OPTION)
- (AD) POWER STEERING PUMP (OPTION)
- (AE) SEA WATER PUMP
- (AF) DIAGNOSE CONNECTOR
- (AG) ELASTIC SUSPENSION (2x)
- (AH) DATALINK, SENDER AND AUX (2x)
- (AI) POWER SUPPLY, POWER TRIM PUMP
- (AJ) ANODE



ALL EQUIPMENT ON THE DRAWING IS NOT STANDARD
 SCALE 1:5

No. of copies: 1 Date: 2019-04-15 Drawn by: [Name] Checked by: [Name]	ENGINE DIMENSIONS D6 400 AG-DRIVE DPH DIMENSION DRAWING Part: 21912447	02
--	---	----