

Marine Diesel Engines

M4.55

M4.56

Parts catalogue

Deze onderdelencatalogus bevat waardevolle informatie voor onderhoud en service aan uw motor.

Wij adviseren U, bij vervanging alleen originele **VETUS** onderdelen toe te passen.

Het typeplaatje bevat informatie over de typeaanduiding, het motornummer en de serie.

Gebruik deze informatie bij bestelling van onderdelen.

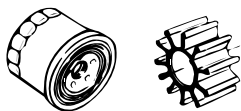
This parts' catalogue contains valuable information for maintenance and service over your engine.

For replacement, we recommend that you use only genuine **VETUS** parts.

The identification tag contains information about model, serial number and series.

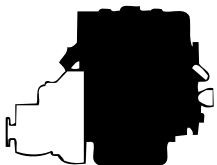
Use this information when ordering parts.

1



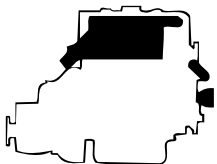
Reserve kits
Spare parts kit

2



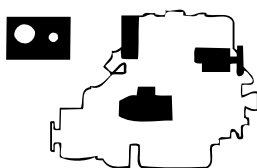
Motor
Engine

3



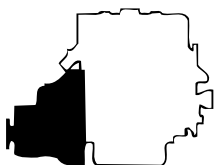
Koeling
Cooling

4



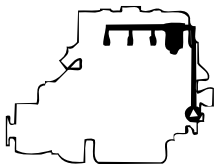
Electra, bediening en instrumenten
Electrics, controls, instruments

5



Aandrijving
Transmission

6



Brandstofsysteem
Fuel system

7

Generator
Generator

8

Gereedschappen
Tools

9

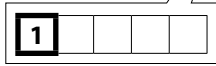
10

Accessoires
Optionals

M4.15 M4.17 Servicekit Service kit

oms.	qty	part	benaming	description
1	1	STM3050	Brandstoffilter	Fuel filter
2	1	STM3076	Injectief + pakking zeesaierpomp	Injector + gasket seawater pump
3	1	STM3051	Oilfilter	Oil filter
4	1	STM3066	Vibratie 110 A dynamo	Vibrat 110 A alternator
5	1	STM3450	Service kit opt. 102 A dynamo	Service kit opt. 102 A dynamo
1	1	STM3450	Service kit opt. 110 A dynamo	Service kit opt. 110 A dynamo

113831.01 113831.01 Rev. 0 1-1



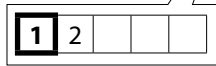
De volledige stuklijst staat op deze pagina.

The full parts list is shown on this page.

M4.15 M4.17 Motorblok Engine block

oms.	qty	part	benaming	description
1	1	STM7742	Motorblok	Engine block
2	1	STM7706	Motorblok	Engine block
3	3	STM7743	Kap	Cap
4	3	STM7744	Kap	Cap
5	10	STM7745	Bush	Bush
6	1	STM7746	Bush	Bush
7	1	STM7747	Geleider	Guide
8	1	STM7747	Kap	Cap
9	3	STM7748	Kap	Cap
10	1	STM7749	Plug	Plug
11	4	STM7750	Bus	Bush
12	2	STM3510	Bus	Bush

113831.01 113831.01 Rev. 0 2-1



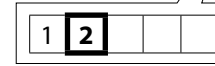
De stuklijst is verdeeld over 2 pagina's. Op deze pagina staat het **eerste** deel.

The parts list is spread over 2 pages. On this page the **first** part is shown.

M4.15 M4.17 Motorblok Engine block

oms.	qty	part	benaming	description
13	1	STM2511	Bus	Bush
14	1	STM3056	Plug	Plug
15	1	STM7751	Pin	Pin
16	2	STM3482	Pin	Pin
17	1	STM7752	Ax	Shaft
18	1	STM7753	Kogel	Ball
19	1	STM7754	Ax	Shaft
20	4	STM7755	Akkoordring	Seal
21	1	STM7756	Ax	Shaft
22	2	STM7757	Pin	Pin
23	1	STM7758	Plug	Plug
24	1	STM3507	Kap	Cap

113831.01 113831.01 Rev. 0 2-2



De stuklijst is verdeeld over 2 pagina's. Op deze pagina staat het **tweede** deel.

The parts list is spread over 2 pages. On this page the **second** part is shown.

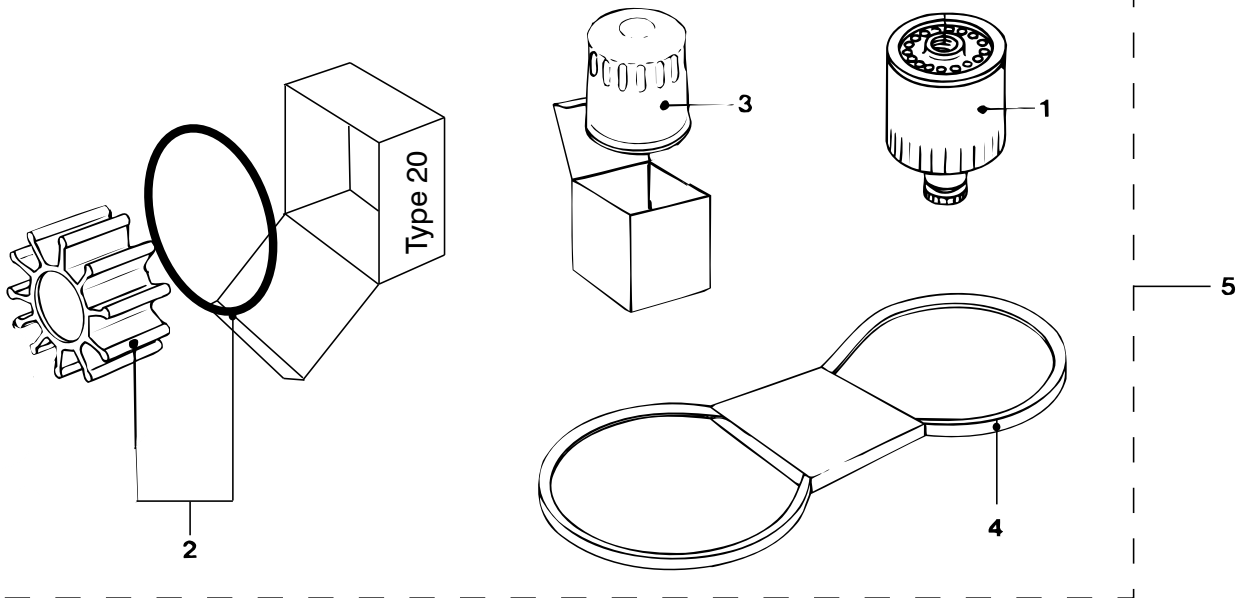
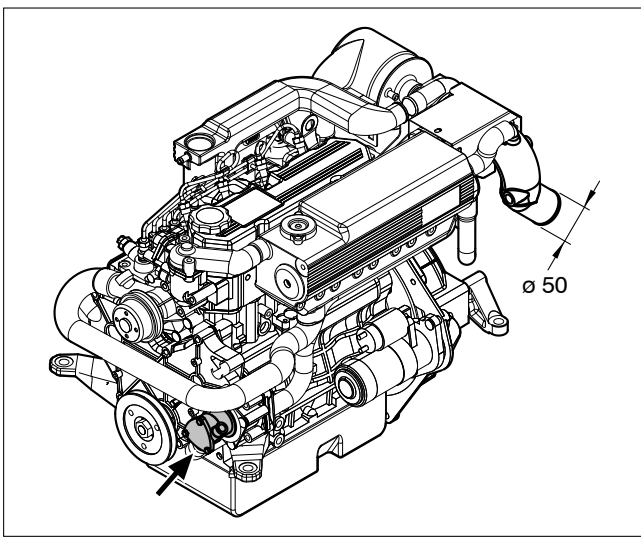
Inhoud

Contents

pag. page	type	omschrijving	description
1-1	M4.55	Servicekit, voor zeewaterpomp type 20	Service kit, for sea water pump type 20
1-2	M4.55 M4.56	Servicekit, voor zeewaterpomp type 40	Service kit, for sea water pump type 40
2-1	M4.55 M4.56	Motorblok	Engine block
2-2	M4.55 M4.56	Motorblok	Engine block
2-3	M4.55 M4.56	Motorblok	Engine block
2-4	M4.55 M4.56	Krukas + zuiger	Crankshaft + piston
2-5	M4.55 M4.56	Krukas + zuiger	Crankshaft + piston
2-6	M4.55 M4.56	Kleppen	Valves
2-7	M4.55 M4.56	Kleppen	Valves
2-8	M4.55 M4.56	Cilinderkop	Cylinder head
2-9	M4.55 M4.56	Kleppendeksel + nokkenas	Rocker cover + camshaft
2-10	M4.55 M4.56	PTO	PTO
2-11	M4.55 M4.56	PTO	PTO
2-12	M4.55 M4.56	Carterpan + oliepomp	Oil pan + oil pump
2-13	M4.55	Oliekoeler 06-2009 <-	Oil cooler 06-2009 <-
2-14	M4.55 M4.56	Oliekoeler 06-2009 ->	Oil cooler 06-2009 ->
2-15	M4.55	Oliepeilstok	Oil dipstick
2-16	M4.56	Oliepeilstok	Oil dipstick
2-17	M4.55 M4.56	Luchtinlaat	Air intake
2-18	M4.55 M4.56	Revisie pakkingset	Overhaul gasket kit
2-19	M4.55 M4.56	Revisie pakkingset	Overhaul gasket kit
2-20	M4.55	Luchtinlaatkast	Air intake housing
2-21	M4.56	Luchtinlaatkast	Air intake housing
2-22	M4.55	Luchtfilter	Air cleaner
2-23	M4.56	Luchtfilter	Air cleaner
2-24	M4.55 M4.56	Motorsteunen	Engine supports
2-25	M4.55 M4.56	Turbocompressor	Turbo compressor
2-26	M4.55 M4.56	Turbo smeerolie	Turbo lubricating oil
2-27	M4.55 M4.56	Afschermkap 2016-04 <-	Protection cover 2016-04 <-
2-28	M4.55 M4.56	Afschermkap 2016-04 ->	Protection cover 2016-04 ->
2-29	M4.56	Olieaftappomp	Oil drain pump
2-30			
3-1	M4.55 M4.56	Circulatiepomp	Circulation pump
3-2	M4.55 M4.56	Warmtewisselaar unit	Heat exchanger unit
3-3	M4.55	Kielkoelspruitstuk	Keel cooler manifold
3-4	M4.55	Kielkoelspruitstuk	Keel cooler manifold
3-5	M4.55	Aansluiting circulatiepomp, kielkoeling	Connection of circulation pump, keel cooling
3-6	M4.55 M4.56	Thermostaathuis	Thermostat housing
3-7	M4.55	Slangen - koelsysteem, binnenwater 06-2009 <-	Hoses - cooling system, coolant 06-2009 <-
3-8	M4.55	Slangen - koelsysteem, binnenwater 06-2009 ->	Hoses - cooling system, coolant 06-2009 ->

pag. page	type	omschrijving	description
3-9	M4.56	Slangen - koelsysteem, binnenwater	Hoses - cooling system, coolant
3-10	M4.56	Bovenkap interkoeling	Upper cover intercooling
3-11	M4.56	Bovenkap kielkoeling	Upper cover keel cooler
3-12	M4.55	Slangen - koelsysteem, buitenwater, zeewaterpomp type 20	Hoses - cooling system, raw water, sea water pump type 20
3-13	M4.55	Slangen - koelsysteem, buitenwater, zeewaterpomp type 40	Hoses - cooling system, raw water, sea water pump type 40
3-14	M4.55	Zeewaterpomp, type 20	Seawater pump, type 20
3-15	M4.55 M4.56	Zeewaterpomp, type 40	Seawater pump, type 40
3-16	M4.56	Slangen koelsysteem buitenwater	Hoes cooling system raw water
3-17	M4.56	Kielkoelspruitstuk	Keel cooler manifold
3-18	M4.56	Koelwaterpijp / dynamosteun, kielkoeling	Coolant pipe / alternator bracket, keel cooling
3-19	M4.56	Aansluitingen kielkoeler met oliekoeler (hydraulische keerkoppeling)	Connections keel cooler with oil cooler (hydraulic gearbox)
3-20	M4.56	Aansluitingen kielkoeler zonder oliekoeler (mechanische keerkoppeling)	Connections keel cooler without oil cooler (mechanical gearbox)
3-21	M4.56	Expansietank voor kielkoelmotoren	Headertank for keelcooled engines
3-22			
4-1	M4.55 M4.56	Startmotor	Starter motor
4-2	M4.55 M4.56	Dynamo	Alternator
4-3	M4.55	Motorbedrading en tussenkabels	Engine wiring and intermediate cables
4-4	M4.56	Motorbedrading en tussenkabels	Engine wiring and intermediate cables
4-5	M4.55	Tweede dynamo 12 V - 75 A, 1p., Interkoeling	Extension alternator 12 V - 75 A, 1p., Inter cooling
4-6	M4.55	Tweede dynamo 12 V - 75 A, 1p., Interkoeling	Extension alternator 12 V - 75 A, 1p., Inter cooling
4-7	M4.56	Tweede dynamo 12 V - 75 A, 1p., Interkoeling	Extension alternator 12 V - 75 A, 1p., Inter cooling
4-8	M4.56	Tweede dynamo 12 V - 75 A, 1p., Interkoeling	Extension alternator 12 V - 75 A, 1p., Inter cooling
4-9	M4.55	Tweede dynamo 12 V - 110 A, 1p., kielkoeling	Extension alternator 12 V - 110 A, 1p., keelcooling
4-10	M4.55	Tweede dynamo 12 V - 110 A, 1p., kielkoeling	Extension alternator 12 V - 110 A, 1p., keelcooling
4-11	M4.56	Tweede dynamo 12 V - 110 A, 1p., kielkoeling	Extension alternator 12 V - 110 A, 1p., keelcooling
4-12	M4.56	Tweede dynamo 12 V - 110 A, 1p., kielkoeling	Extension alternator 12 V - 110 A, 1p., keelcooling
4-13	M4.55 M4.56	Zenders + schakelaars	Sender units + switches
4-14	M4.55 M4.56	Instrumenten paneel '22' standaard	Instrument panel '22' standard
4-15	M4.55 M4.56	Instr. paneel model '22' voor motor met 2e dynamo, kielkoeling	Instr. panel model '22' for engine with 2nd alternator, keel cooling
4-16	M4.55 M4.56	Instr. paneel model '34'	Instr. panel model '34'
4-17	M4.55 M4.56	Instr. paneel model '34'	Instr. panel model '34'
4-18	M4.55 M4.56	Instr. paneel model '34'	Instr. panel model '34'
4-19	M4.55 M4.56	Instr. paneel model '34' voor motor met 2e dynamo, kielkoeling	Instr. panel model '34' for engine with 2nd alternator, keel cooling
4-20	M4.55	Bediening, GAS	Controls, THROTTLE
4-21	M4.56	Bediening, GAS	Controls, THROTTLE
4-22	M4.55 M4.56	Bediening, KEERKOPPELING	Controls, GEARBOX
5-1	M4.55 M4.56	Vliegwielhuis TMC60	Flywheel housing TMC60

pag. page	type	omschrijving	description
5-2	M4.55 M4.56	Vlieg wielhuis TM345(A)	Flywheel housing TM345(A)
5-3	M4.55 M4.56	Vlieg wielhuis ZF25 (A)	Flywheel housing ZF25 (A)
5-4	M4.55	Oliekoeler keerkoppeling	Oil cooler gearbox
5-5	M4.56	Oliekoeler keerkoppeling interkoeling	Oil cooler gearbox intercooler
5-6	M4.56	Oliekoeler keerkoppeling kielkoeling	Oil cooler gearbox keelcooler
6-1	M4.55 M4.56	Regulateur	Regulator
6-2	M4.55 M4.56	Regulateur	Regulator
6-3	M4.55 M4.56	Brandstofleidingen	Fuel pipes
6-4	M4.55 M4.56	Brandstofpomp	Fuel pump
6-5	M4.55 M4.56	Verstuiverhouder	Nozzle holder
6-6	M4.55	Brandstoffilter	Fuel filter
6-7	M4.55	Brandstoffilter	Fuel filter
6-8	M4.55	Brandstoffilter	Fuel filter
6-9	M4.56	Brandstoffilter	Fuel filter
6-10	M4.56	Brandstofopvoerpomp	Fuel lift pump
6-11	M4.56	Brandstof toevoer en retour	Fuel supply and return
6-12			
10-1	M4.55 M4.56	Verloopset saildrive 110S	Adaptor kit saildrive 110S
10-2	M4.55 M4.56	Verloopset saildrive 120S	Adaptor kit saildrive 120S
10-3	M4.55 M4.56	Verloopset saildrive 120SB	Adaptor kit saildrive 120SB
10-4	M4.55 M4.56	Saildrive ZF SD10	Saildrive ZF SD10
10-5	M4.55 M4.56	Saildrive ZF SD10	Saildrive ZF SD10
10-6	M4.55 M4.56	Saildrive ZF SD10	Saildrive ZF SD10
10-7	M4.55 M4.56	Saildrive SP60	Saildrive SP60
10-8	M4.55	Boileraansluiting, interkoeling, 06-2009 <-	Calorifier connection, intercooling, 06-2009 <-
10-9	M4.55 M4.56	Boileraansluiting, interkoeling, 06-2009 ->	Calorifier connection, intercooling, 06-2009->
10-10	M4.55 M4.56	Boileraansluiting, kielkoeling	Calorifier connection, keelcooling
10-11	M4.55 M4.56	Aanbouw delen hydraulische aandrijving	Adapter parts for hydraulic propulsion
10-12	M4.55 SOLAS	Instrumenten paneel MP10	Instrument panel MP10
10-13	M4.55 SOLAS	Tilt kit	Tilt kit
10-14	M4.55 SOLAS	Impeller interkoeling	Impeller Intercooling
10-15	M4.55 SOLAS	Motorverwarming	Engine heater
10-16	M4.55 SOLAS	Veerstarter	Spring starter
10-17	M4.55 M4.56	Separaat gemonteerd oliefilter + brandstof-filter	Oil filter + oil filter separately installed
10-18	M4.55 M4.56	Separaat gemonteerd oliefilter + brandstof-filter	Oil filter + oil filter separately installed
		Register	Index

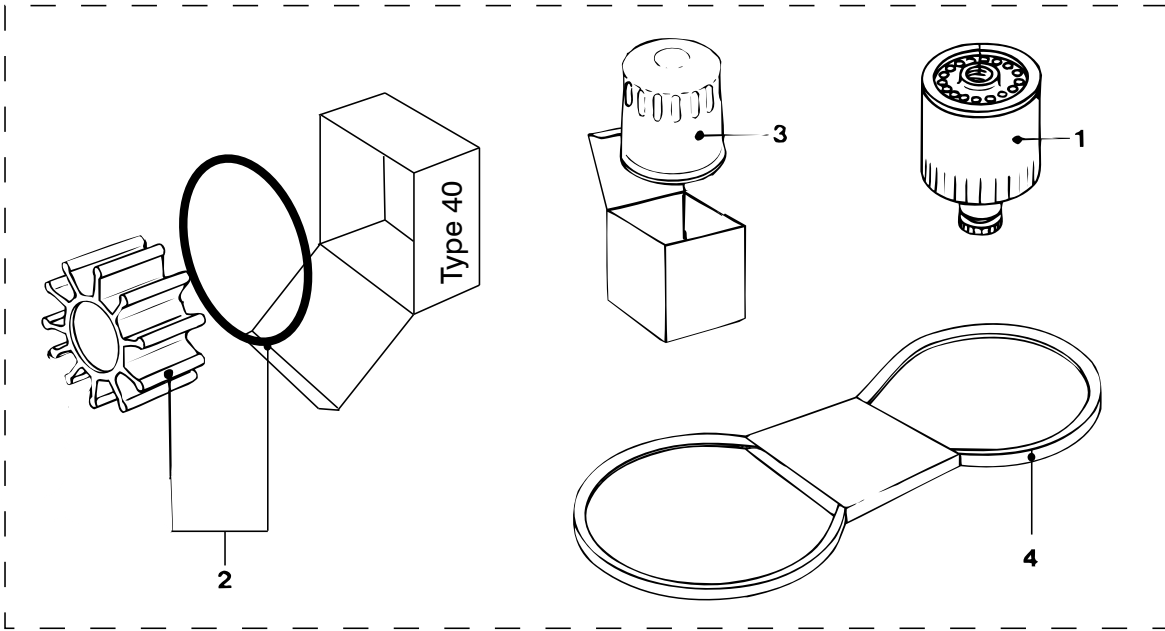
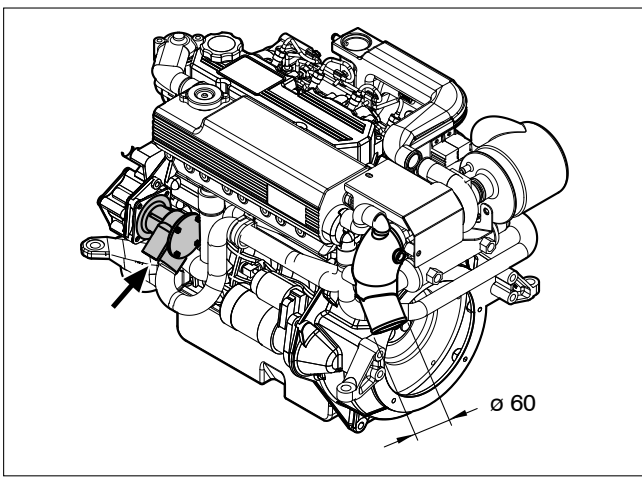


M4.55

Servicekit, voor zeewaterpomp type 20

Service kit, for sea water pump type 20

pos.	qty	part	benaming	description
1	1	STM3690	Brandstoffilter	Fuel filter
2	1	STM7464	Impeller + O-ring zeewaterpomp type 20	Impeller + O-ring seawater pump type 20
3	1	STM0051	Oliefilter	Oil filter
4	1	STM7643	V-snaar voor 110 A standaard dynamo	V-belt for 110 A standard alternator
		STM9858	V-snaar voor 110 A tweede dynamo	V-belt for 110 A second alternator
		STM9857	V-snaar voor 75 A tweede dynamo	V-belt for 75 A second alternator
5	1	STM9471	Service kit cpl. 110 A dynamo	Service kit cpl. 110 A alternator
		STM9472	Service kit cpl. 110 A + 110 A dynamo	Service kit cpl. 110 A + 110 A alternator
		STM9473	Service kit cpl. 110 A + 75 A dynamo	Service kit cpl. 110 A + 75 A alternator

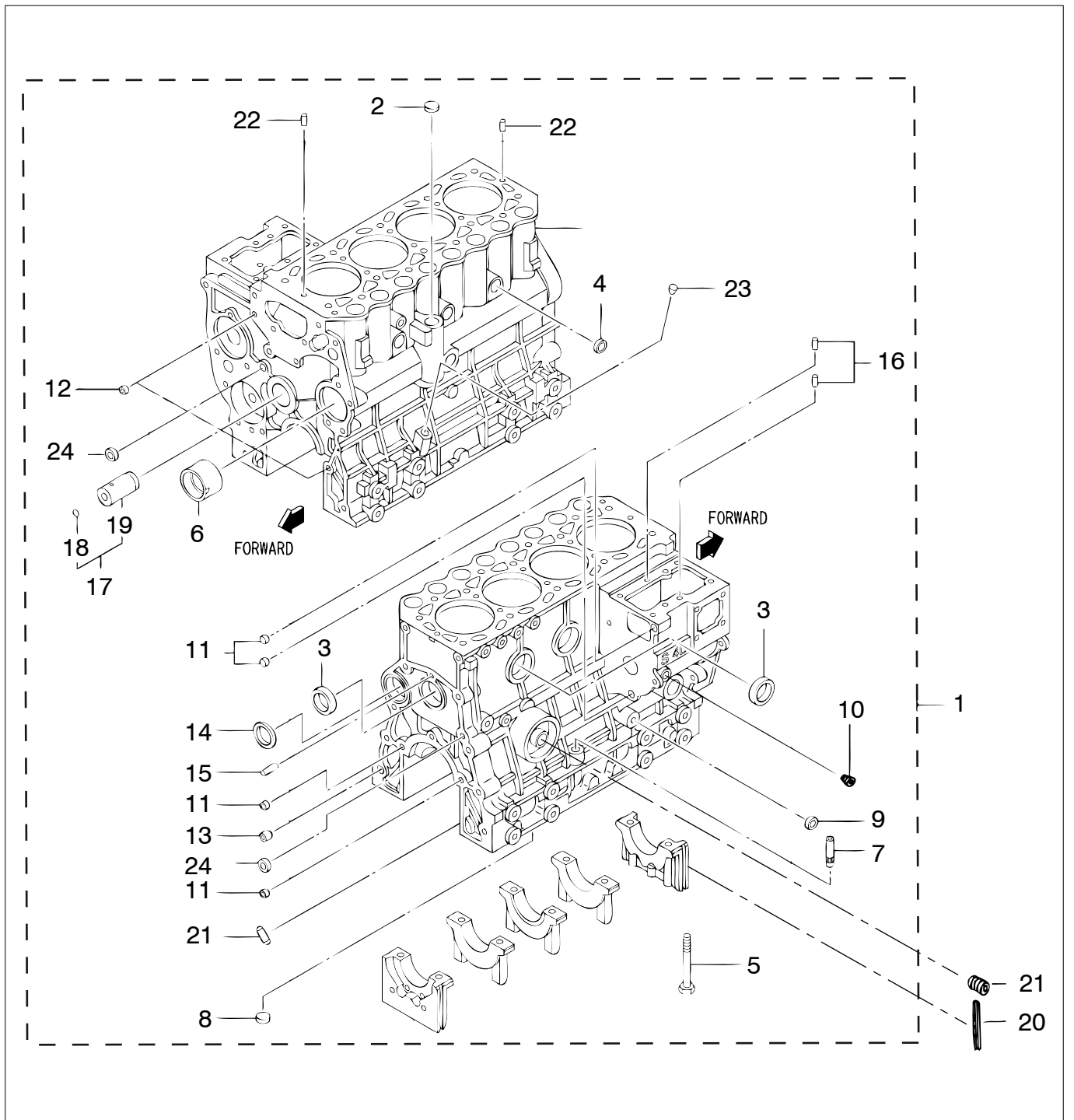


M4.55 M4.56

Servicekit, voor zeewaterpomp type 40

Service kit, for sea water pump type 40

pos.	qty	part	benaming	description
1	1	STM3690	Brandstoffilter	Fuel filter
2	1	08-01026	Impeller + O-ring zeewaterpomp type 40	Impeller + O-ring seawater pump type 40
3	1	STM0051	Oliefilter	Oil filter
4	1	STM7643	V-snaar voor 110 A standaard dynamo	V-belt for 110 A standard alternator
		STM9858	V-snaar voor 110 A tweede dynamo	V-belt for 110 A second alternator
		STM9857	V-snaar voor 75 A tweede dynamo	V-belt for 75 A second alternator
5	1	08-01027	Service kit cpl. 110 A dynamo	Service kit cpl. 110 A alternator
		08-01028	Service kit cpl. 110 A + 110 A dynamo	Service kit cpl. 110 A + 110 A alternator
		08-01029	Service kit cpl. 110 A + 75 A dynamo	Service kit cpl. 110 A + 75 A alternator

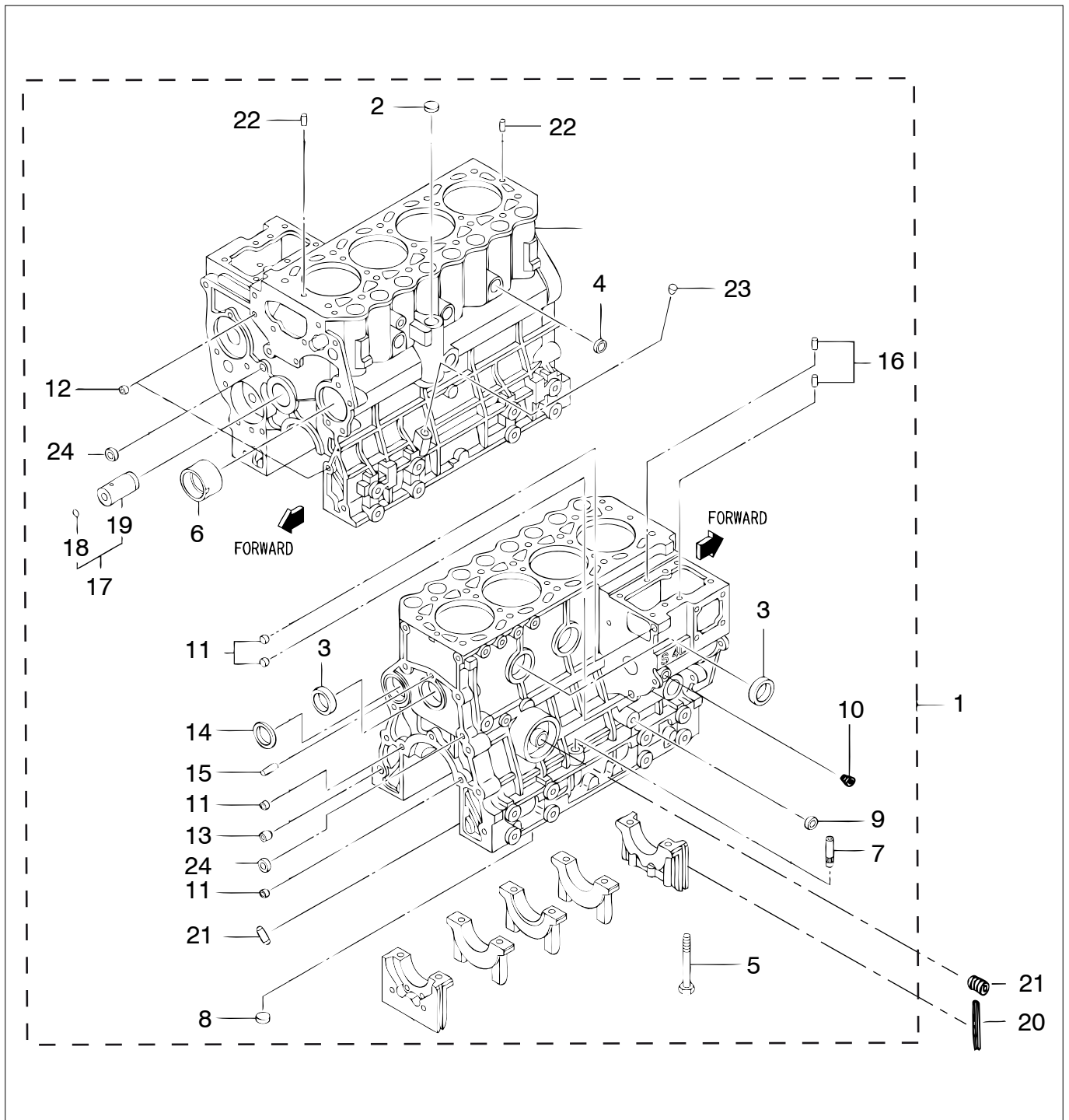


M4.55 M4.56

Motorblok

Engine block

pos.	qty	part	benaming	description
1	1	STM9987	Motorblok	Engine block
2	1	STM2537	Kap	Cap
3	3	STM7743	Kap	Cap
4	3	STM7744	Kap	Cap
5	10	STM7745	Bout	Bolt
6	1	STM7746	Bus	Bush
7	1	STM3387	Geleider	Guide
8	1	STM7747	Kap	Cap
9	1	STM7748	Kap	Cap
10	1	STM7749	Plug	Plug
11	4	STM7750	Bus	Bush
12	2	STM2510	Bus	Bush

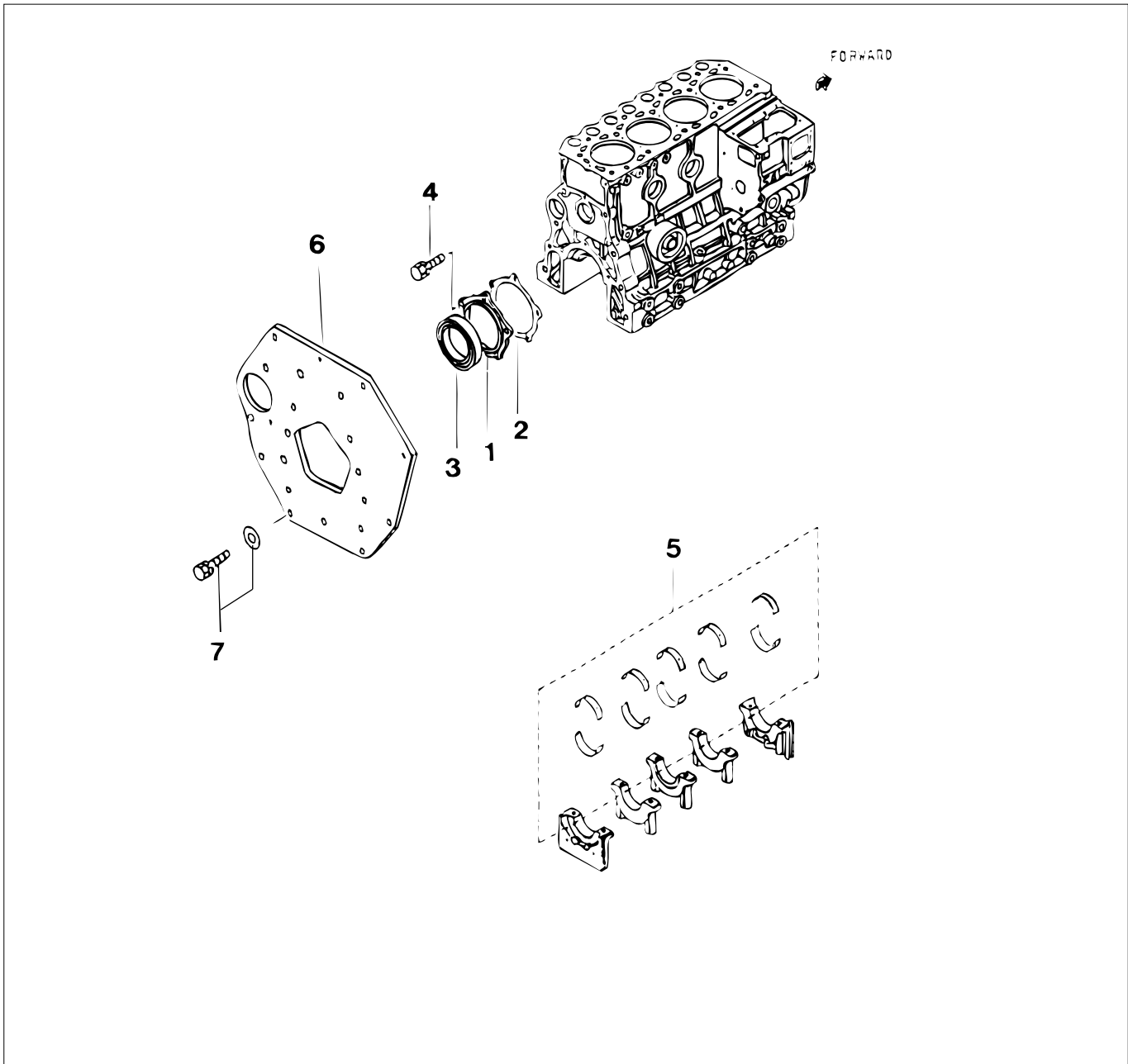


M4.55 M4.56

Motorblok

Engine block

pos.	qty	part	benaming	description
13	1	STM2511	Bus	Bush
14	1	STM2508	Plug	Plug
15	1	STM7751	Pen	Pin
16	2	STM2492	Pen	Pin
17	1	STM7752	As	Shaft
18	1	STM7753	Kogel	Ball
19	1	STM7754	As	Shaft
20	4	STM7755	Afdichting	Seal
21	1	STM9902	Oliestraalpijp	Oil jet pipe
22	2	STM7757	Pen	Pin
23	1	STM7758	Plug	Plug
24	2	STM9477	Plug	Plug

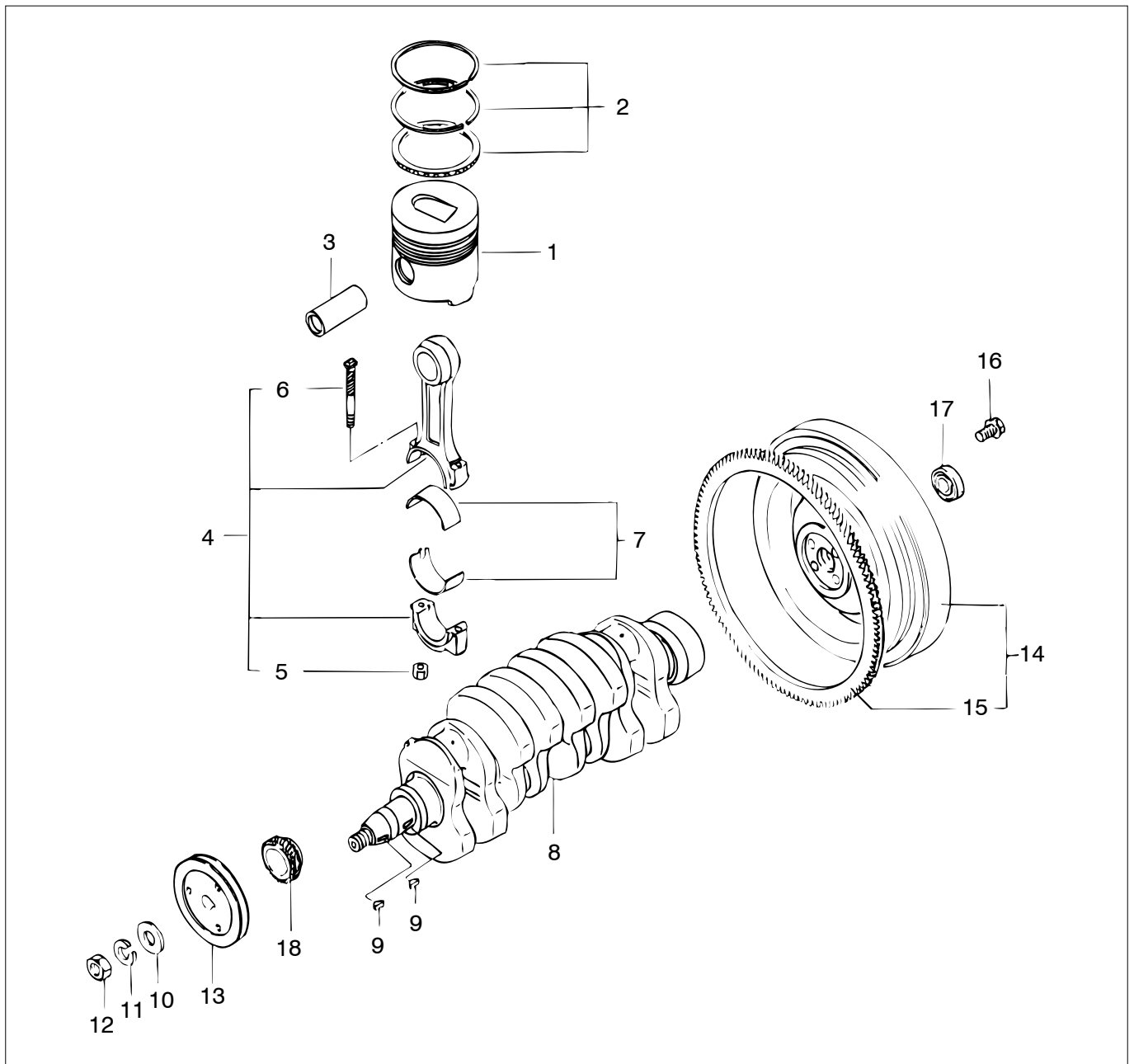


M4.55 M4.56

Motorblok

Engine block

pos.	qty	part	benaming	description
1	1	STM7760	Huis	Case
2	1	STM7761	Pakking	Gasket
3	1	STM7762	Afdichting	Seal
4	5	STM7763	Bout	Bolt
5	1	STM9988	Lagerset std.	Bearing kit std.
	1	STM9989	Lagerset 0,25	Bearing kit 0.25
	1	STM9990	Lagerset 0,50	Bearing kit 0.50
	1	STM9991	Lagerset 0,75	Bearing kit 0.75
6	1	STM7767	Achterplaat	Rear plate
7	6	STM7769	Bout + Ring	Bolt + Washer

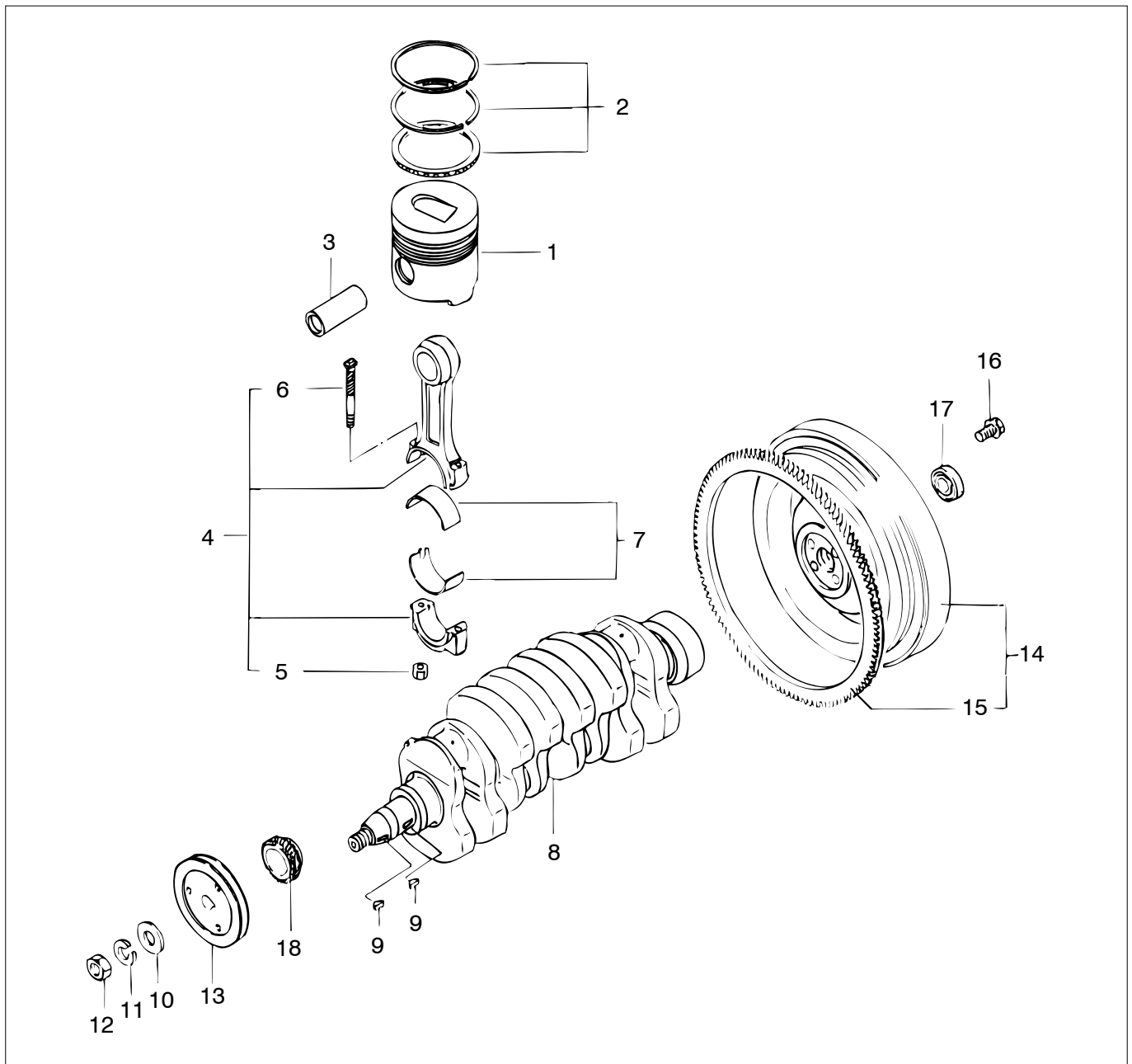


M4.55 M4.56

Krukas + zuiger

Crankshaft + piston

pos.	qty	part	benaming	description
1	4	STM9992	Zuiger std.	Piston std.
	4	STM9993	Zuiger 0,25	Piston 0.25
	4	STM9994	Zuiger 0,50	Piston 0.50
2	4	STM9995	Ringen set std.	Ring set std.
	4	STM9996	Ringen set 0,25	Ring set 0.25
	4	STM9997	Ringen set 0,50	Ring set 0.50
3	4	STM7793	Zuigerpen	Piston pin
4	4	STM7794	Drijfstang cpl.	Rod cpl.
5	8	STM7795	Moer	Nut
6	8	STM7796	Bout	Bolt
7	4	STM7799	Lagerset std.	Bearing set std
	4	STM7800	Lagerset 0,25	Bearing set 0.25
	4	STM7801	Lagerset 0,50	Bearing set 0.50
	4	STM7802	Lagerset 0,75	Bearing set 0.75
8	1	STM7803	Krukas	Crankshaft
9	2	STM2569	Spie	Key

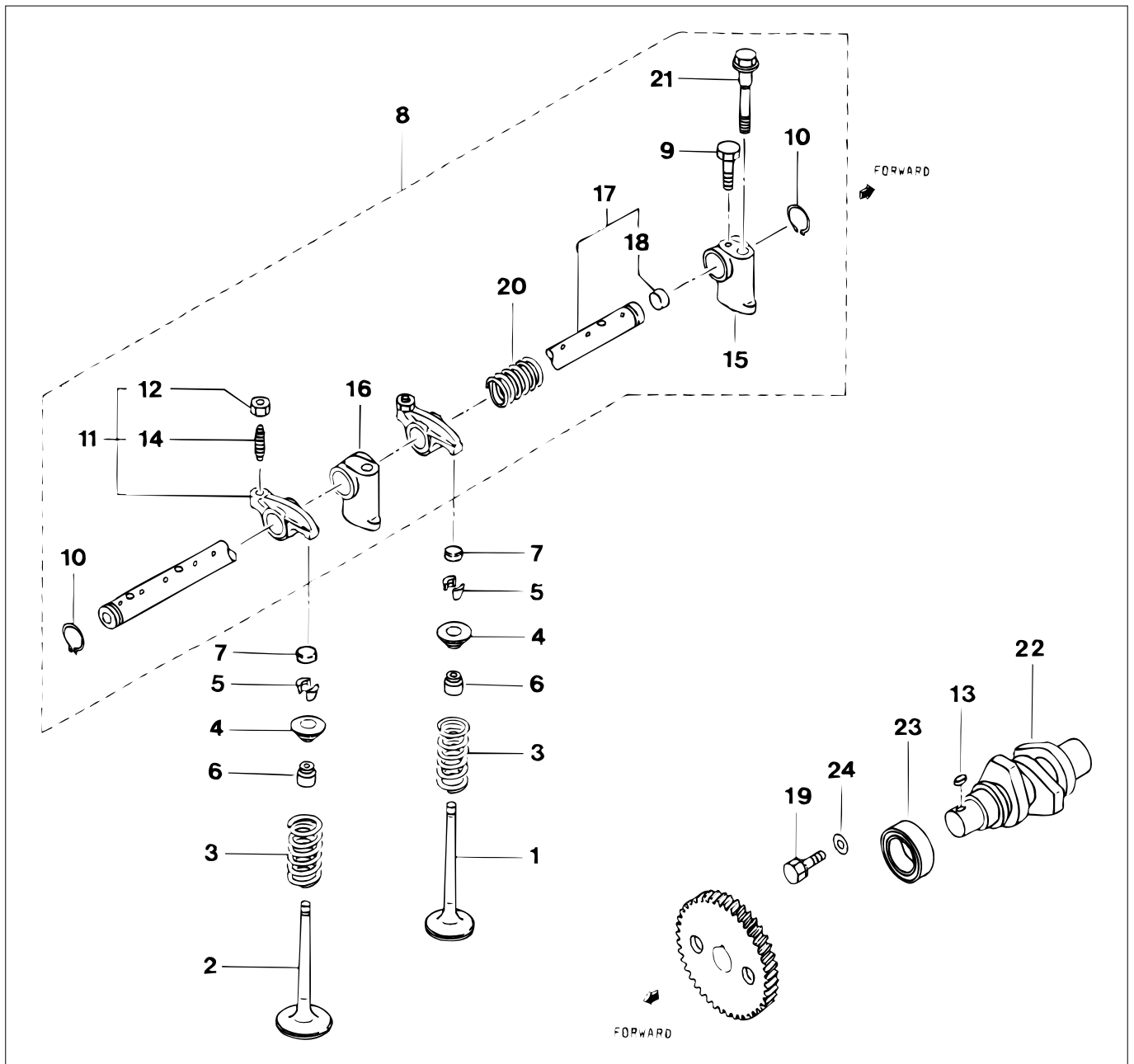


M4.55 M4.56

Krukas + zuiger

Crankshaft + piston

pos.	qty	part	benaming	description
10	1	STM7804	Ring	Washer
11	1	STM7805	Ring	Washer
12	1	STM7806	Moer	Nut
13	1	STM7807	Snaarschijf	Pulley
14	1	STM7809	Vliegwiel + krans	Flywheel + gear ring
15	1	STM7810	Starterkrans	Gear ring
16	4	STM3448	Bout	Bolt
17	1	STM2574	Lager	Bearing
18	1	STM7812	Tandwiel	Gear

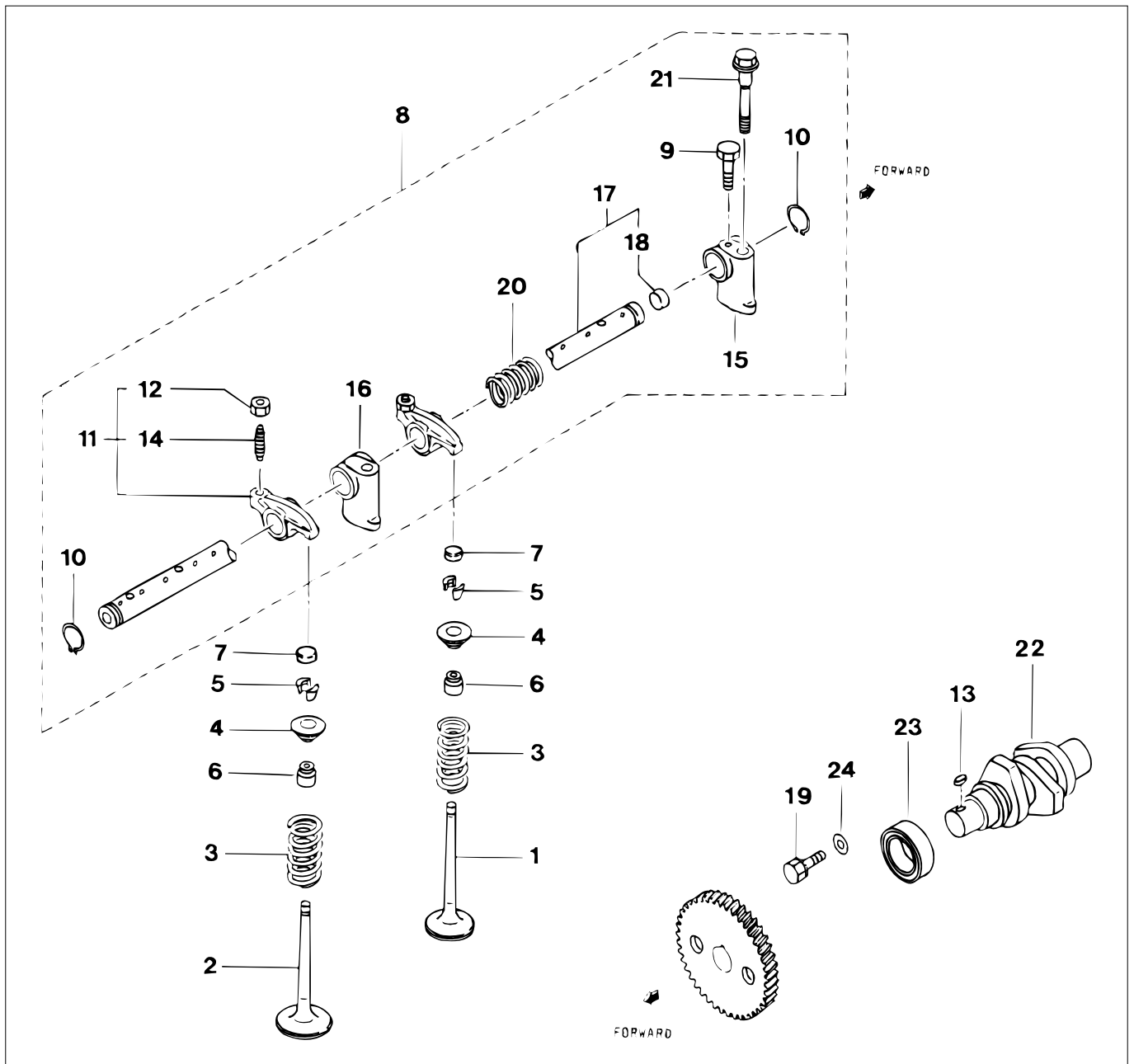


M4.55 M4.56

Kleppen

Valves

pos.	qty	part	benaming	description
1	4	STM7712	Inlaatklep	Inlet valve
2	4	STM7713	Uitlaatklep	Exhaust valve
3	8	STM7714	Veer	Spring
4	8	STM7715	Veerschotel	Retainer valve spring
5	16	STM2588	Klepspie	Lock valve retainer
6	8	STM2589	Ring	Washer
7	8	STM7716	Kap	Cap
8	8	STM7717	Tuimelaaras	Rockershaft
9	1	STM7718	Bout	Bolt
10	2	STM2603	Borgveer	Ring snap
11	8	STM7719	Stelbout cpl.	Bolt cpl.
12	8	STM7720	Moer	Nut
13	1	STM7730	Spie	Key
14	8	STM7721	Stelbout	Bolt
15	1	STM7722	Steun	Bracket
16	3	STM7723	Steun	Bracket

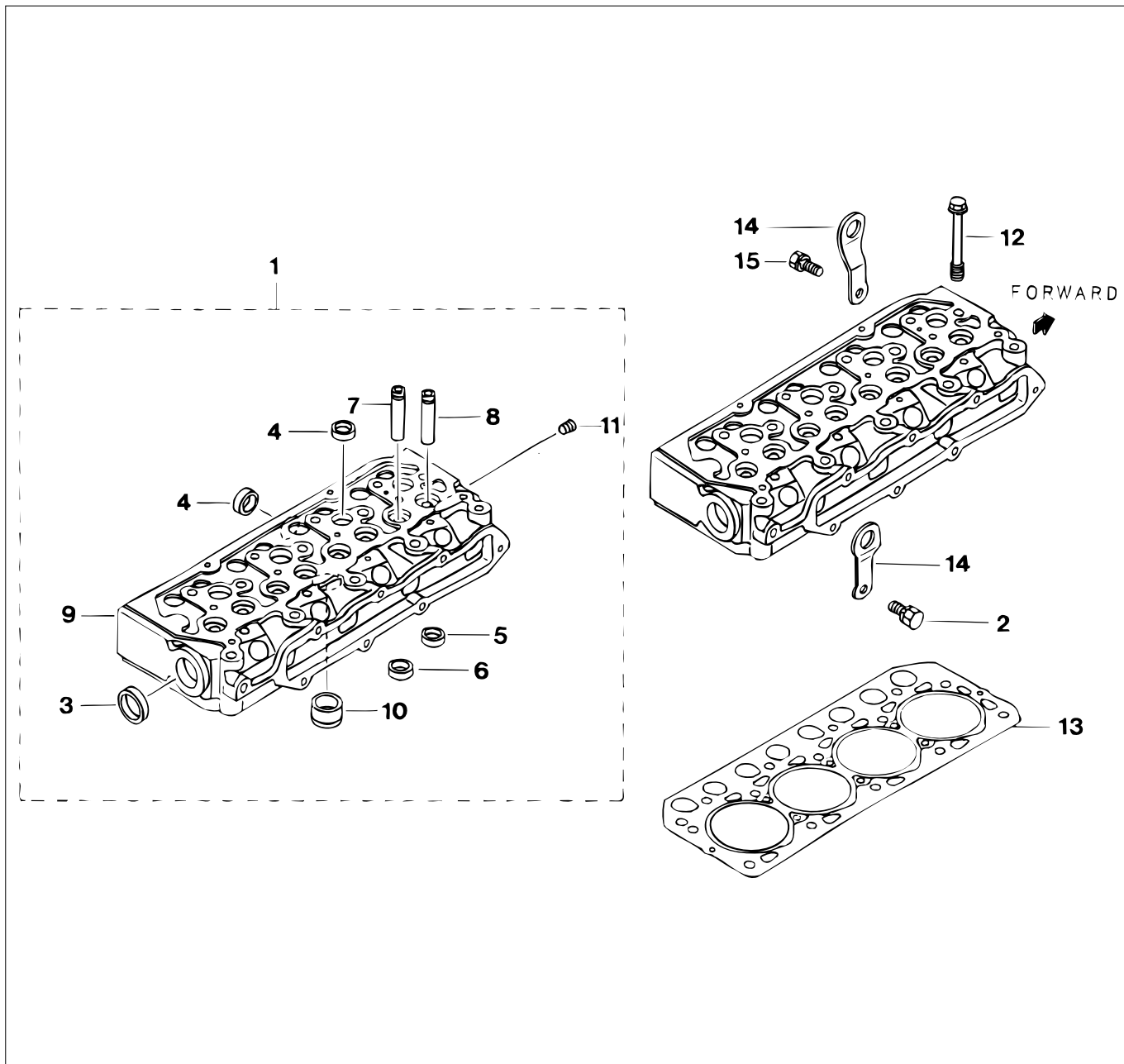


M4.55 M4.56

Kleppen

Valves

pos.	qty	part	benaming	description
17	1	STM7724	As	Shaft
18	2	STM7725	Kap	Cap
19	1	STM7731	Bout	Bolt
20	3	STM7727	Veer	Spring
21	4	STM7728	Bout	Bolt
22	1	STM7729	As (brandstofpomp)	Shaft (fuel inj. pump)
23	1	STM2583	Lager	Bearing
24	1	STM2580	Ring	Washer

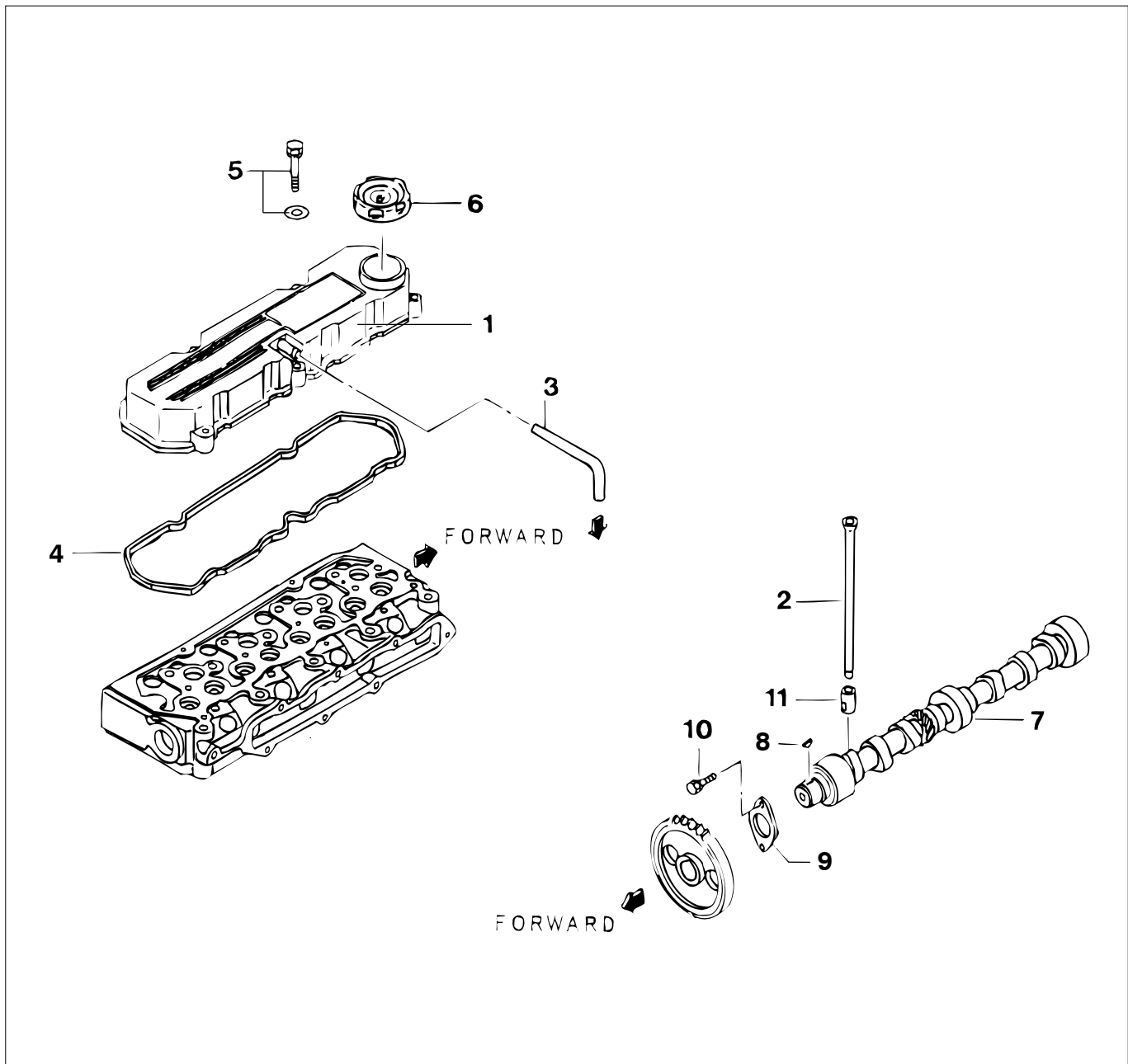


M4.55 M4.56

Cilinderkop

Cylinder head

pos.	qty	part	benaming	description
1	1	STM9901	Cilinderkop cpl.	Cylinder head cpl.
2	2	STM7711	Bout	Bolt
3	1	STM7702	Kap	Cap
4	7	STM7414	Kap	Cap
5	4	STM7959	Inlaatklep zitting	Inlet seal valve
6	4	STM7960	Uitlaatklep zitting	Exhaust seal valve
7	4	STM7704	Klep geleider uitlaat	Guide exhaust valve
8	4	STM7705	Klep geleider inlaat	Guide inlet valve
9	1	STM7961	Cilinderkop	Cylinder head
10	4	STM9986	Bus	Bush
11	1	STM7707	Plug	Plug
12	14	STM7708	Bout, cilinderkop	Bolt, cylinder head
13	1	STM7709	Pakking	Gasket
14	2	STM7710	Hijsoog	Lifting eye

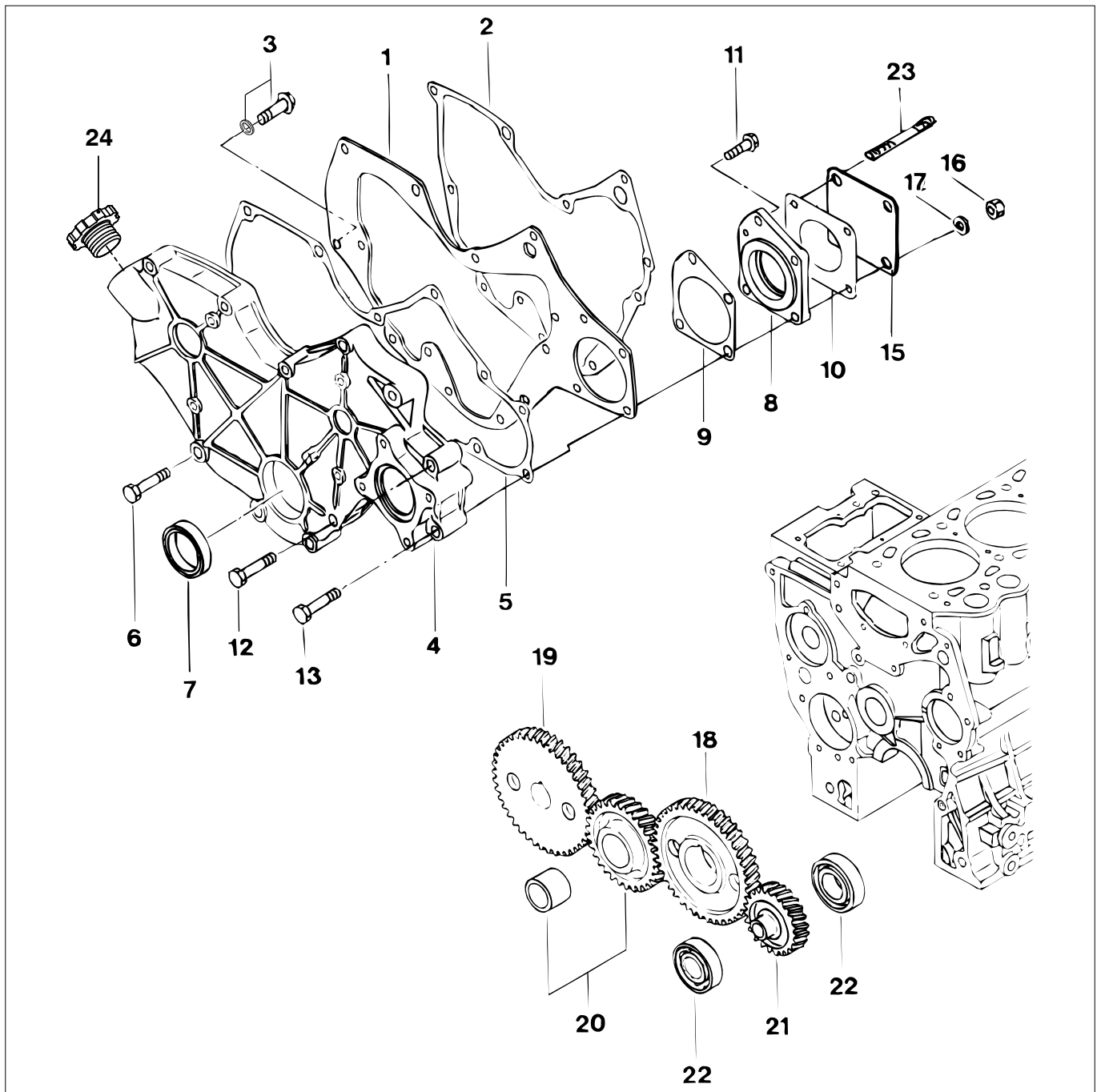


M4.55 M4.56

Kleppendeksel + nokkenas

Rocker cover + camshaft

pos.	qty	part	benaming	description
1	1	STM7732	Kleppendeksel	Rocker cover
2	4	STM7740	Stoterstang	Rod
3	1	STM7483	Slang (M4.55)	Hose (M4.55)
	1	08-01466	Slang (M4.56)	Hose (M4.56)
4	1	STM7734	Pakking	Gasket
5	5	STM7736	Bout + Ring	Bolt + Washer
6	1	STM2532	Dop	Cap
7	1	STM7737	Nokkenas	Cam shaft
8	1	STM2579	Spie	Key
9	1	STM7738	Plaat	Plate
10	2	STM7739	Bout	Bolt
11	8	STM2591	Klepstoter	Tappet

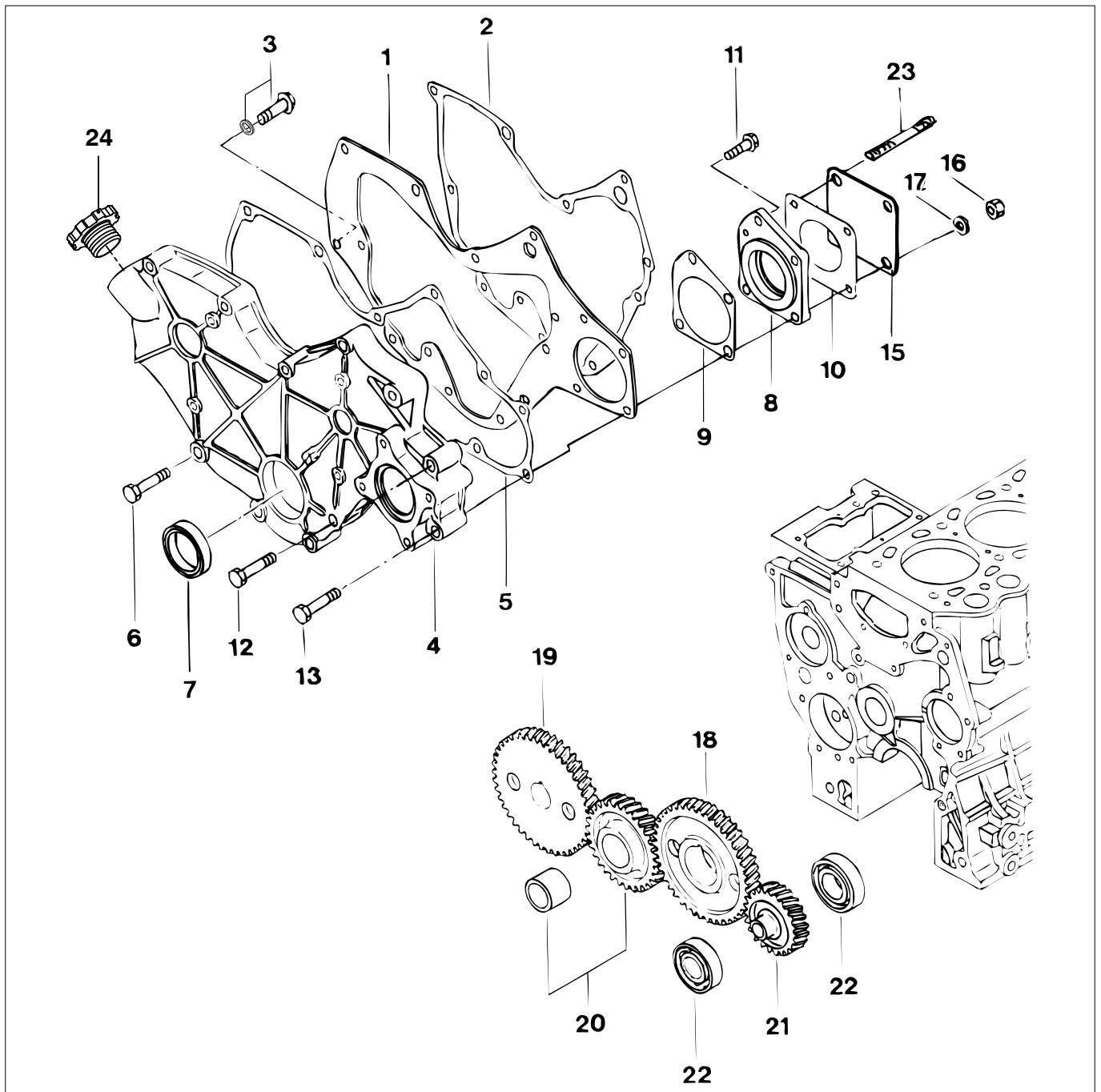


M4.55 M4.56

PTO

PTO

pos.	qty	part	benaming	description
1	1	STM7770	Plaat	Plate
2	1	STM7771	Pakking	Gasket
3	5	STM7772	Bout + Ring	Bolt + Washer
4	1	STM7773	Deksel	Cover
5	2	STM7774	Pakking	Gasket
6	8	STM2528	Bout	Bolt
7	1	STM2527	Keerring	Seal
8	1	STM7776	Huis	Case
9	1	STM7777	Pakking	Gasket
10	2	STM2526	Pakking	Gasket
11	1	STM7778	Bout	Bolt
12	1	STM7779	Bout	Bolt
13	1	STM7779	Bout	Bolt
14	2	STM7781	Bout	Bolt

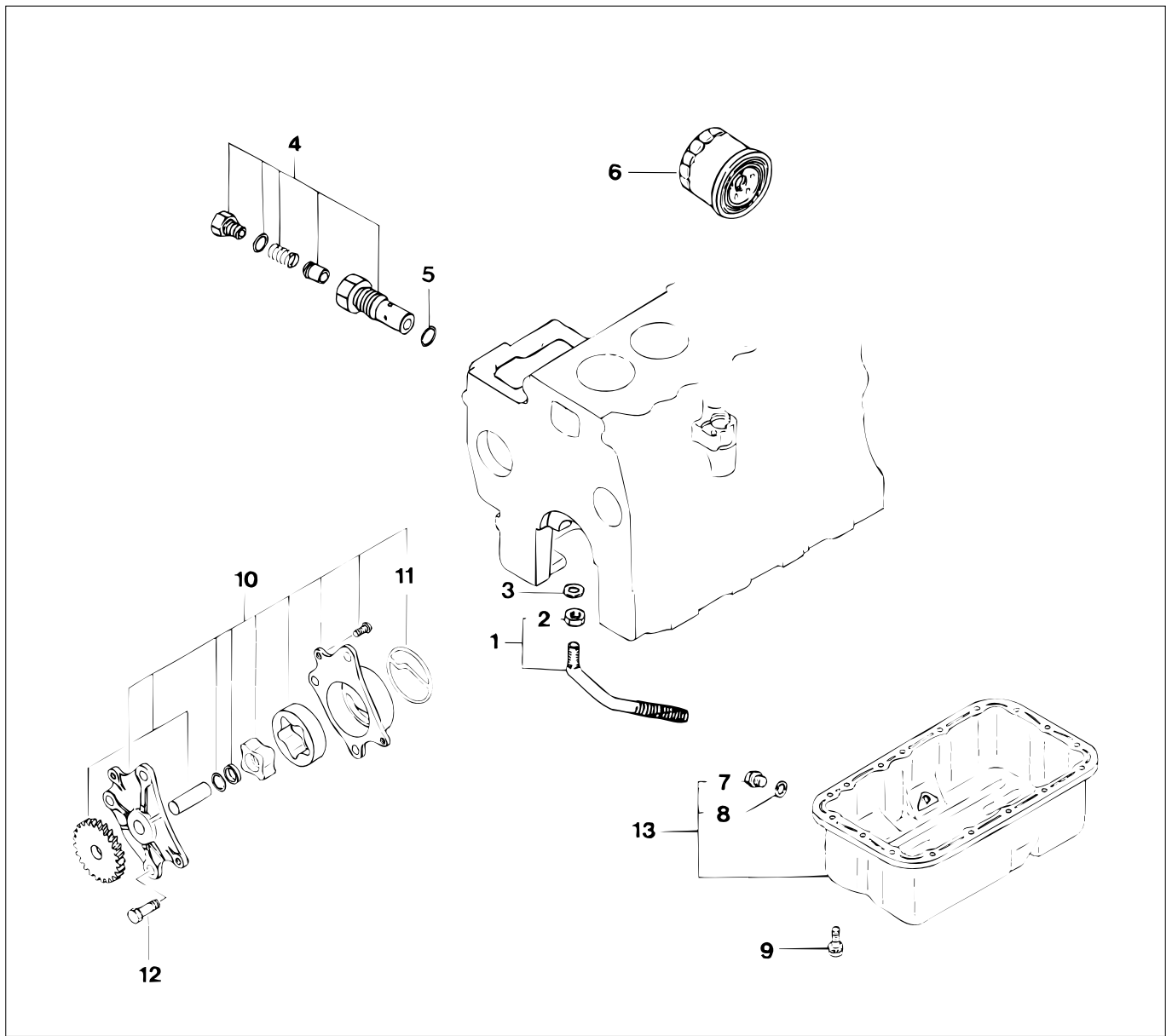


M4.55 M4.56

PTO

PTO

pos.	qty	part	benaming	description
15	1	STM2525	Deksel	Cover
16	4	STM7940	Moer	Nut
17	4	STM7941	Ring	Washer
18	1	STM7814	Tandwiel	Gear wheel
19	1	STM9998	Tandwiel	Gear wheel
20	1	STM7816	Tandwiel cpl.	Gear wheel cpl.
21	1	STM7817	Tandwiel	Gear wheel
22	2	STM7818	Lager	Bearing
23	2	STM7780	Tapeind	Stud
24	1	STM3912	Oliedop	Oil cap

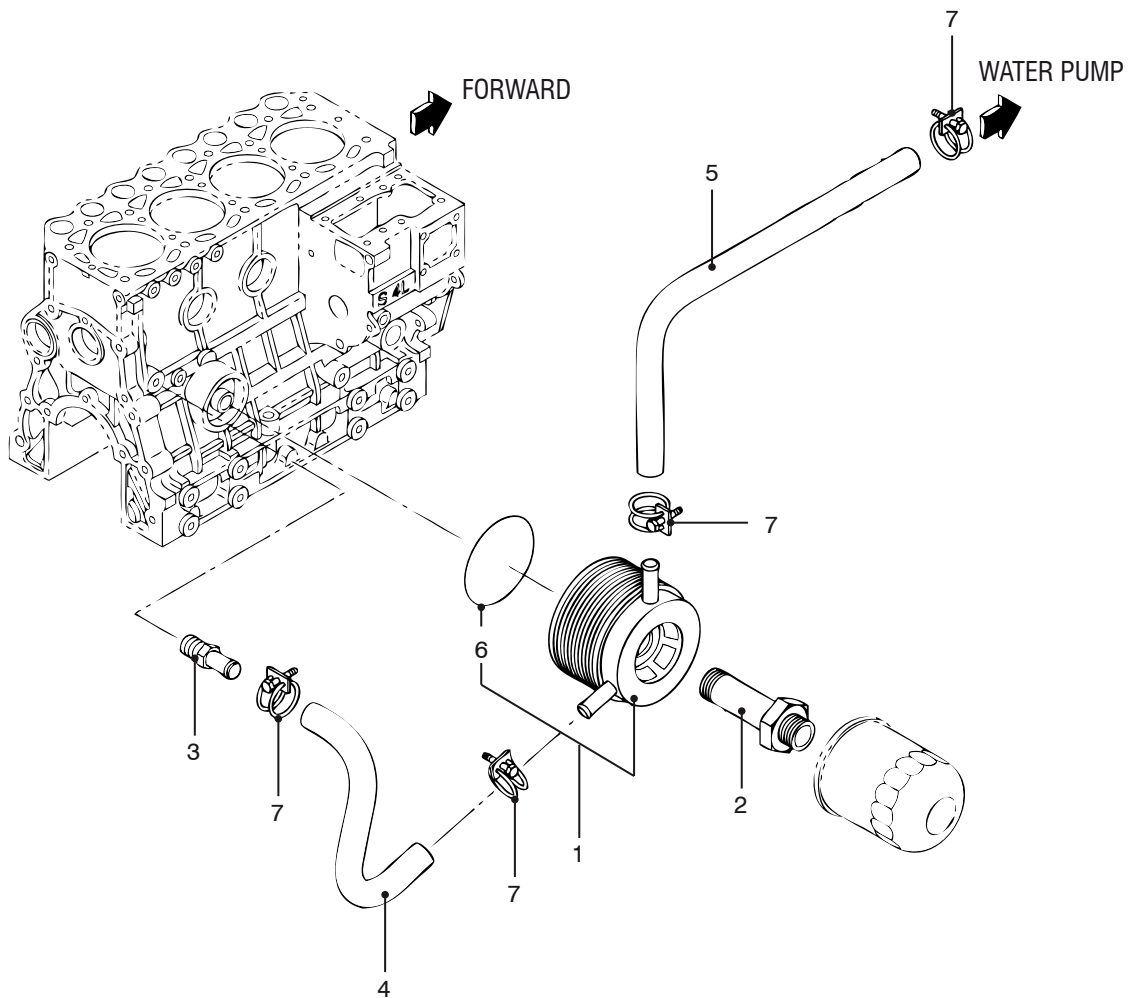


M4.55 M4.56

Carterpan + oliepomp

Oil pan + oil pump

pos.	qty	part	benaming	description
1	1	STM7829	Pijp cpl.	Pipe cpl.
2	1	STM7831	Moer	Nut
3	1	STM2672	Pakking	Gasket
4	1	STM7962	Klep cpl.	Valve cpl.
5	1	STM7832	Afdichtring	Seal washer
6	1	STM0051	Oliefilter	Oil filter
7	1	STM7783	Plug	Plug
8	1	STM7784	Afdichtring	Seal washer
9	17	STM7786	Bout	Bolt
10	1	STM7826	Oliepomp cpl.	Oil pump cpl.
11	1	STM7827	Pakking	Gasket
12	3	STM7828	Bout	Bolt
13	1	STM7782	Carterpan cpl.	Oil pan cpl.

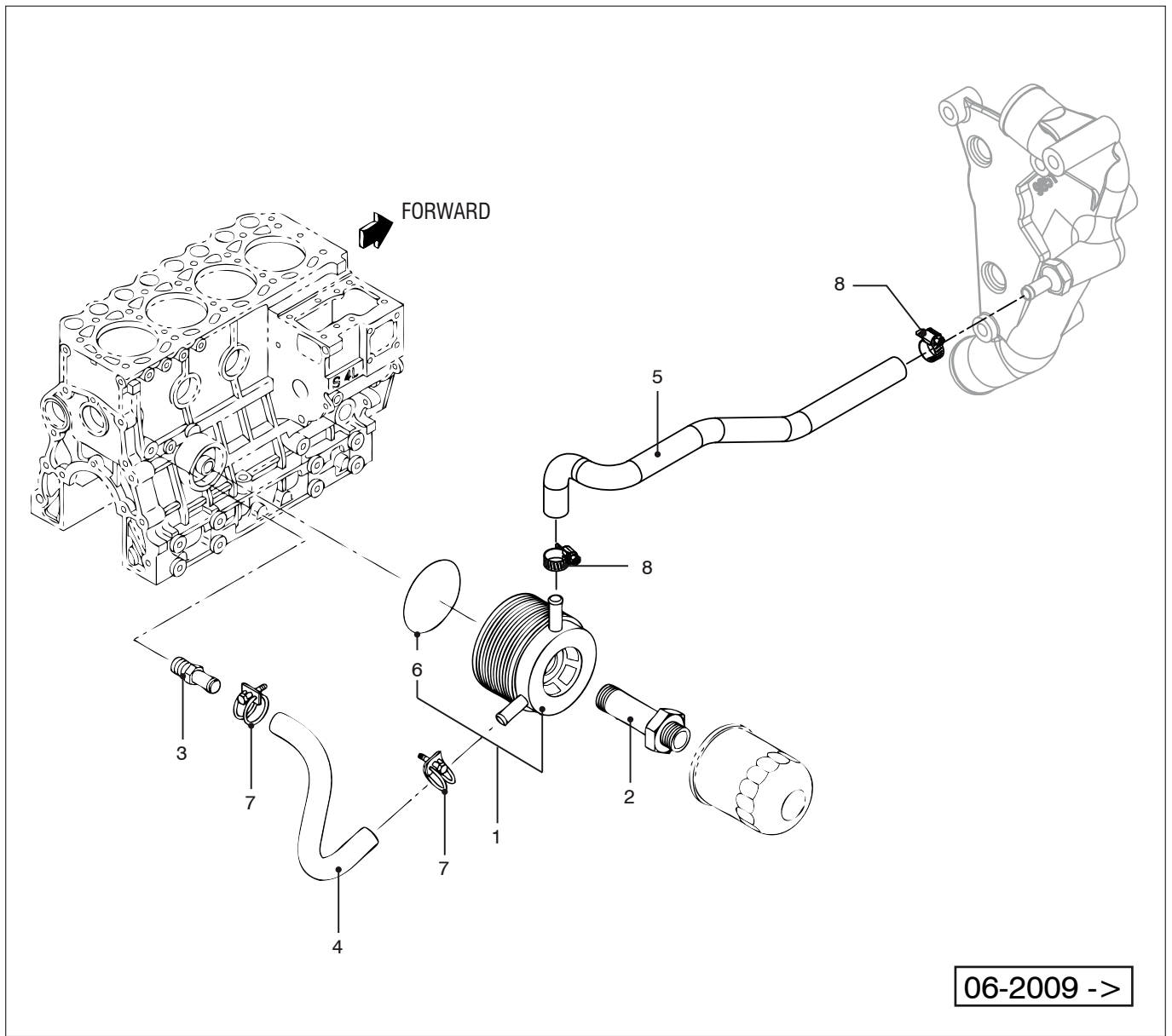


M4.55

Oliekoeler 06-2009 <-

Oil cooler 06-2009 <-

pos.	qty	part	benaming	description
1	1	STM9941	Oliekoeler	Oil cooler
2	1	STM9942	Holle bout	Connector
3	1	STM9943	Slangtule	Hose pillar
4	1	STM9945	Slang	Hose
5	1	STM9947	Slang	Hose
6	1	STM9938	O-Ring	O-Ring
7	4	STM9946	Slangklem	Hose clamp

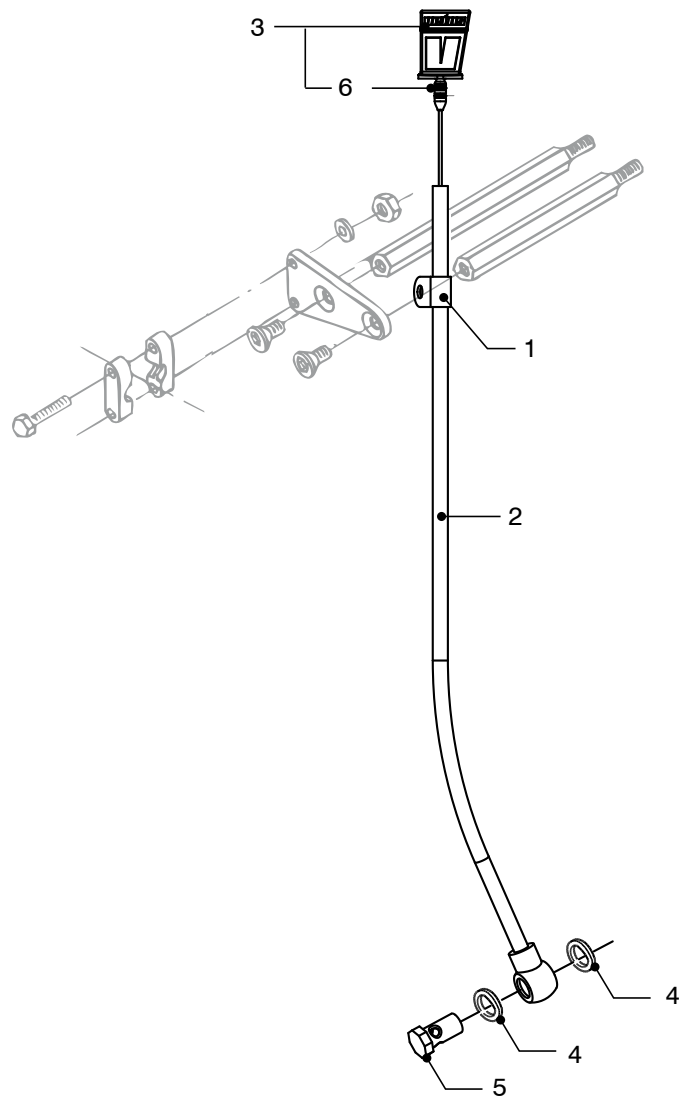


M4.55 M4.56

Oliekoeler 06-2009 ->

Oil cooler 06-2009 ->

pos.	qty	part	benaming	description
1	1	STM9941	Oliekoeler	Oil cooler
2	1	STM9942	Holle bout	Connector
3	1	STM9943	Slangtule	Hose pillar
4	1	STM9945	Slang	Hose
5	1	STM9442	Slang	Hose
6	1	STM9938	O-Ring	O-Ring
7	2	STM9946	Slangklem	Hose clamp
8	2	STM2012	Slangklem	Hose clamp

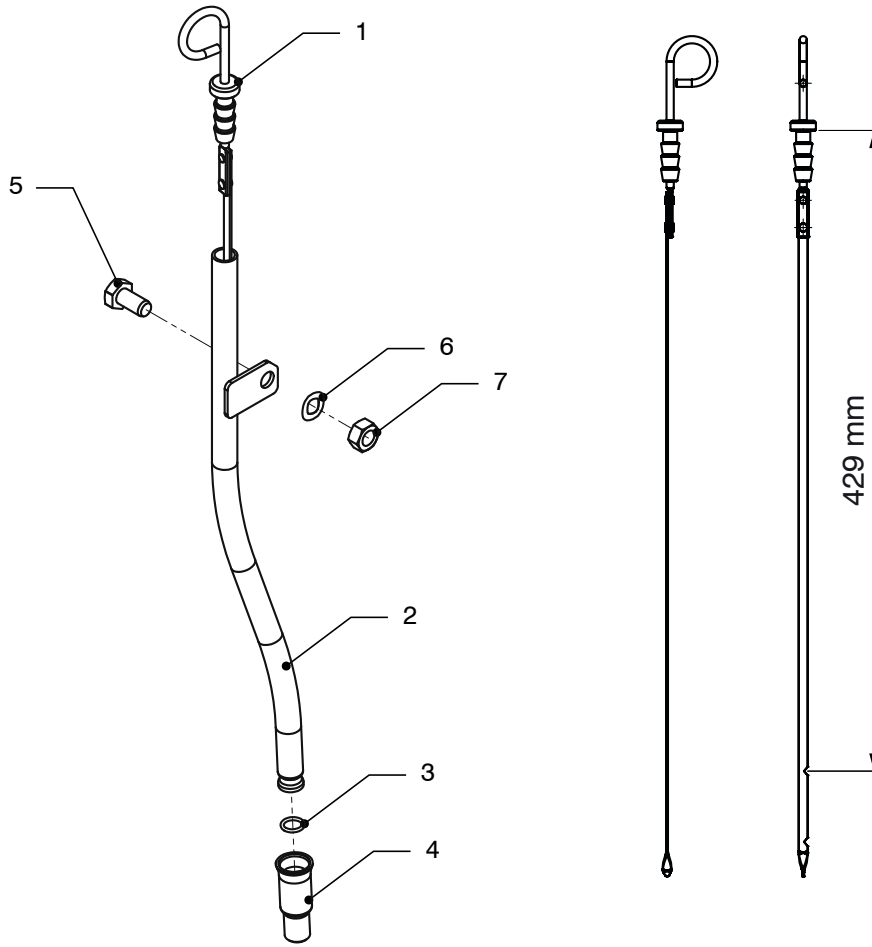


M4.55

Oliepeilstok

Oil dipstick

pos.	qty	part	benaming	description
1	1	STM6305	Klem RSGU1100	Clamp RSGU1100
2	1	STM7484	Pijp oliepeilstok	Pipe oil dipstick
3	1	STM7442	Oliepeilstok M4.55	Oil dipstick M4.55
4	2	STM1062	Afdichtring M14	Seal washer M14
5	1	STM7443	Banjo bout M14x1,5	Banjo bolt M14x1,5
6	2	STM7435	O-ring FPM	O-ring FPM

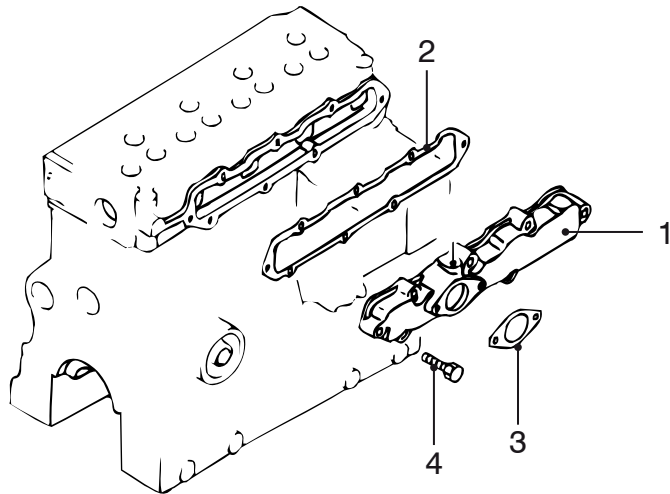


M4.56

Oliepeilstok

Oil dipstick

pos.	qty	part	benaming	description
1	1	08-01370	Oilpeilstok	Oil dipstick
2	1	08-01331	Pijp oliepeilstok	Pipe oil dipstick
3	2	08-01373	O-ring	O-ring
4	1	08-01374	Bus	Bush
5	1	STM4055	Bout M8x16	Bolt M8x16
6	1	STM1019	Gegolfde veerring M8	Wave spring washer M8
7	1	STM2005	Moer M8	Nut M8

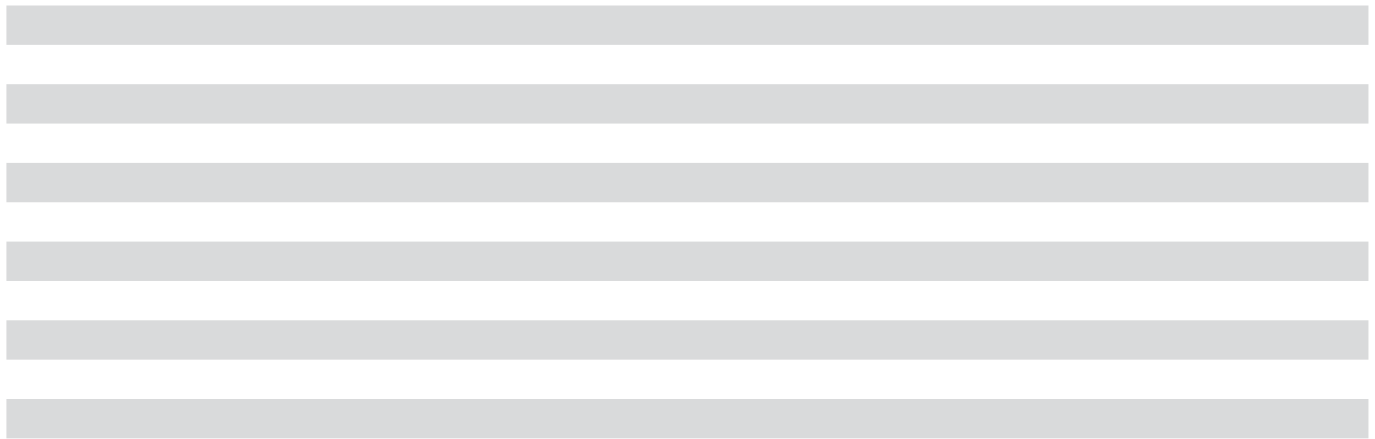


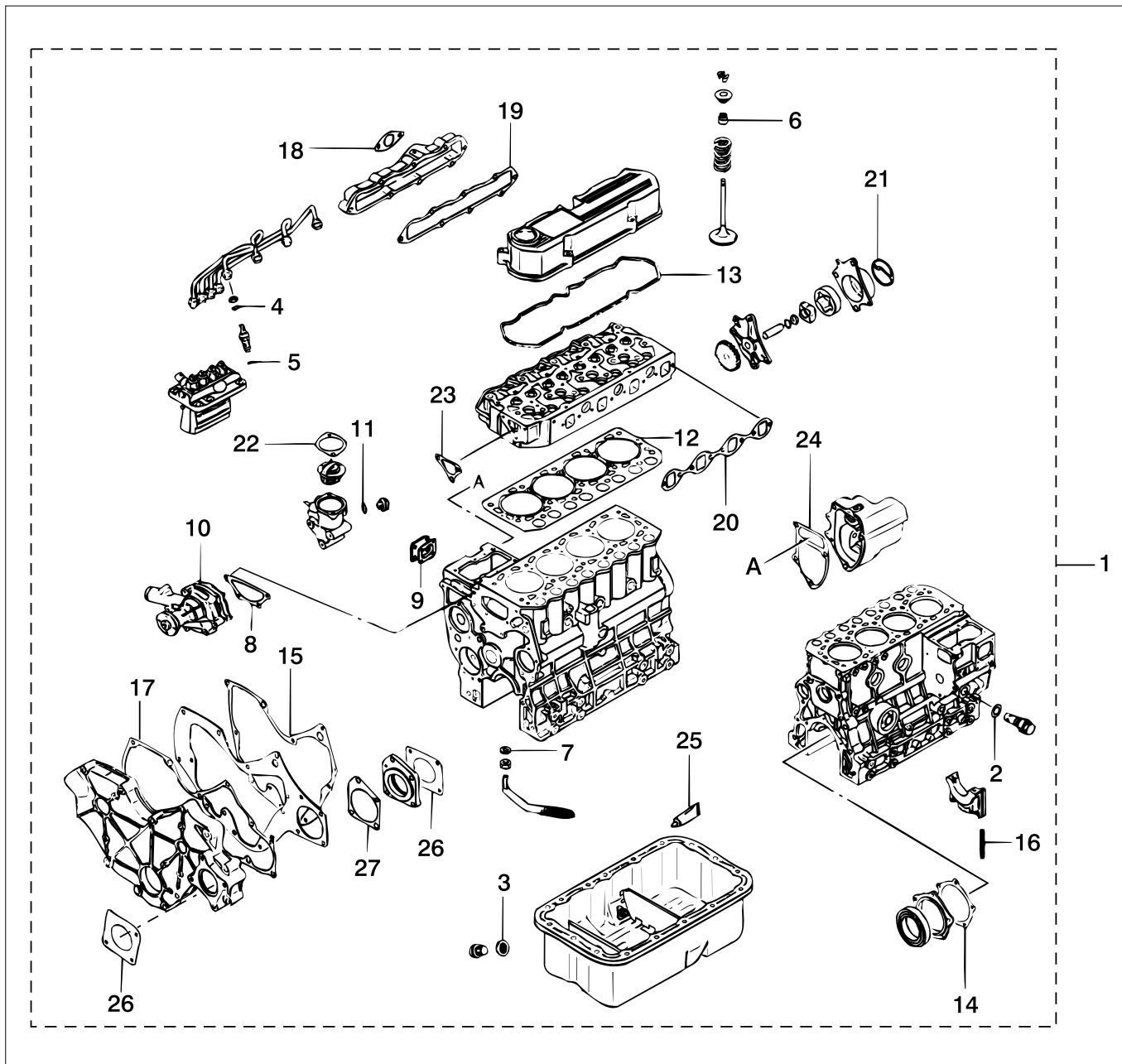
M4.55 M4.56

Luchtinlaat

Air intake

pos.	qty	part	benaming	description
1	1	STM9999	Deksel cpl.	Cover cpl.
2	1	STM7820	Pakking	Gasket
3	1	STM7474	Pakking	Gasket
4	8	STM7823	Bout	Bolt



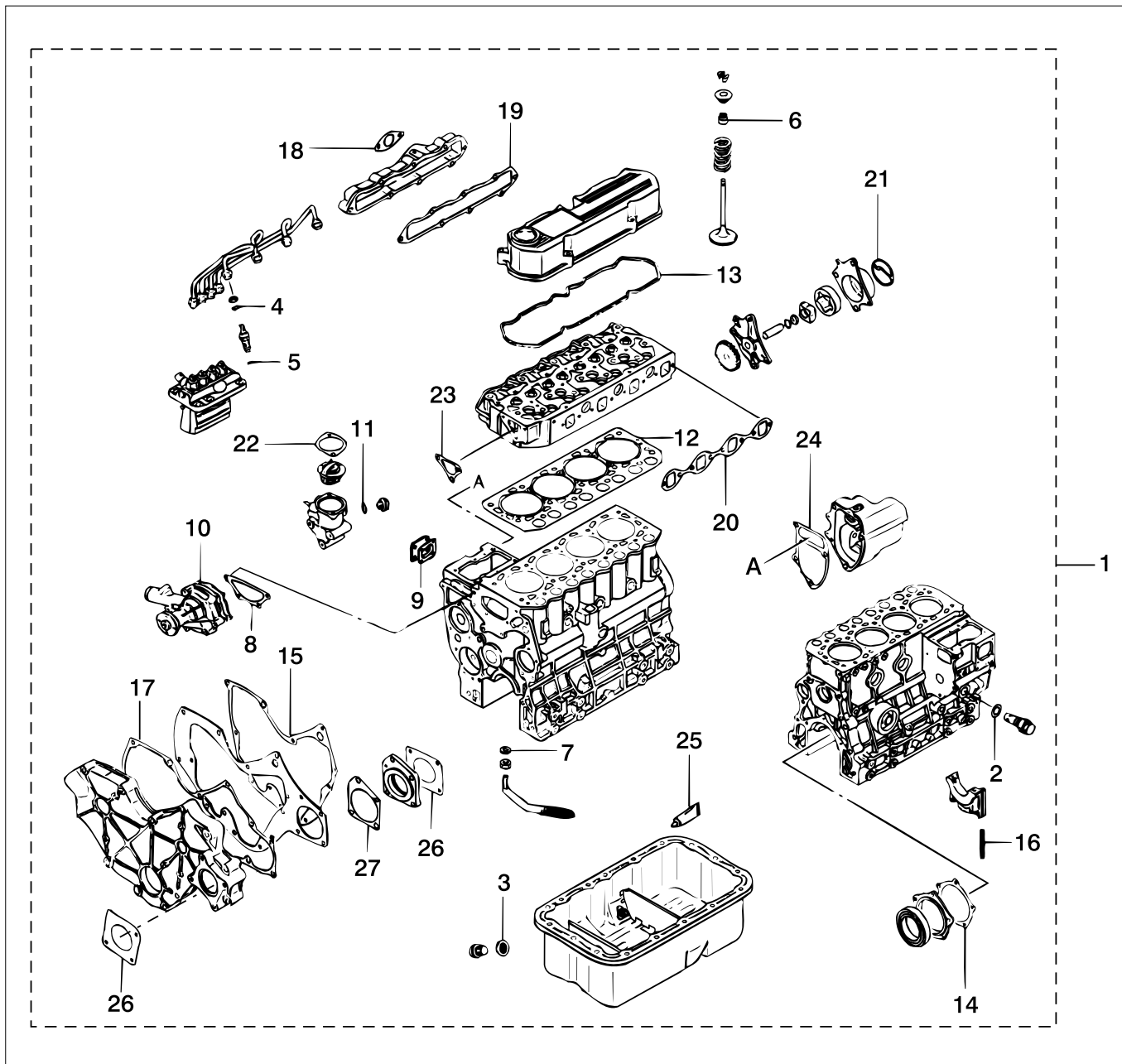


M4.55 M4.56

Revisie pakkingset

Overhaul gasket kit

pos.	qty	part	benaming	description
1	1	STM7965	Pakkingset	Gasket kit
2	1	STM7963	Pakking	Gasket
3	1	STM7784	Pakking	Gasket
4	4	STM7862	Pakking	Gasket
5	4	STM7861	Pakking	Gasket
6	8	STM2589	Afdichting	Seal
7	1	STM2672	Pakking	Gasket
8	1	STM7846	Pakking	Gasket
9	1	STM7927	Pakking	Gasket
10	1	STM2682	Pakking	Gasket
11	3	STM7953	Pakking	Gasket
12	1	STM7709	Pakking	Gasket
13	1	STM7734	Pakking	Gasket
14	1	STM7761	Pakking	Gasket
15	1	STM7771	Pakking	Gasket
16	4	STM7755	Afdichting	Seal

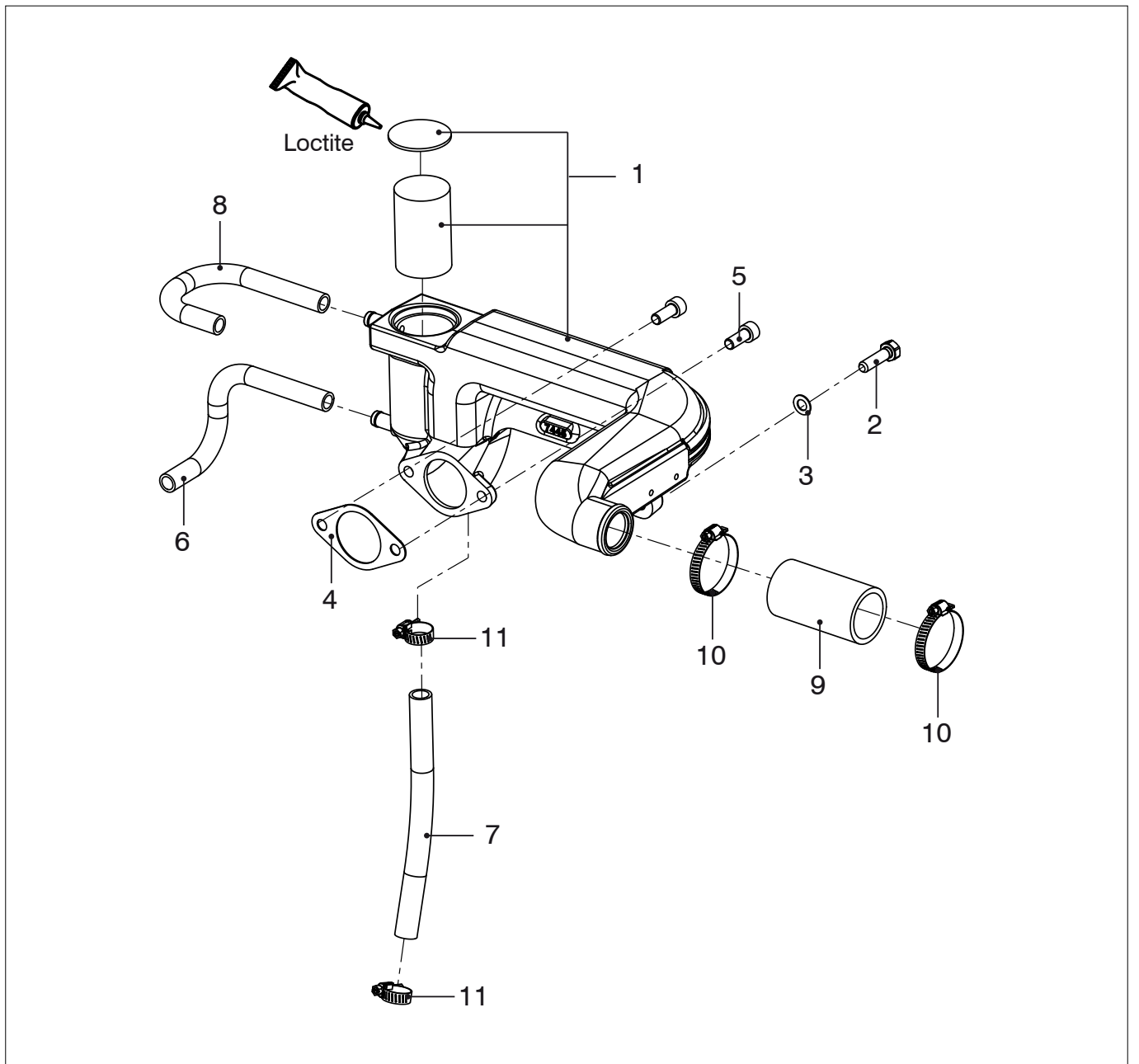


M4.55 M4.56

Revisie pakkingset

Overhaul gasket kit

pos.	qty	part	benaming	description
17	1	STM7774	Pakking	Gasket
18	1	STM7474	Pakking	Gasket
19	1	STM7820	Pakking	Gasket
20	1	STM7825	Pakking	Gasket
21	1	STM7821	Pakking	Gasket
22	1	STM7855	Pakking	Gasket
23	1	STM7856	Pakking	Gasket
24	1	STM7918	Pakking	Gasket
25	1	STM7964	Pakking vloeibaar	Gasket liquid
26	2	STM2526	Pakking	Gasket
27	1	STM7777	Pakking	Gasket

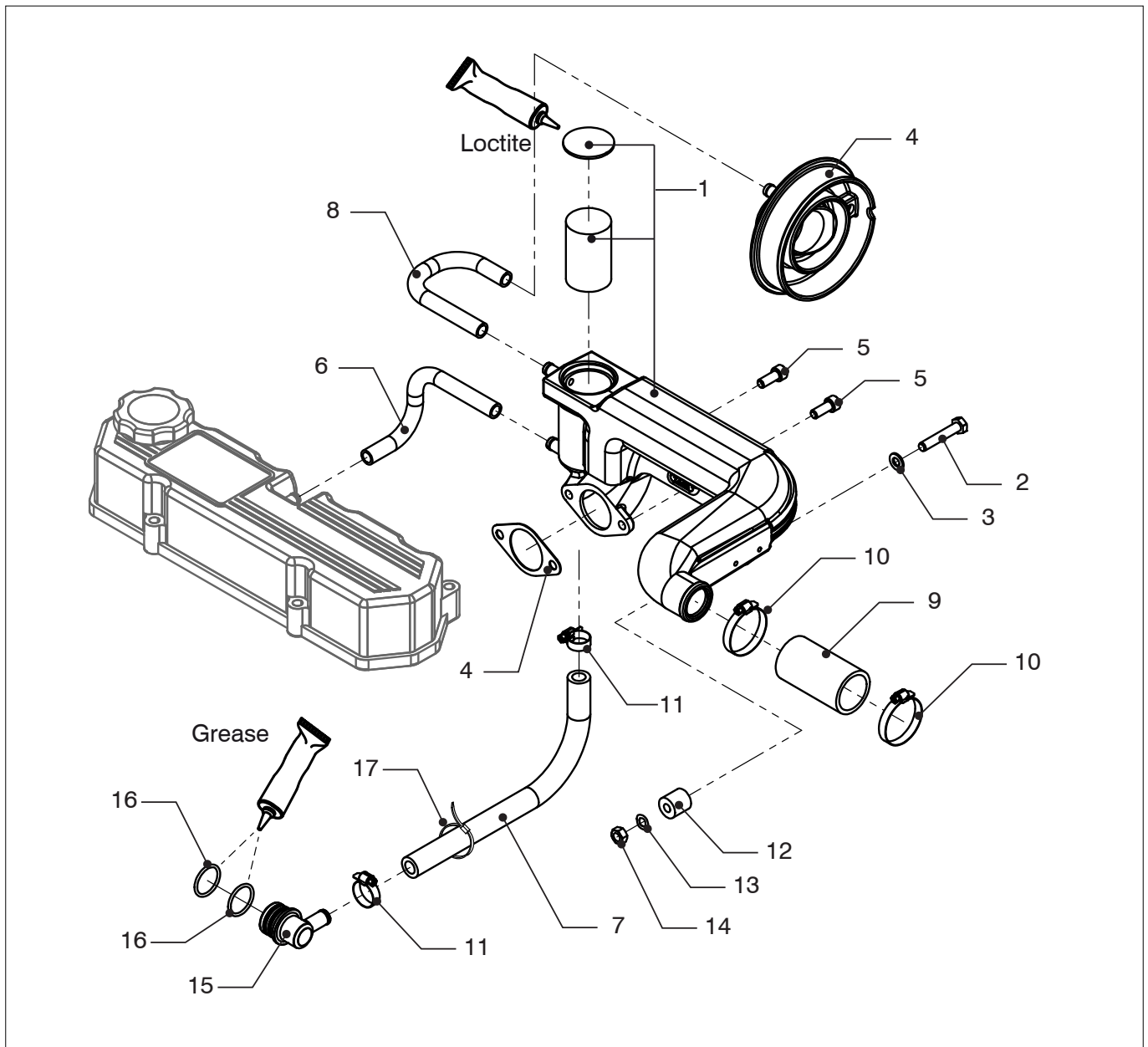


M4.55

Luchtinlaatkast

Air intake housing

pos.	qty	part	benaming	description
1	1	STM7490	Luchtinlaatkanaal compleet	Airintake pipe cpl.
2	1	STM7059	Bout M8x30	Bolt M8x30
3	1	STM1019	Gegolfde veerring M8	Wave spring washer M8
4	1	STM7474	Pakking	Gasket
5	2	STM3742	Inbusbout M8x20	Allen screw M8x20
6	1	STM7483	Slang Ø10 L=350mm	Hose Ø10 L=350mm
7	1	STM7499	Slang Ø12 L=270mm	Hose Ø12 L=270mm
8	1	STM7485	Slang Ø10 L=670mm	Hose Ø10 L=670mm
9	1	STM7475	Slang	Hose
10	2	STM3005	Slangklem 35-50	Hose clamp 35-50
11	2	STM9505	Slangklem 8-16	Hose clamp 8-16

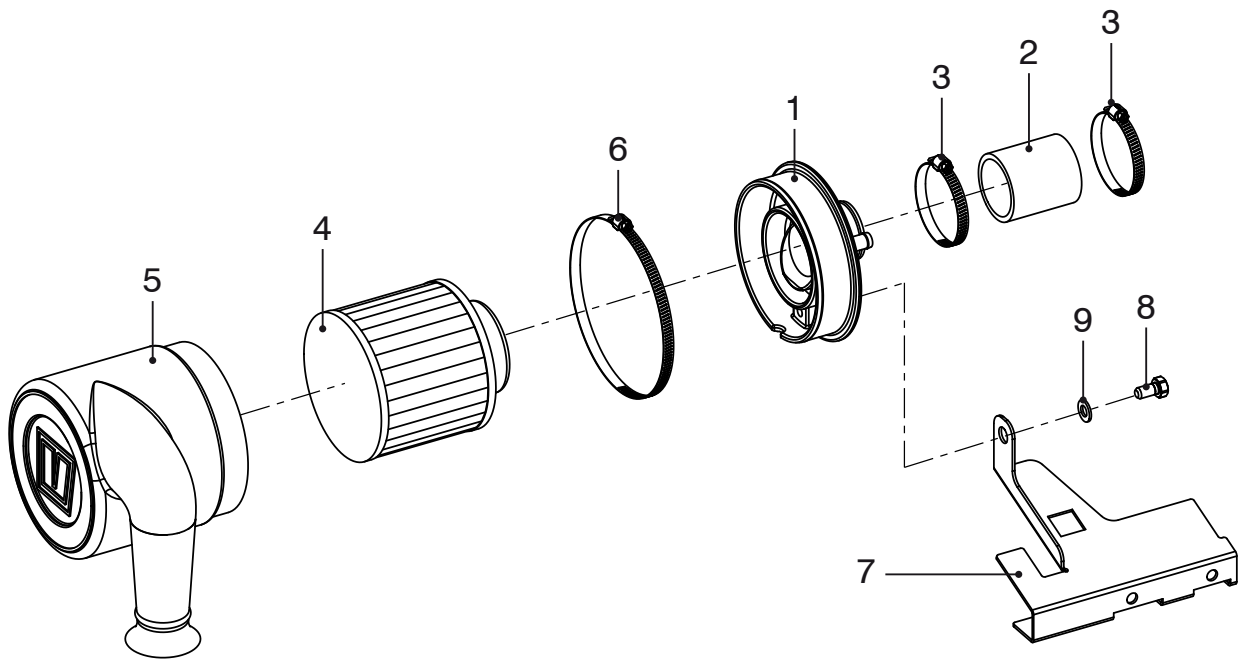


M4.56

Luchtinlaatkast

Air intake housing

pos.	qty	part	benaming	description
1	1	STM7470	Luchtinlaat kanaal compleet	Air intake pipe cpl.
2	1	STM2258	Bout M8x45	Bolt M8x45
3	1	STM1019	Gegolfde veerring M8	Wave spring washer M8
4	1	STM7474	Pakking	Gasket
5	2	STM3742	Inbusbout M8x20	Allen screw M8x20
6	1	08-01472	Slang 10mm l=490	Hose 10mm l=490
7	1	08-01466	Slang 12mm l=250	Hose 12mm l=250
8	1	08-01473	Slang 10mm l=885	Hose 10mm l=885
9	1	STM7475	Slang	Hose
10	2	STM3005	Slangklem 35-50	Hose clamp 35-50
11	2	STM9505	Slangklem 8-16	Hose clamp 8-16
12	1	08-01131	Bus l=20	Bush l=20
13	1	STM1019	Gegolfde veerring M8	Wave spring washer M8
14	1	STM2005	Moer M8	Nut M8
15	1	08-01470	Demister aansluitdeel	Demister connection piece
16	2	08-01471	O-ring 26x2,5	O-ring 26x2,5
17	1	08-01484	T-rap G52	T-rap G52

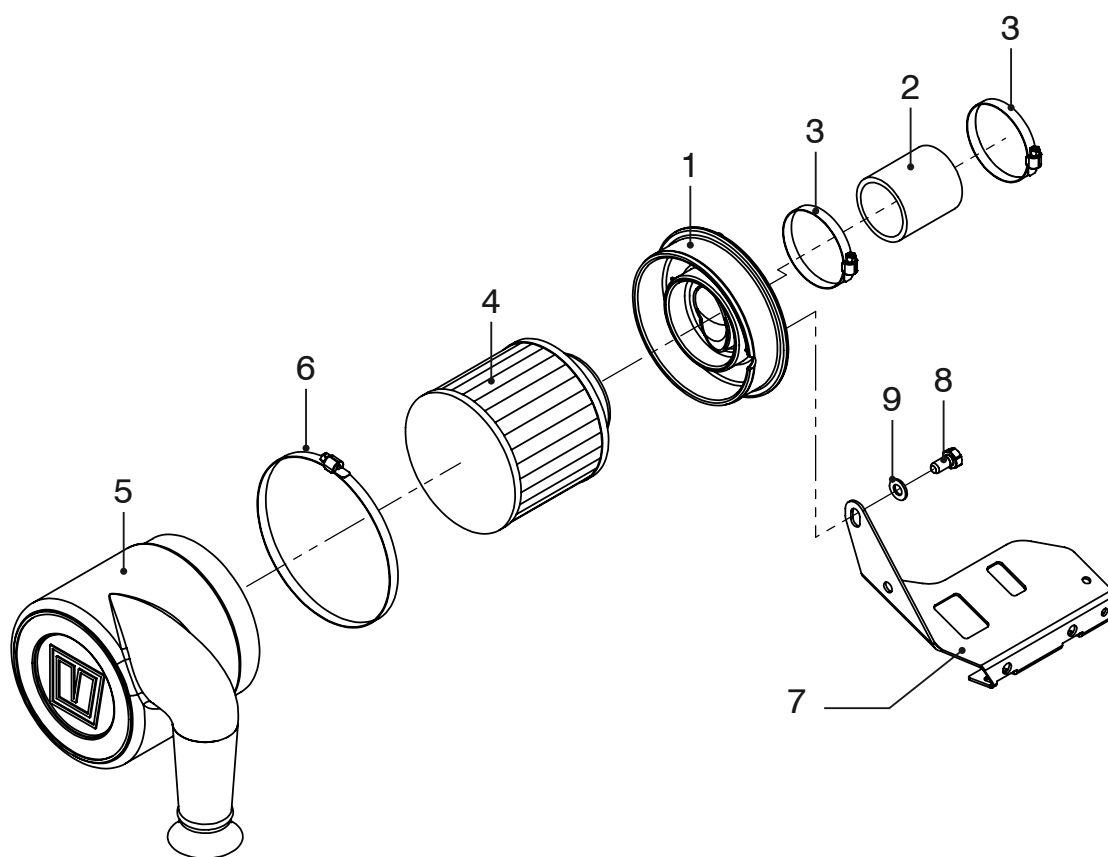


M4.55

Luchtfilter

Air cleaner

pos.	qty	part	benaming	description
1	1	STM7466	Luchtfilter adapter	Air cleaner adapter
2	1	STM7469	Slang	Hose
3	2	STM3005	Slangklem 35-50	Hose clamp 35-50
4	1	STM7467	Luchtfilter element	Air cleaner element
5	1	STM7468	Luchtfilter behuizing	Air cleaner case
6	1	STM9503	Slangklem 110-130	Hose clamp 110-130
7	1	STM7498	Steun oliekoeler	Support oilcooler
8	1	STM4055	Bout M8x16	Bolt M8x16
9	1	STM1653	Ring ø 8,5 x ø 16	Washer ø 8,5 x 16

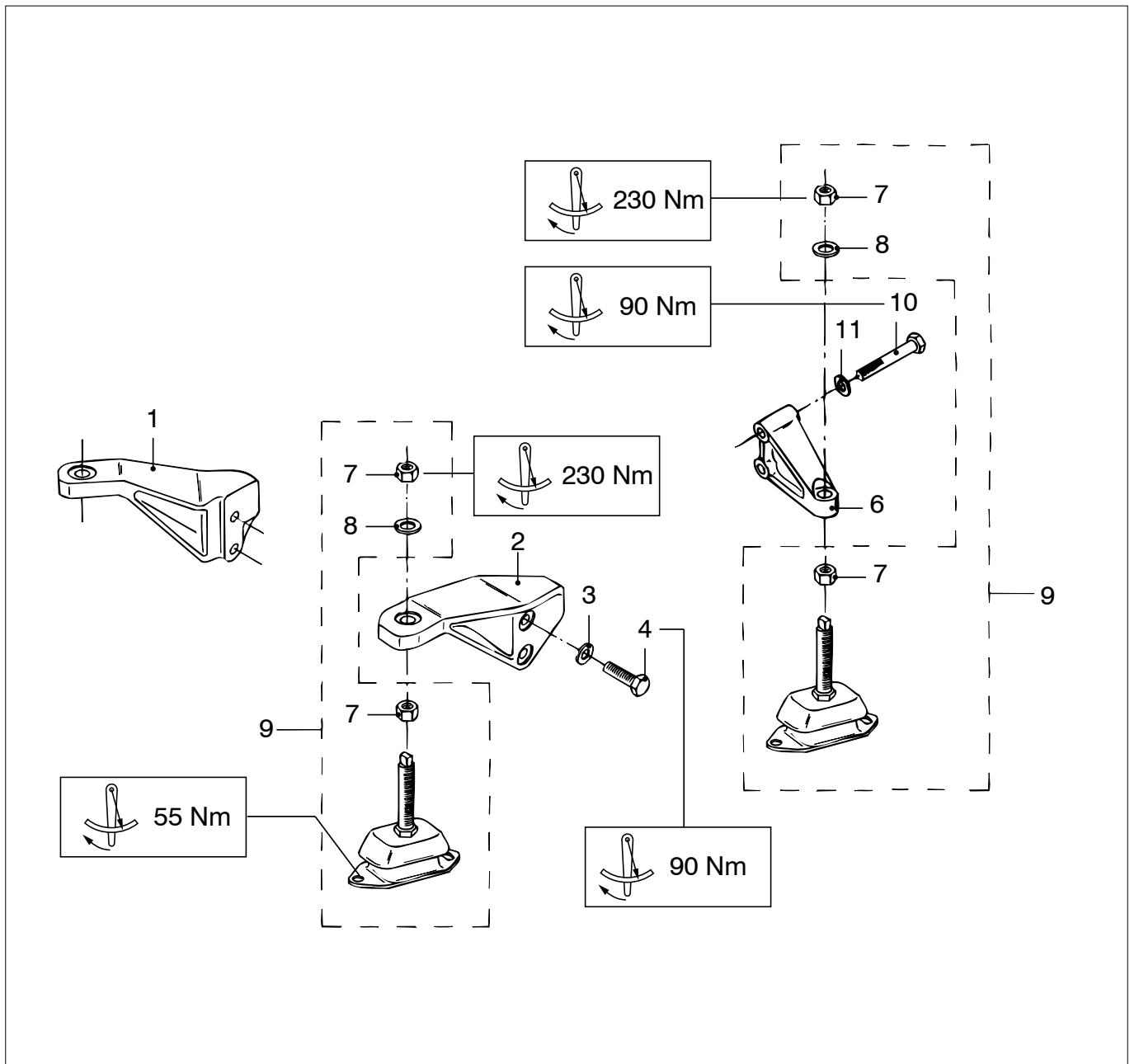


M4.56

Luchtfilter

Air cleaner

pos.	qty	part	benaming	description
1	1	STM7466	Luchtfilter adapter	Air cleaner adapter
2	1	STM7469	Slang	Hose
3	2	STM3005	Slangklem 35-50	Hose clamp 35-50
4	1	STM7467	Luchtfilter element	Air cleaner element
5	1	STM7468	Luchtfilter behuizing	Air cleaner case
6	1	STM9503	Slangklem 110-130	Hose clamp 110-130
7	1	08-01431	Steun oliekoeler	Support oilcooler
8	1	STM4055	Bout M8x16	Bolt M8x16
9	1	STM1653	Ring 8,5x16	Washer 8,5x16

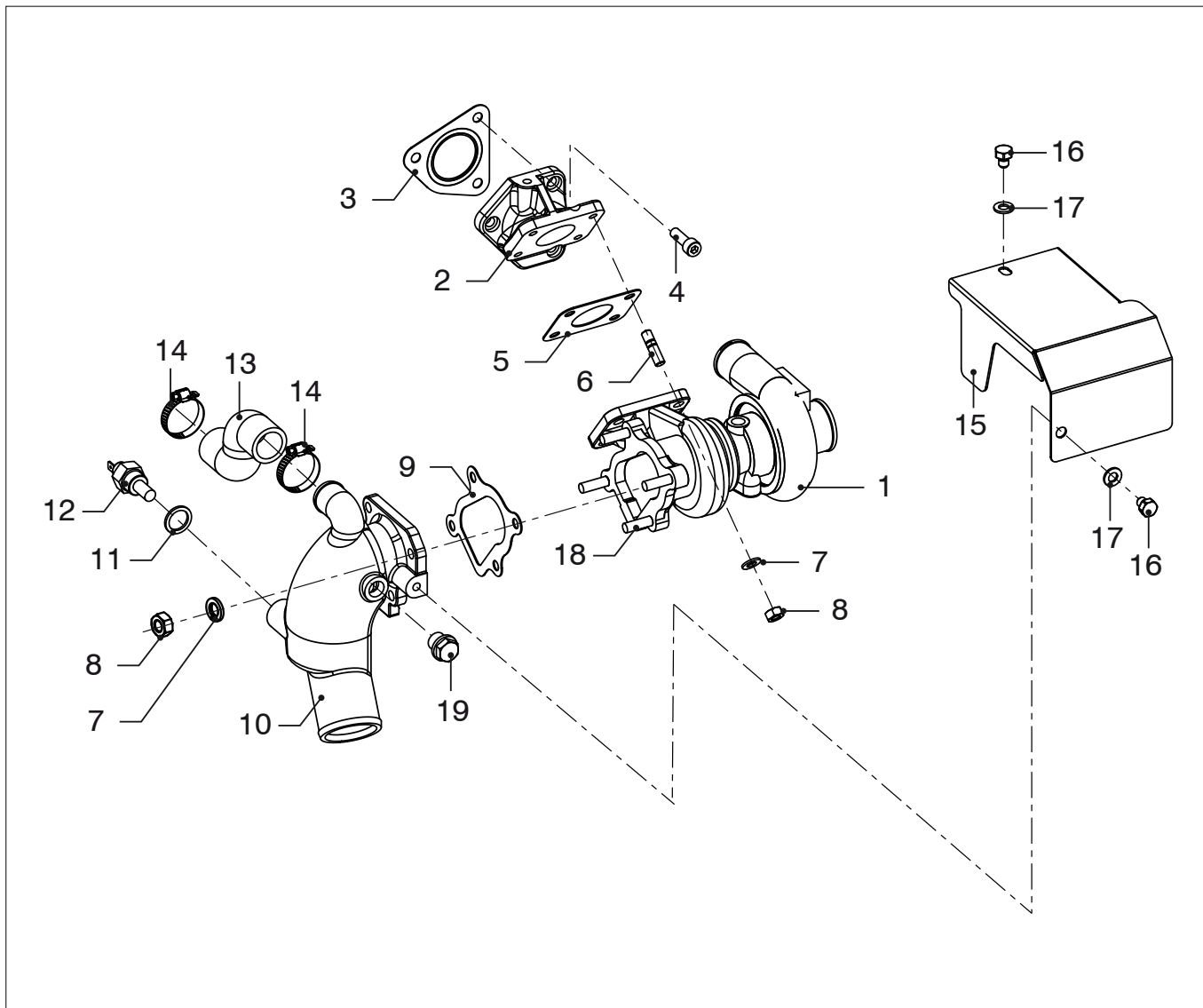


M4.55 M4.56

Motorsteunen

Engine supports

pos.	qty	part	benaming	description
1	1	STM7570	Motorsteun SB	Engine support SB
2	1	STM7571	Motorsteun BB	Engine support PS
3	8	STM4056	Gegolfde veerring M12	Wave spring washer M12
4	4	STM4060	Bout M12x1,25x35	Bolt M12x1.25x35
5	2	STM4010	Moer M16x1,5	Nut M16x1.5
6	2	STM7584	Motorsteun SB-BB	Engine support SB-PS
7	4	STM7595	Bout M12x1,75x65	Bolt M12x1.75x65
8	1	STM4011	Ring M16	Washer M16
9	4	KSTEUN80	Trillingdemper	Engine mount
10	4	STM7595	Bout M12 x 1,75 x 65	Bolt M12 x 1.75 x 65
11	4	STM4056	Gegolfde veerring M12	Wave spring washer M12

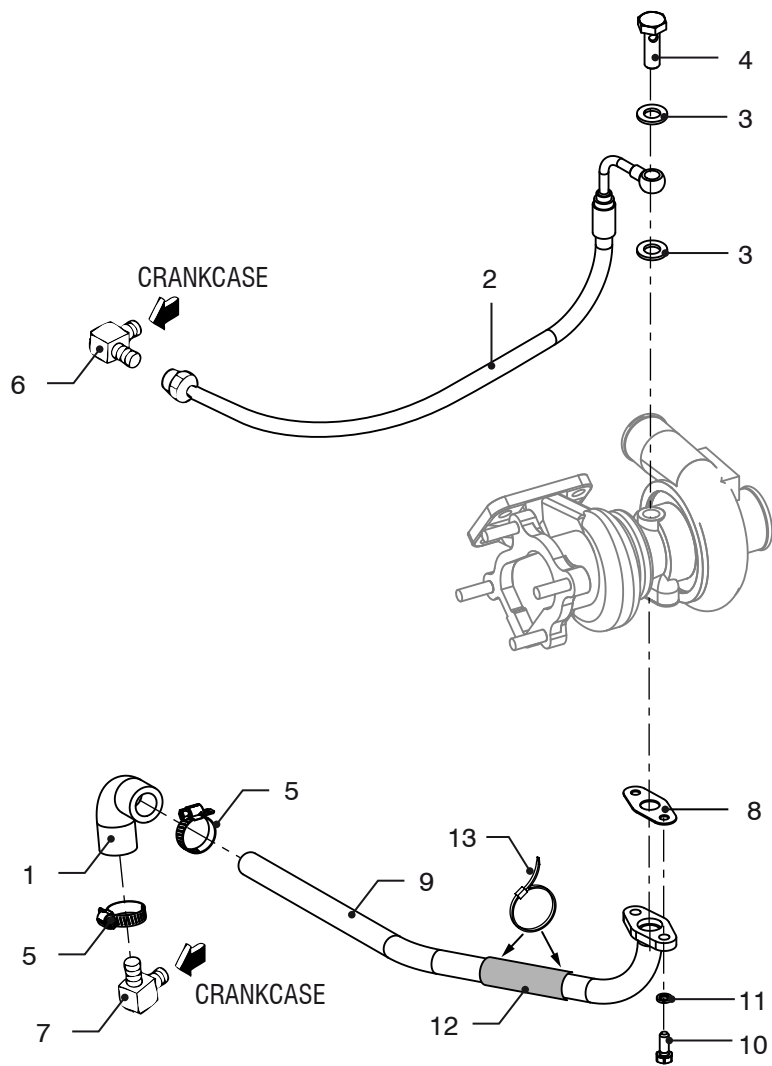


M4.55 M4.56

Turbocompressor

Turbo compressor

pos.	qty	part	benaming	description
1	1	STM7493	Turbo compressor	Turbo compressor
2	1	STM7451	Uitlaat adaptor	Exhaust adapter
3	1	STM7470	Pakking	Gasket
4	3	STM4525	Cilinderkopschroef M8x25	Allen screw M8x25
5	1	STM7471	Pakking	Gasket
6	4	STM9712	Tapeind M8x25 warmte vast	Stud M8x25
7	8	STM8741	Ring M8 warmte vast	Washer M8
8	8	STM9713	Moer M8 warmte vast	Nut M8
9	1	STM7476	Pakking	Gasket
10	1	STM7450	Uitlaat injectiebocht \varnothing 50	Exhaust injection elbow \varnothing 50
	1	08-01011	Uitlaat injectiebocht \varnothing 60	Exhaust injection elbow \varnothing 60
11	1	STM2019	Afdichtring M18	Seal washer M18
12	1	STM2006	Temperatuur schakelaar 75°C	Thermo switch 75°C
13	1	STM7452	Slang	Hose
14	2	STM2012	Slangklem 19-28	Hose clamp 19-28
15	1	STM9872	Turbo isolatiekast	Turbo insulation case
16	2	STM4055	Bout M8x15	Bolt M8x15
17	2	STM1653	Ring M8	Washer M8
18	4	STM9712	Tapeind	Stud
19	1	STM3071	Afdichtstop G3/8	Plug G3/8

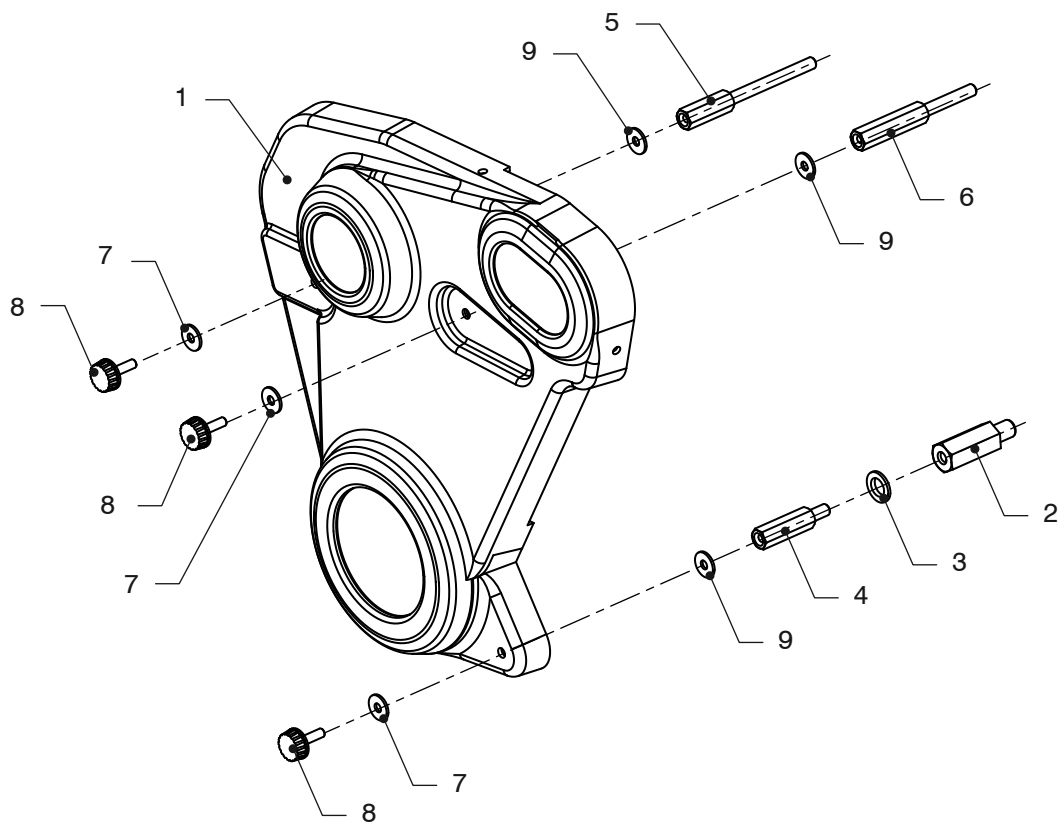


M4.55 M4.56

Turbo smeerolie

Turbo lubricating oil

pos.	qty	part	benaming	description
1	1	STM7497	Siliconen bocht	Silicon elbow
2	1	STM7457	Slang turbo toevoerolie	Hose turbo
3	2	STM2018	Afdichtring M10	Seal washer M10
4	1	STM7487	Banjo bout M10x1,25	Banjo-bolt M10x1.25
5	2	STM9877	Slangklem 12-22	Hose clamp 12-22
6	1	STM9931	Kniestuk toevoer	Elbow supply
7	1	STM9930	Kniestuk retour	Elbow return
8	1	STM7477	Pakking	Gasket
9	1	STM7455	Olieteruglooppijp	Oil return pipe
10	2	STM1024	Bout M6 x 16	Bolt M6 x 16
11	2	CT40029	Veerring M6	Spring washer M6
12	1	08-01485	Isolatiekous	Insulation sleeve
13	2	08-01484	Ty-rap G-52	Ty-rap G-52

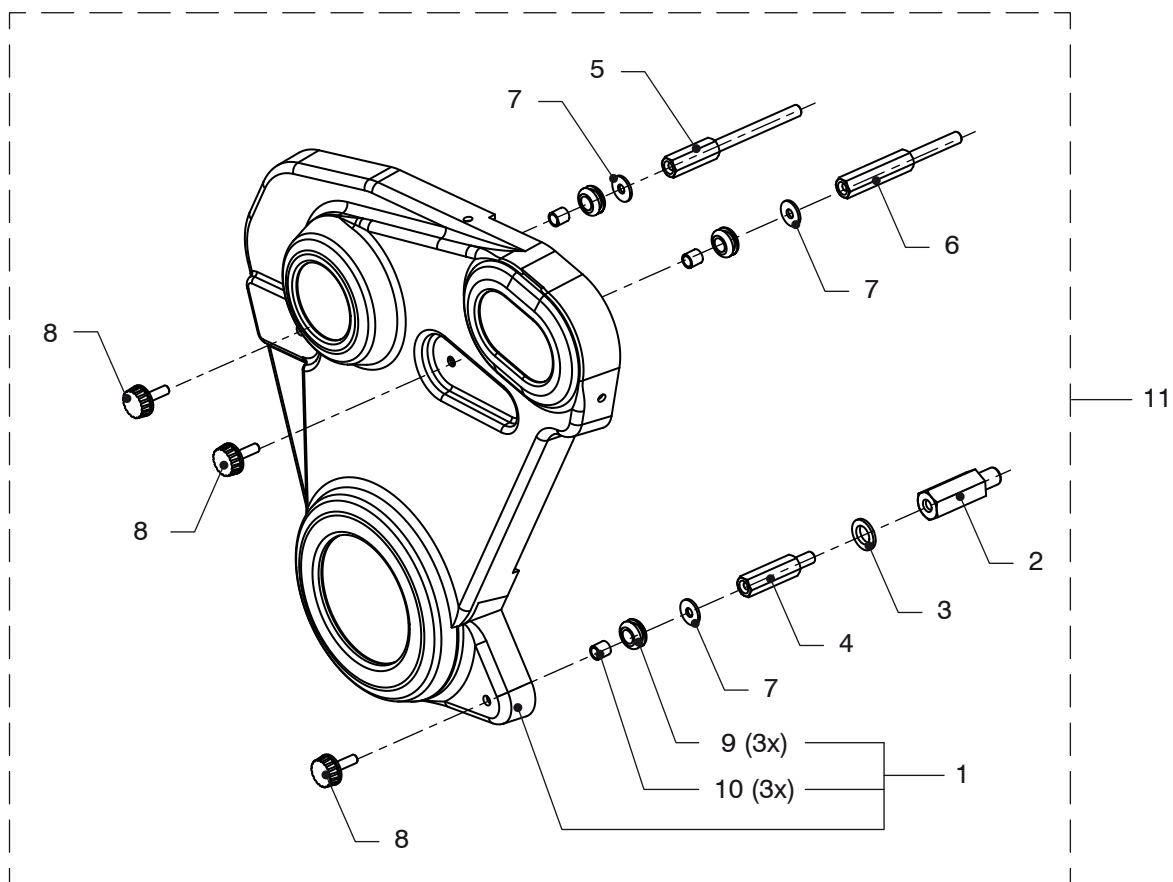


M4.55 M4.56

Afschermkap 2016-04 <-

Protection cover 2016-04 <-

pos.	qty	part	benaming	description
1	1	08-01329	Afschermkap	Protection cover
2	1	STM9860	Afstandsstuk	Stud
3	1	CT30059	Ring d=4	Washer d=4
4	1	08-01327	Afstandsstuk	Stud
5	1	08-01328	Afstandsstuk	Stud (10 Nm)
6	1	08-01325	Afstandsstuk	Stud (10 Nm)
7	3	STM8726	Ring M6 3D	Washer M6 3D
8	3	08-01277	Draaiknop	Turning knob
9	3	08-01292	Anti verliesring	Anti-loss ring

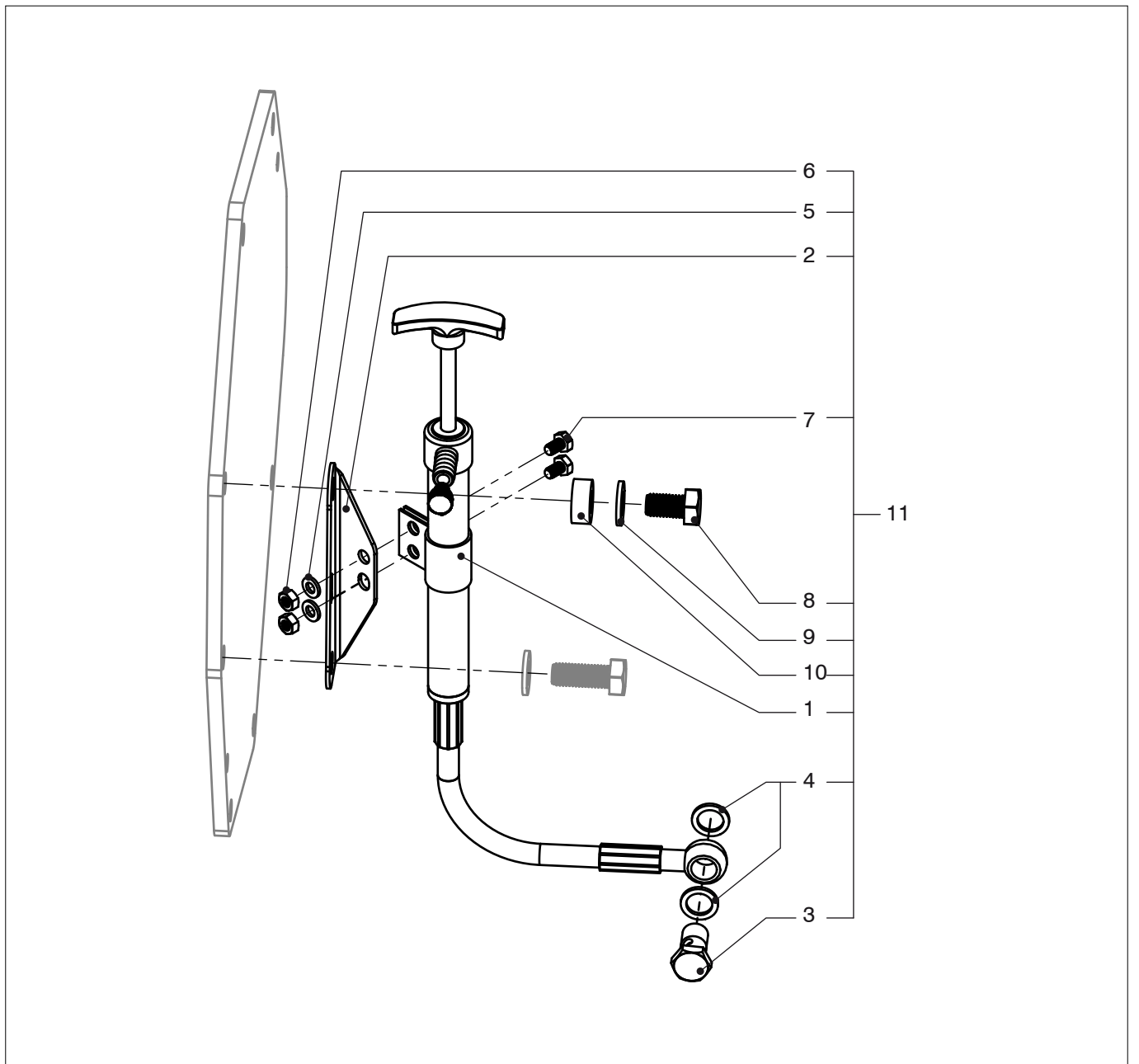


M4.55 M4.56

Afschermkap 2016-04 ->

Protection cover 2016-04 ->

pos.	qty	part	benaming	description
1	1	08-01329	Afschermkap	Protection cover
2	1	STM9860	Afstandsstuk	Stud
3	1	CT30059	Ring d=4	Washer d=4
4	1	08-01327	Afstandsstuk	Stud
5	1	08-01328	Afstandsstuk	Stud (10 Nm)
6	1	08-01325	Afstandsstuk	Stud (10 Nm)
7	3	STM8726	Ring M6 3D	Washer M6 3D
8	3	08-01277	Draaiknop	Turning knob
9	3	08-01495	Rubber doorvoer	Rubber grommet
10	3	08-01496	Bus	Bush
11	1	VBELTCOVERM4	Set afschermkap compl. M4	Set protection cover cpl. M4

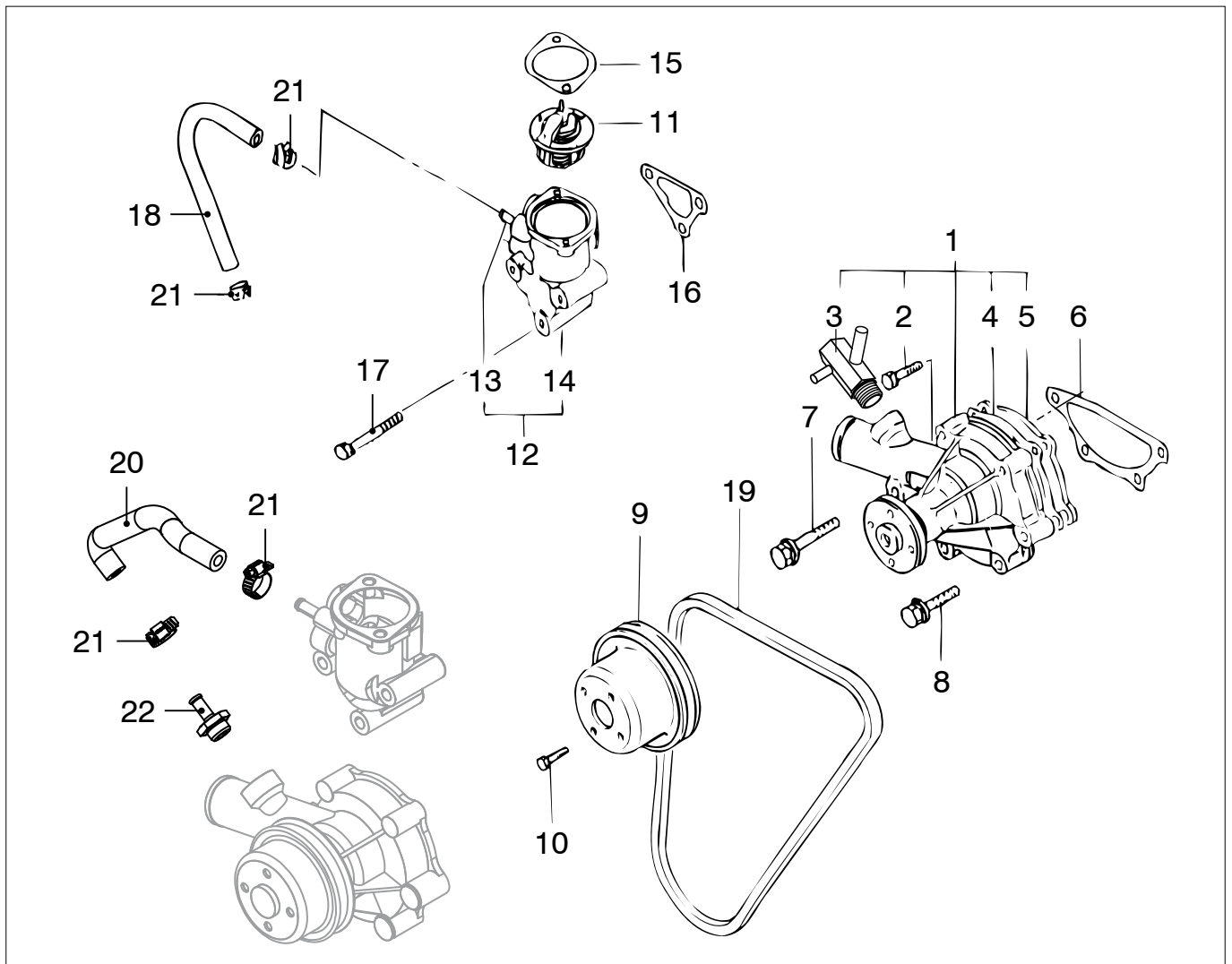


M4.56

Olieaftappomp

Oil drain pump

pos.	qty	part	benaming	description
1	1	15-2624	Pomp + slang met banjo aansluiting	Pump compl. with hose
2	1	15-2520	Steun	Support
3	1	STM7443	Banjo-bout M14	Banjo bolt M14
4	2	STM1062	Afdichtring M14	Seal washer M14
5	2	STM1019	Veerring M8	Spring washer M8
6	2	STM2005	Moer M8	Nut M8
7	2	STM4055	Bout M8 x 16	Bolt M8 x 16
8	1	15-2978	Bout M12 x 1,25 x 20	Bolt M12 x 1,25 x 20
9	1	STM4003	Veerring M12	Spring washer M12
10	1	15-2976	Vulbus M12	Spacer M12
11	1	15-2992	Set compleet	Kit cpl.

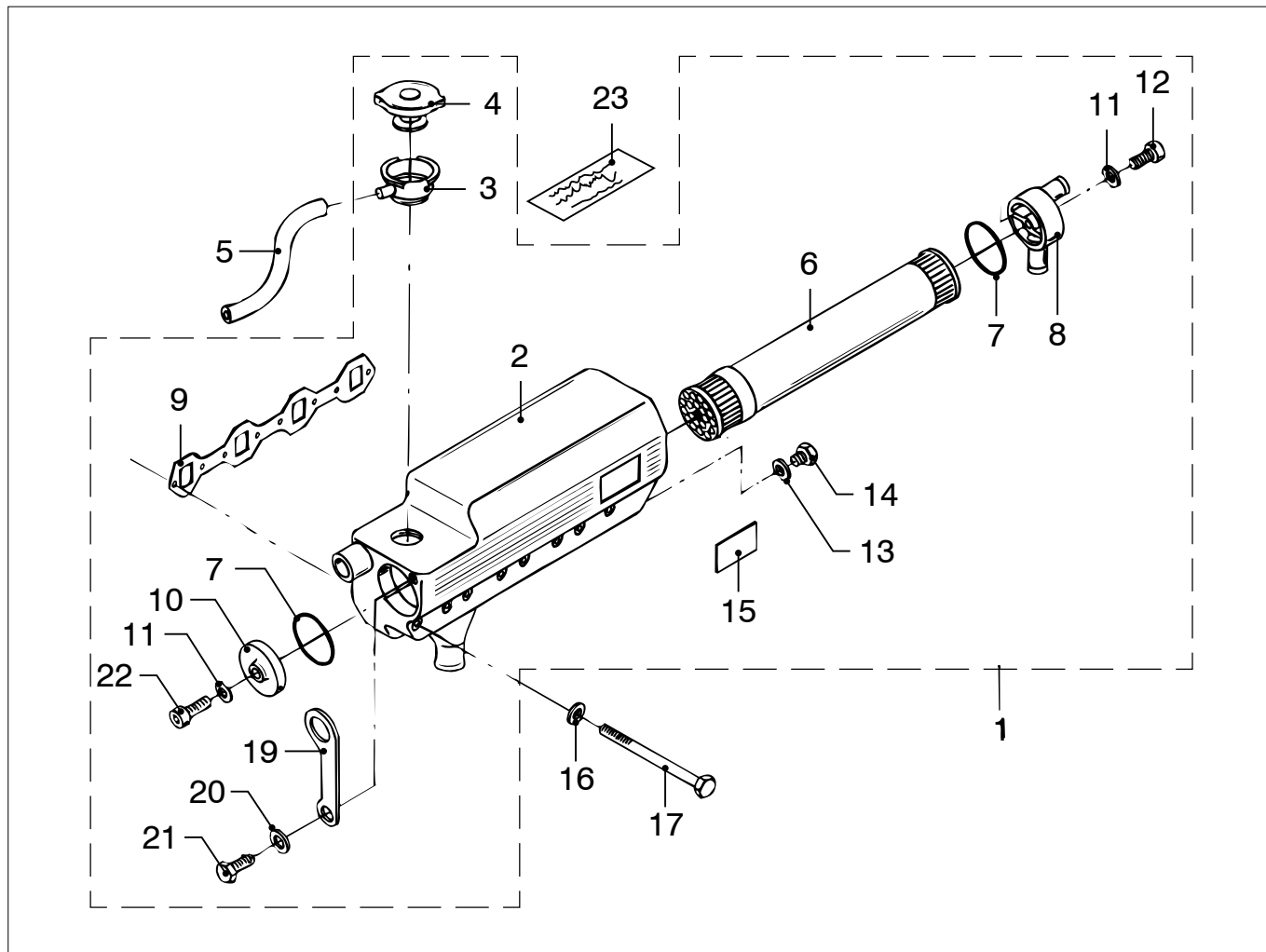


M4.55 M4.56

Circulatiepomp

Circulation pump

pos.	qty	part	benaming	description
1	1	STM9951	Circulatiepomp cpl.	Circulation pump cpl.
2	2	STM7844	Bout	Bolt
3	1	STM9445	Nippel 06-2009 <-	Nipple 06-2009 <-
4	1	STM2682	Pakking	Gasket
5	1	STM2683	Plaat	Plate
6	1	STM7846	Pakking	Gasket
7	3	STM7847	Bout	Bolt
8	1	STM7848	Bout	Bolt
9	1	STM7849	Pulley	Pulley
10	4	STM7850	Bout	Bolt
11	1	STM7654	Thermostaat 76,5°C	Thermostat 76,5°C
12	1	STM7852	Thermostaathuis cpl.	Thermostat housing cpl.
13	1	STM7853	Pijp	Pipe
14	1	STM7854	Thermstaathuis	Thermostat housing
15	1	STM7855	Pakking	Gasket
16	1	STM7856	Pakking	Gasket
17	3	STM7857	Bout	Bolt
18	1	STM9954	Slang 06-2009 <-	Hose 06-2009 <-
19	1	STM7643	V-snaar	V-belt
20	1	STM9440	Slang 06-2009 ->	Hose 06-2009 ->
21	2	STM9505	Slangklem	Hose clamp
22	1	STM9441	Slangpilaar 06-2009 ->	Hose pillar 06-2009 ->

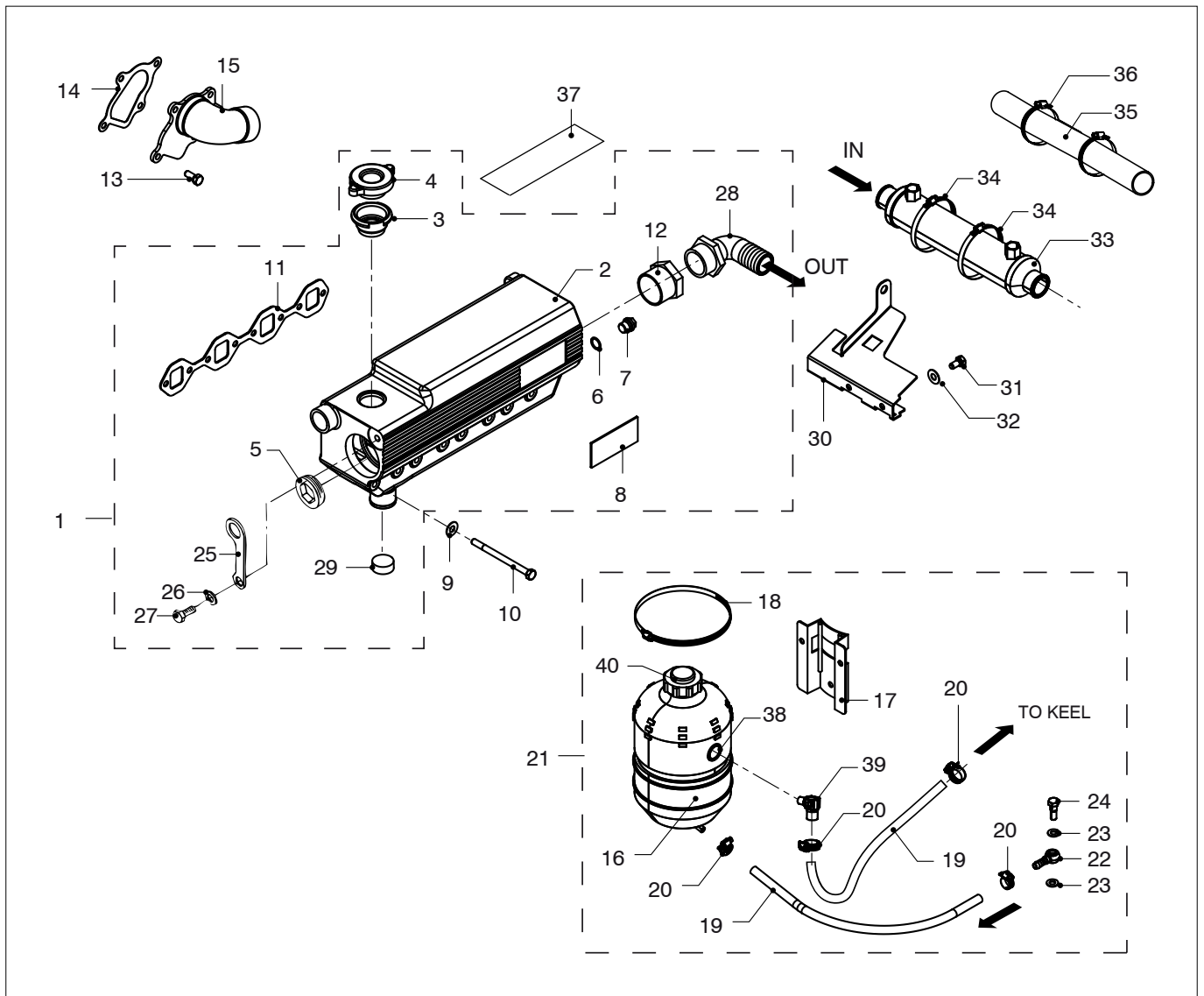


M4.55 M4.56

Warmtewisselaar unit

Heat exchanger unit

pos.	qty	part	benaming	description
1	1	STM7552	Warmtewisselaar compleet	Heat exchanger cpl.
2	1	STM7551	Warmtewisselaarhuis	Heat exchanger housing
3	1	STM6108	Vulnek	Filler neck
4	1	STM1017	Vuldop 0,5bar	Filler cap 0.5bar
5	1	STM1027	Slang vulnek l=0,4mtr.	Hose filler neck l=0.4mtr.
6	1	STM7555	Pijpenbundel	Tube stack
7	2	STM6113	O-ring 61x2,5 FPM (groen)	O-ring 61x2.5 FPM (green)
8	1	STM6503	Aansluitdeksel	Cover
9	1	STM7825	Pakking	Gasket
10	1	STM7446	Deksel	Cover
11	2	08-01108	Afdichtring	Seal washer
12	1	STM1006	Inbusbout M8x30	Allen screw M8x30
13	1	STM1062	Afdichtring	Seal washer
14	1	STM1059	Plug M14x1,5	Plug M14x1.5
15	1	STM6531	Logo plaatje	Model plate
16	8	STM1019	Gegolfde veerring M8	Wave spring washer M8
17	8	STM6121	Bout M8x1,25x110	Bolt M8x1.25x110
18	1	STM7825	Uitlaatpakking	Exhaust gasket
19	1	STM7710	Hijsoog	Lifting eye
20	1	STM4014	Veerring M10	Spring washer
21	1	STM3705	Bout M10x1,25x25	Bolt M10x1.25x25
22	1	STM7648	Imbusbout M8 x 20 lage kop	Allen screw M8 x 20 low head
23	1	STM7481	Sticker M4.55	Sticker M4.55

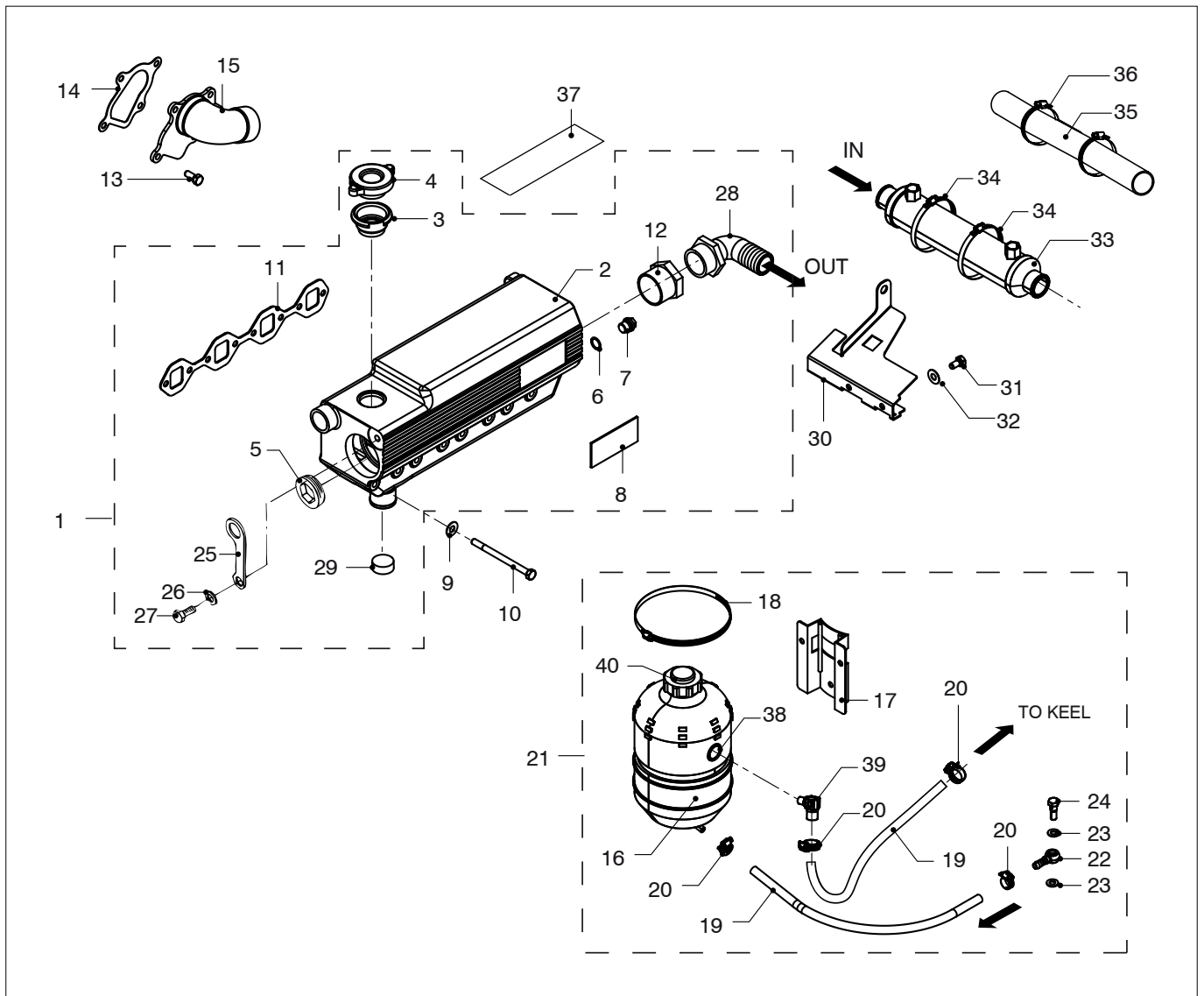


M4.55

Kielkoelspruitstuk

Keel cooler manifold

pos.	qty	part	benaming	description
1	1	STM9881	Kielkoelspruitstuk cpl.	Keel cooler manifold cpl.
2	1	STM7553	Kielkoelspruitstuk	Keel cooler manifold
3	1	STM3750	Vulnek	Filler neck
4	1	STM9507	Vuldop 'do not open'	Filer cap 'do not open'
5	1	STM4043	Plug G1 1/2	Plug G1 1/2
6	1	STM1062	Afdichtring	Seal washer
7	1	STM1059	Plug M14x1,5	Plug M14x1,5
8	1	STM6531	Logo plaatje	Model plate
9	8	STM1019	Gegolfde veerring M8	Wave spring washer M8
10	8	STM3121	Bout M8x1,25x110	Bolt M8x1,25x110
11	1	STM7825	Uitlaatpakking	Exhaust gasket
12	1	STM9873	Nippel G1 1/2 G => 1 1/4	Nipple G1 1/2 => G1 1/4
13	4	STM7496	Bout M8x20	Bolt M8x20
14	1	STM7476	Pakking	Gasket
15	1	STM7489	Uitlaatflens G1 1/2 90°	Exhaust flange G1 1/2 90°
16	1	STM9513	Expansietank	Header tank
17	1	STM9502	Bevestigingsbeugel	Support
18	1	STM9503	Slangklem 120-140	Hose clamp 120-140
19	2	STM9504	Slang l=1,5 mtr	Hose l=1,5 mtr
20	4	STM9505	Slangklem mini 14	Hose clamp mini 14

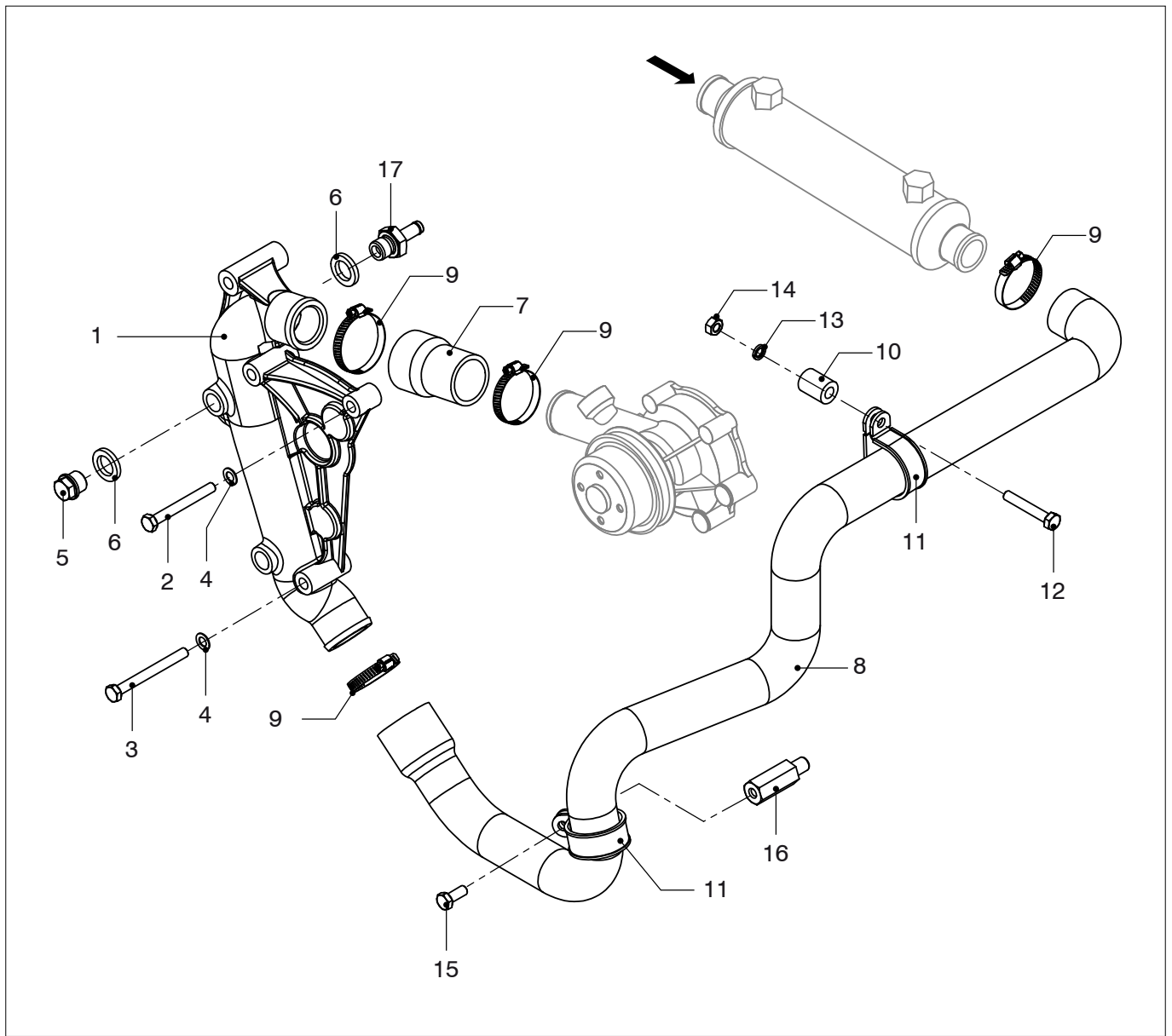


M4.55

Kielkoelspruitstuk

Keel cooler manifold

pos.	qty	part	benaming	description
21	1	STM9514	Expansietank cpl.	Header tank cpl
22	1	STM6198	Banjo-oog	Banjo eye
23	2	STM2018	Afdichtring	Seal washer
24	1	STM7586	Banjo bout	Banjo bolt
25	1	STM7710	Hijsoog	Lifting eye
26	1	STM4014	Veerring M10	Spring washer M10
27	1	STM3705	Bout M10x1,25x25	Bolt M10x1,25x25
28	1	STM9447	Slangpilaar G1 1/4- ø 32 90°	Hose pillar G1 1/4- ø 32 90°
29	1	STM7679	Plug M30x1,5	Plug M30x1,5
30	1	STM7498	Bev.steun	Support
31	2	STM4055	Bout M8x1,25x16	Bolt M8x1,25
32	2	STM1019	Gegolfde veerring M8	Wave spring washer M8
33	1	STM3771	Oliekoeler 9"x ø 55-G3/8- ø 33	Oil cooler 9"x ø 55-G3/8- ø 33
34	2	STM8148	Slangklem 58-75 mm	Hose clamp 58-75 mm
35	2	STM3012	Slangklem	Hose clamp
36	1	08-01005	Pijp	Pipe
37	1	STM7481	Sticker M4.55	Sticker M4.55
38	1	STM9511	Tule	Grommet
39	1	STM9512	Slangpilaar	Hose pillar
40	1	08-01141	Drukdop	Pressure cap

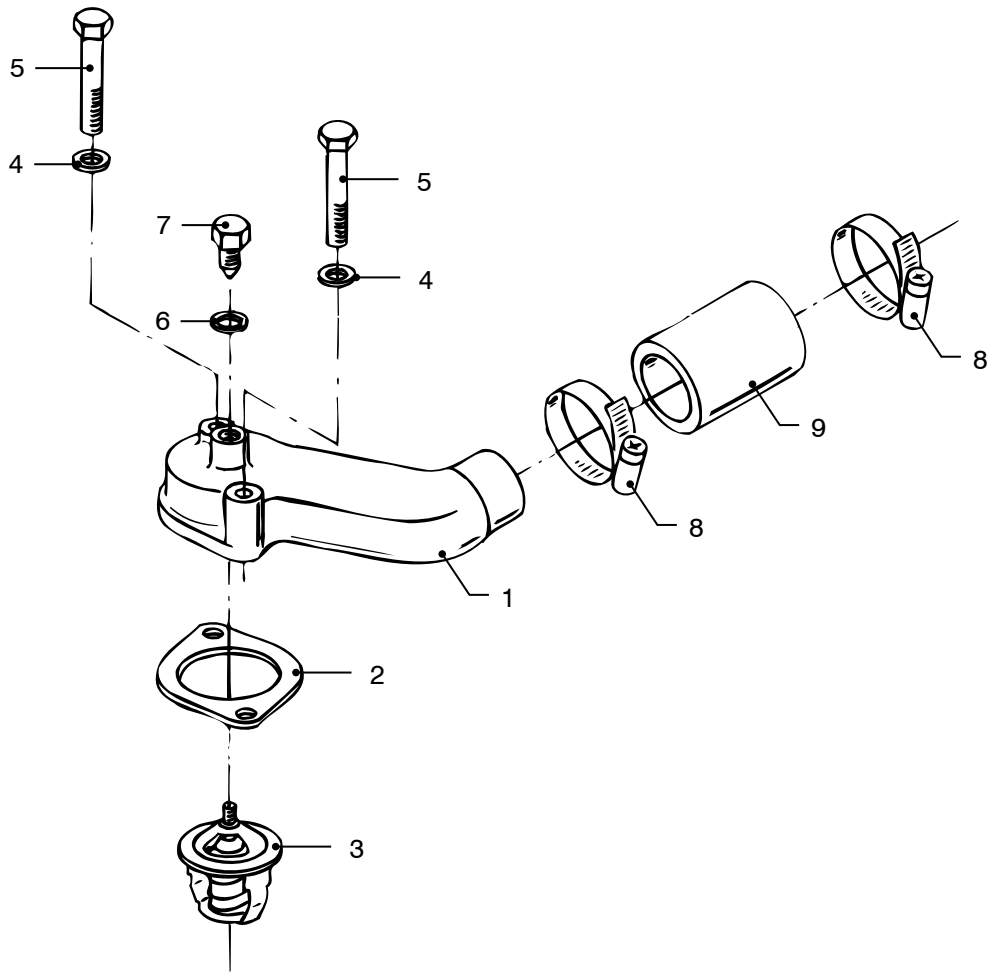


M4.55

Aansluiting circulatiepomp, kielkoeling

Connection of circulation pump, keel cooling

pos.	qty	part	benaming	description
1	1	STM9851	Dynamosteun/koelwaterpijp	Alternator bracket/coolant pipe
2	1	STM9682	Bout M8x75	Bolt M8x75
3	2	STM8126	Bout M8x90	Bolt M8x90
4	3	STM1019	Gegolfde veerring M8	Wave spring washer M8
5	2	STM7285	Plug G3/8	Plug G3/8
6	3	08-01182	Afdichtring	Seal washer
7	1	STM9852	Slang	Hose
8	1	STM9895	Slang	Hose
9	4	STM3005	Slangklem 32-44	Hose clamp 32-44
10	1	STM7674	Bus	Spacer
11	2	STM9859	Klem	Clamp
12	1	STM3355	Bout	Bolt
13	1	STM1056	Veerring	Spring washer
14	1	STM2005	Moer	Nut
15	1	STM3355	Bout	Bolt
16	1	STM9860	Adapter	Adapter
17	1	STM9780	Slangpilaar G 3/8-10	Hose pillar G 3/8-10

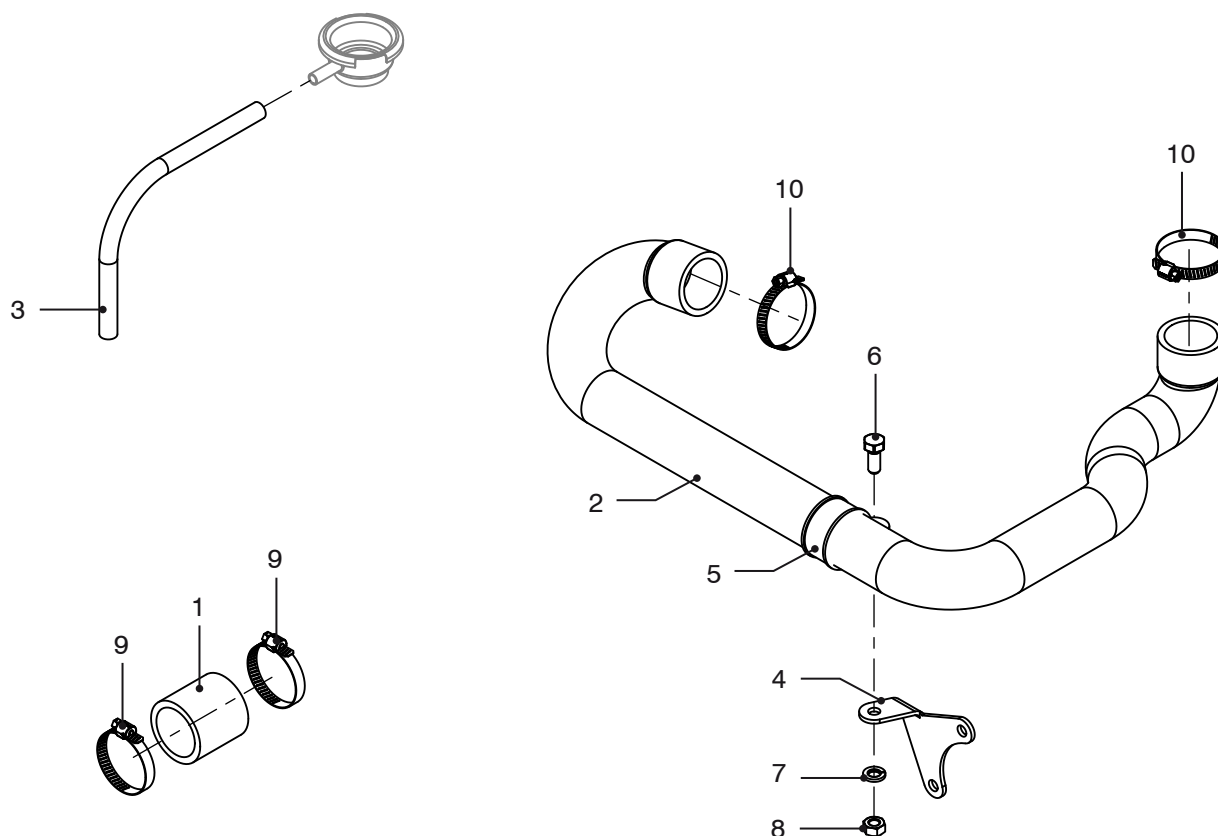


M4.55 M4.56

Thermostaathuis

Thermostat housing

pos.	qty	part	benaming	description
1	1	STM7559	Thermostaathuis	Thermostat housing
2	1	STM7855	Pakking	Gasket
3	1	STM7654	Thermostaat 76,5°C	Thermostat 76,5°C
4	2	STM1019	Gegolfde veerring M8	Wave spring washer M8
5	2	STM2261	Bout M8x1,25x40	Bolt M8x1.25x40
6	1	STM3797	Afdichtring	Seal washer
7	1	STM3796	Bout M8x1,25x10	Bolt M8x1.25x10
8	2	STM3005	Slangklem 32-44	Hose clamp 32-44
9	1	STM7560	Slang thermostaathuis <-> WW	Hose thermostathousing <-> heatexchanger

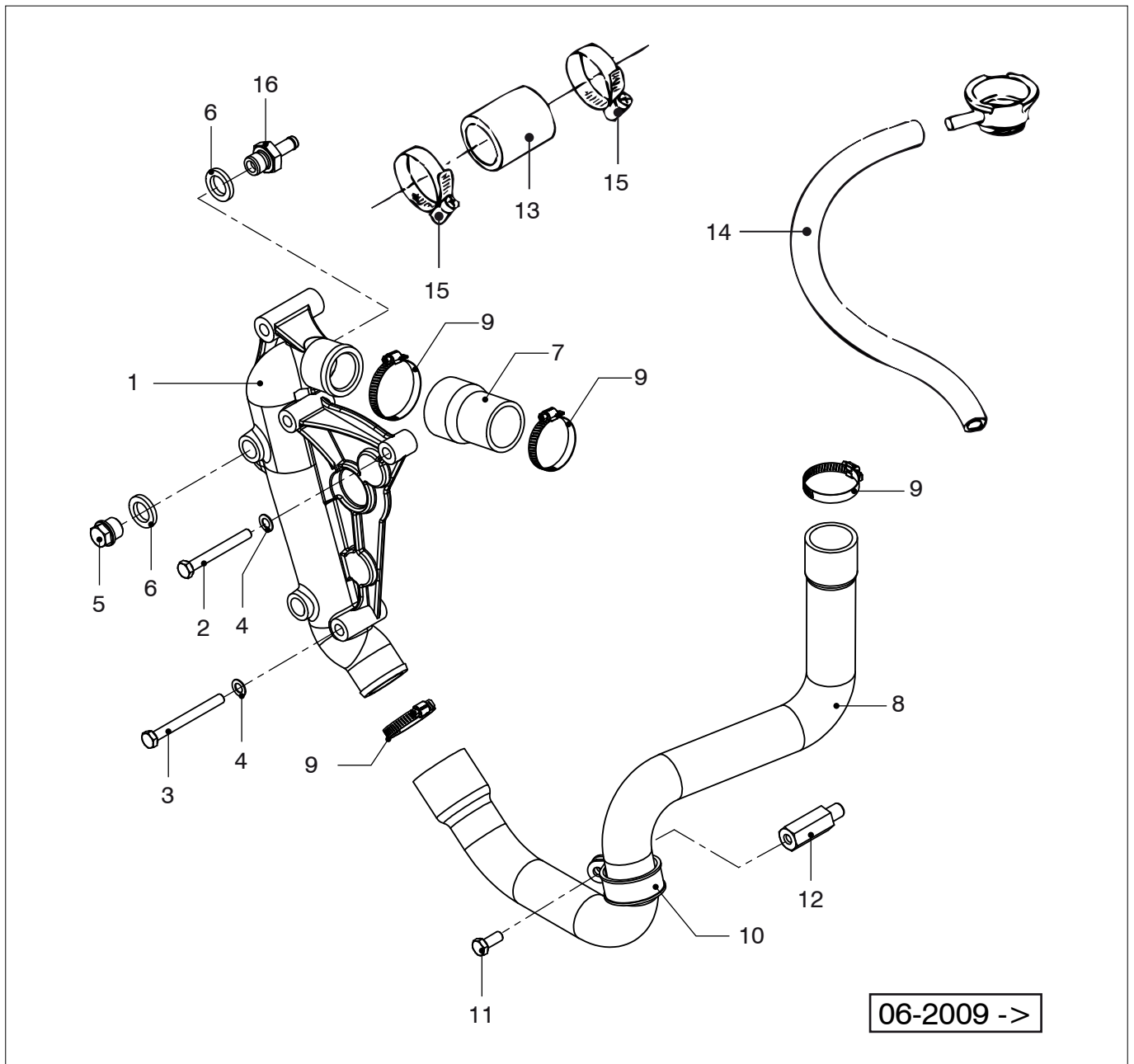


06-2009 <-

M4.55

Slangen - koelsysteem, binnenwater 06-2009 <- Hoses - cooling system, coolant 06-2009 <-

pos.	qty	part	benaming	description
1	1	STM7560	Slang thermostaat	Hose thermostat
2	1	STM3091	Slang ww-circulatiepomp	Hose heat ex. Circulationpump
3	1	STM1027	Slang vulnek	Hose filler neck
4	1	STM7565	Steun	Support
5	1	STM3061	Klem RSGU1.35/20W1	Clamp RSGU1.35/20W1
6	1	STM3355	Bout M8x20	Bolt M8x20
7	1	STM1056	Veerring M8	Spring washer M8
8	1	STM2005	Moer M8	Nut M8
9	2	STM3005	Slangklem 35-50	Hose clamp 35-50
10	2	STM3005	Slangklem 35-50	Hose clamp 35-50

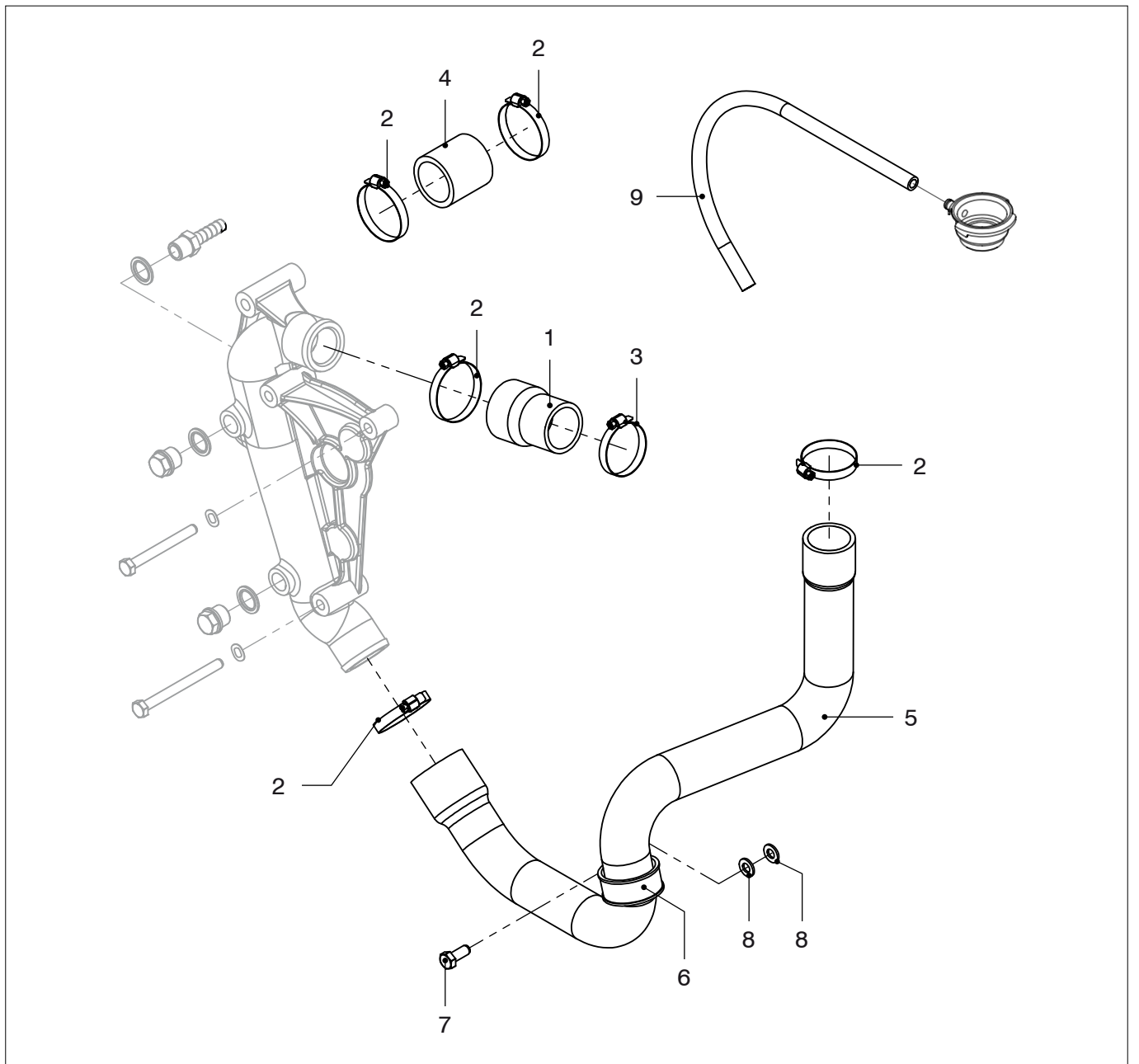


M4.55

Slangen - koelsysteem, binnenwater 06-2009 ->

Hoses - cooling system, coolant 06-2009 ->

pos.	qty	part	benaming	description
1	1	STM9851	Dynamosteun/koelwaterpijp	Alternator bracket/coolant pipe
2	1	STM9682	Bout M8x75	Bolt M8x75
3	2	STM8126	Bout M8x90	Bolt M8x90
4	3	STM1019	Gegolfde veerring M8	Wave spring washer M8
5	2	STM7285	Plug G3/8	Plug G3/8
6	3	08-01182	Afdichtring	Seal washer
7	1	STM9852	Slang	Hose
8	1	STM9853	Slang	Hose
9	4	STM3005	Slangklem 32-44	Hose clamp 32-44
10	1	STM9859	Klem 45mm	Clamp 40mm
11	1	STM3355	Bout M8x20	Bolt M8x20
12	1	STM9860	Adapter M12x1,25->M8x1,25	Adapter
13	1	STM7560	Slang thermostaathuis <-> ww	Hose thermostat housing <-> heat exch.
14	1	STM1027	Slang vulnek l=0,4mtr.	Hose l=0.4mtr.
15	2	STM3005	Slangklem 32-44	Hose clamp 32-44
16	1	STM9780	Slangpilaar G 3/8-10	Hose pillar G 3/8-10

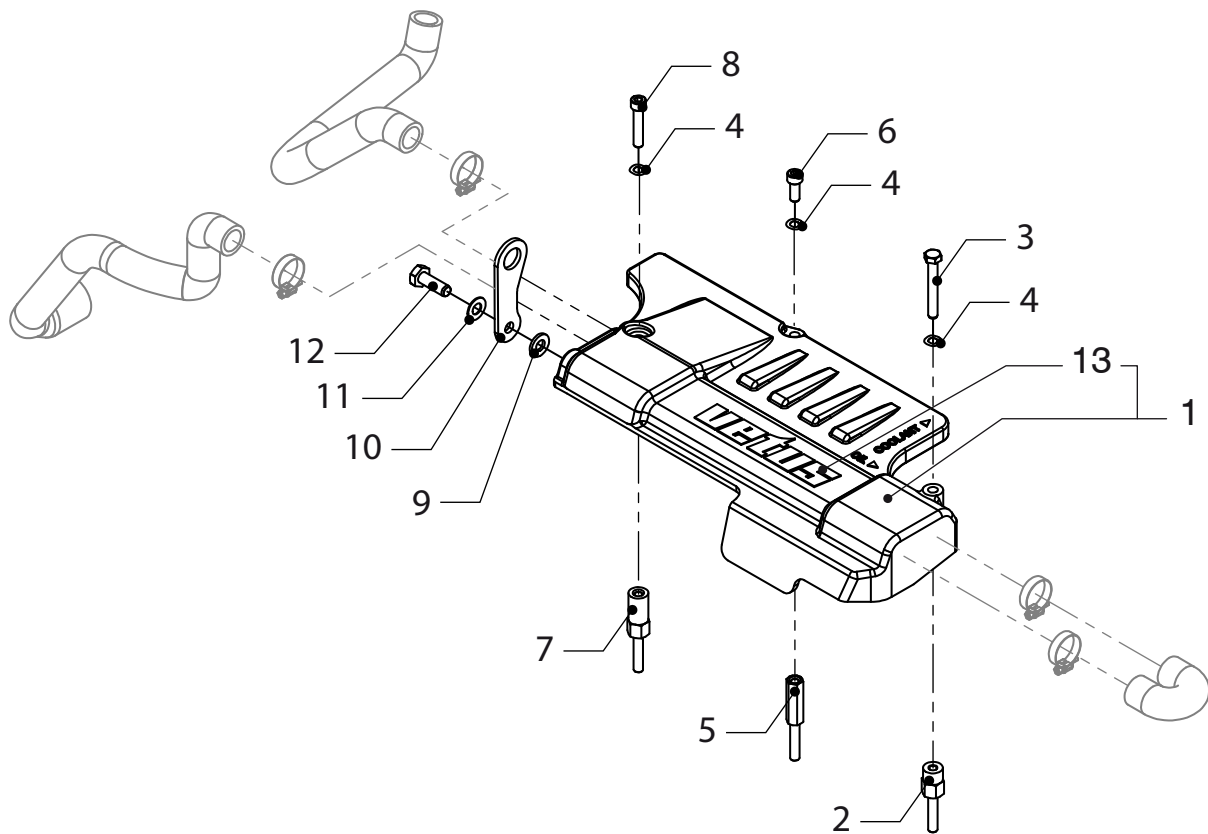


M4.56

Slangen - koelsysteem, binnenwater

Hoses - cooling system, coolant

pos.	qty	part	benaming	description
1	1	STM9852	Slang	Hose
2	5	STM3005	Slangklem 35-50	Hose clamp 35-50
3	1	STM6116	slangklem 25-40	Hose clamp 35-40
4	1	STM7560	Slang	Hose
5	1	08-01452	Slang	Hose
6	1	STM3061	Klem	Clamp
7	1	STM3355	Bout M8x20	Bolt M8x20
8	2	STM1653	Ring M8	Washer M8
9	1	STM1027	Slang vulnek	Hose filler neck

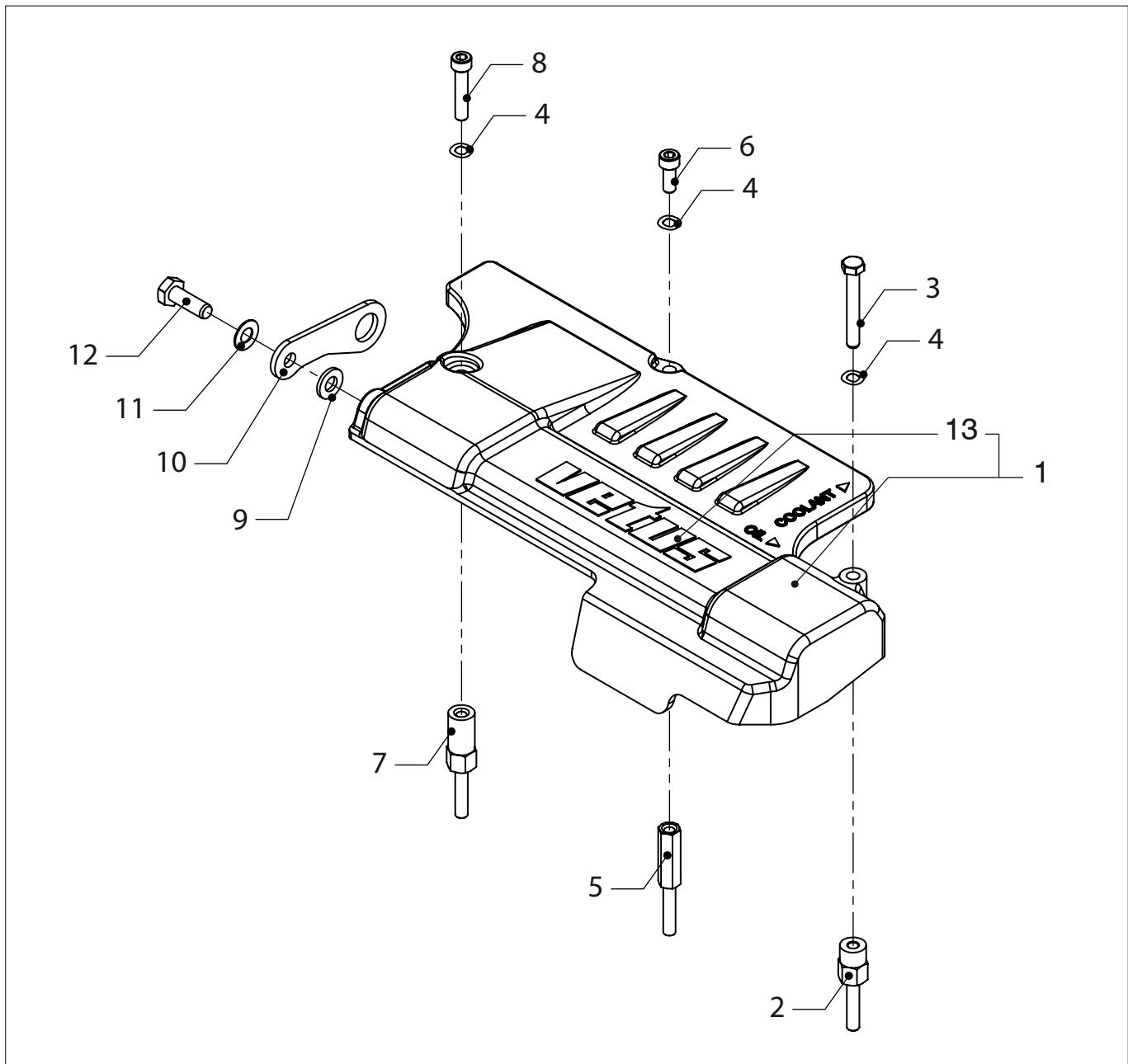


M4.56

Bovenkap interkoeling

Upper cover intercooling

pos.	qty	part	benaming	description
1	1	08-01421	Bovenkap M4.56	Upper cover M4.56
2	1	08-01313	Afstandshouder (20Nm)	Stud (20Nm)
3	1	STM2259	Bout M8x60 (15Nm)	Bolt M8x60 (15Nm)
4	3	STM1019	Gegolfde veerring M8	Wave spring washer M8
5	1	08-01424	Afstandshouder (20Nm)	Stud (20Nm)
6	1	STM3742	Inbusbout M8x20 (15Nm)	Allen srew M8x20 (15Nm)
7	1	08-01423	Asfstandhouder (20Nm)	Stud (Nm)
8	1	STM6539	Inbusbout M8x40 (15Nm)	Allen srew M8x40 (15Nm)
9	1	08-01372	Ring	Washer
10	1	STM7710	Hijsoog	Lifting eye
11	1	STM2022	Gegolfde veerring M10	Wave spring washer M10
12	1	STM4013	Bout M10x1,5x30	Bolt M10x1,5x30
13	1	08-01502	Sticker	Sticker

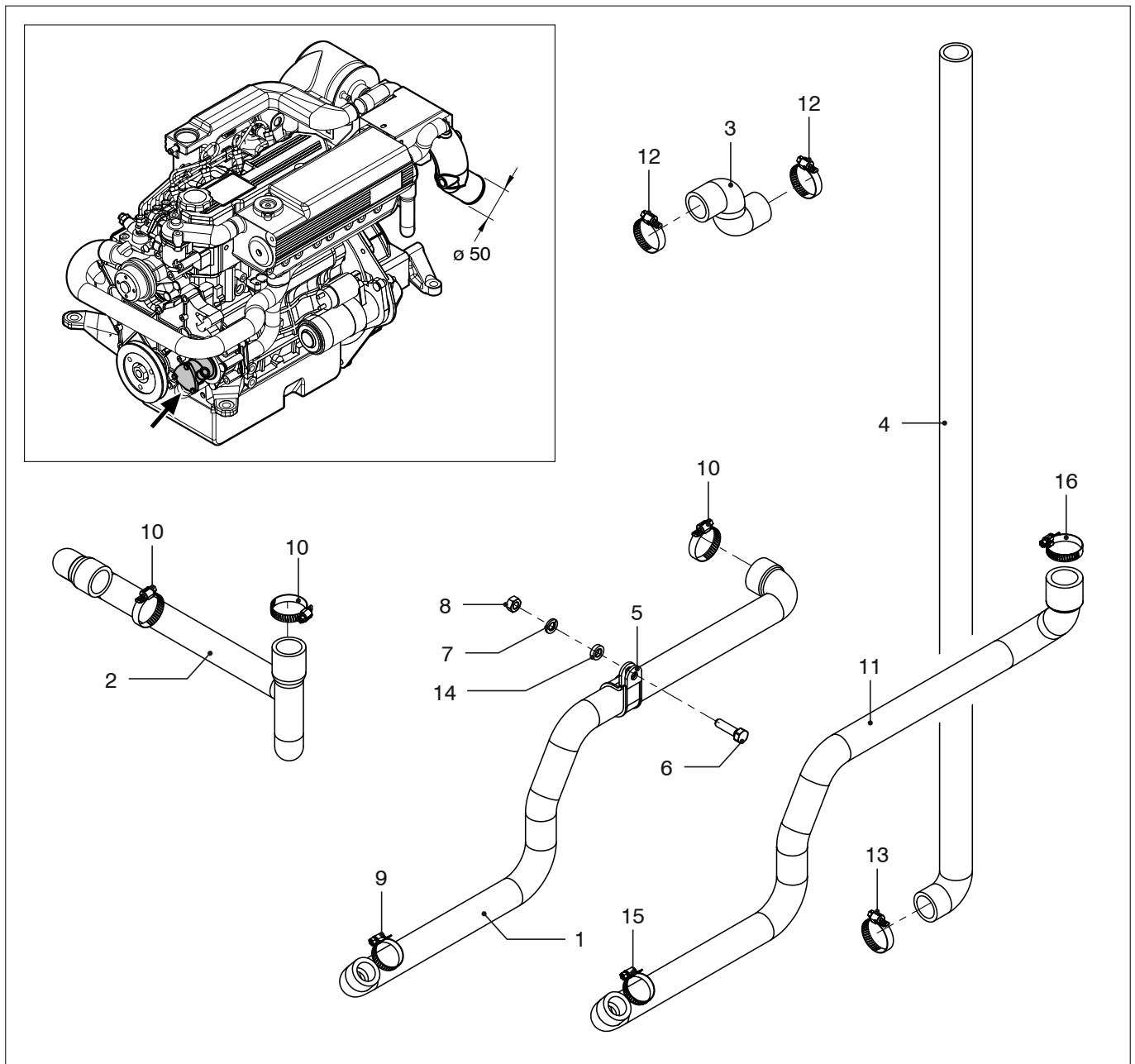


M4.56

Bovenkap kielkoeling

Upper cover keel cooler

pos.	qty	part	benaming	description
1	1	08-01422	Bovenkap M4.56	Upper cover M4.56
2	1	08-01313	Afstandhouder (20Nm)	Stud (20Nm)
3	1	STM2259	Bout M8x60 (15Nm)	Bolt M8x60 (15Nm)
4	3	STM1019	Gegolfde veerring M8	Wave spring washer M8
5	1	08-01424	Afstandhouder (20Nm)	Stud (20Nm)
6	1	STM3742	Inbusbout M8x20 (15Nm)	Allen screw M8x20 (15Nm)
7	1	08-01423	Afstandhouder (20Nm)	Stud (Nm)
8	1	STM6539	Inbusbout M8x40 (15Nm)	Allen screw M8x40 (15Nm)
9	1	08-01372	Ring	Washer
10	1	STM7710	Hijsoog	Lifting eye
11	1	STM2022	Gegolfde veerring M10	Wave spring washer M10
12	1	STM4013	Bout M10x1,5x30	Bolt M10x1.5x30
13	1	08-01502	Sticker	Sticker

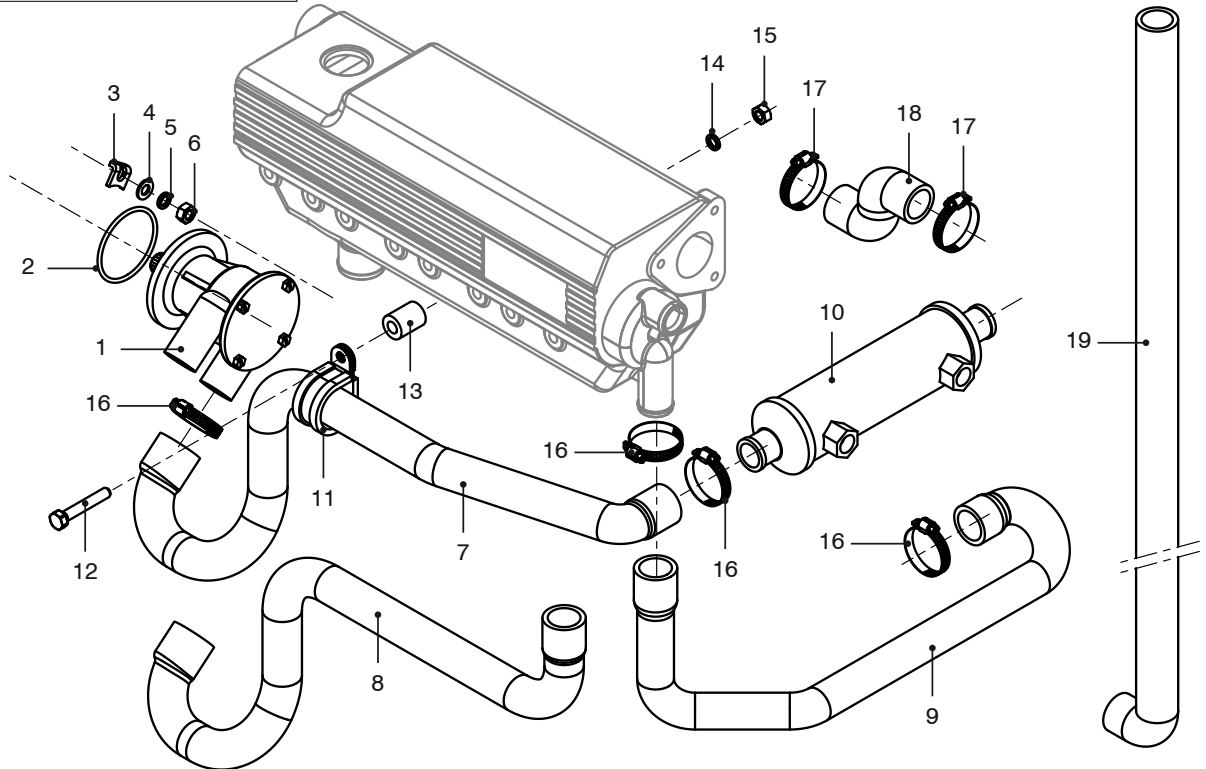
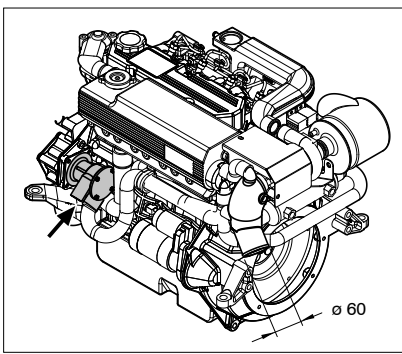


M4.55

**Slangen - koelsysteem, buitenwater, zeewater-
pomp type 20**

**Hoses - cooling system, raw water, sea water
pump type 20**

pos.	qty	part	benaming	description
1	1	STM7562	Slang buitenwater pomp - oliekoeler	Hose raw water pump - oil cooler
2	1	STM7448	Slang oliekoeler-ww	Hose oil cooler-heat ex.
3	1	STM7452	Slang injectiebocht	Hose injection elbow
4	2	STM7488	Slang beluchter (optie)	Hose air vent. (optional)
5	1	STM7564	Klem RSGU1.30/20W1	Clamp RSGU1.30/20W1
6	1	STM7059	Bout M8x30	Bolt M8x30
7	1	STM1019	Veerring M8	Spring washer M8
8	1	STM2005	Moer M8	Nut M8
9	1	STM2012	Slangklem 19-28	Hose clamp 19-28
10	3	STM6116	Slangklem 26-38	Hose clamp 26-38
11	1	STM7561	Slang buitenwaterpomp - warmtewisselaar	Hose sea water pump - heat exchanger
12	2	STM2012	Slangklem 19-28	Hose clamp 19-28
13	2	STM2012	Slangklem 19-28	Hose clamp 19-28
14	1	STM7646	Vulring d=10	Spacer d=10
15	1	STM2012	Slangklem 19-28	Hose clamp 19-28
16	1	STM6116	Slangklem 26-38	Hose clamp 26-38

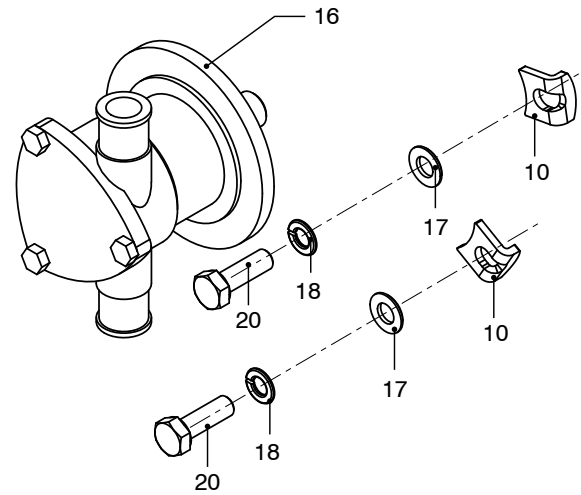
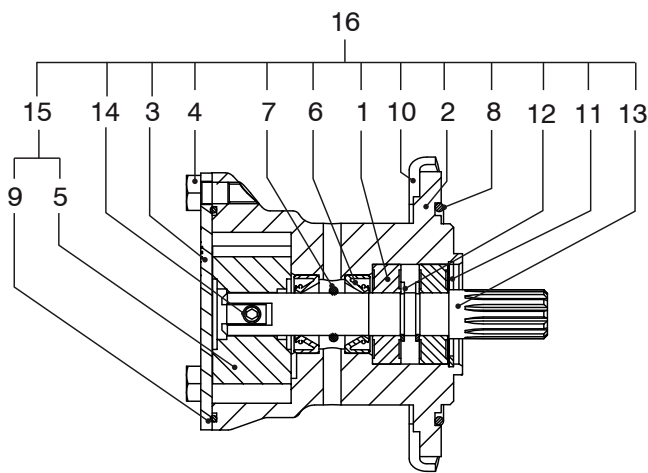
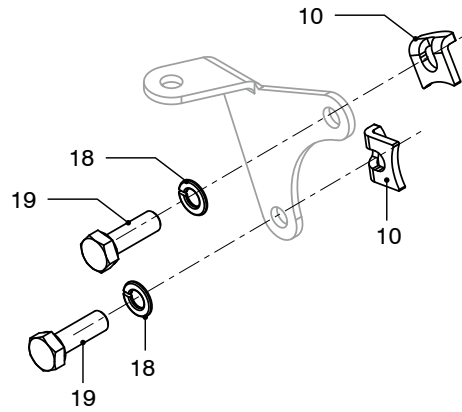
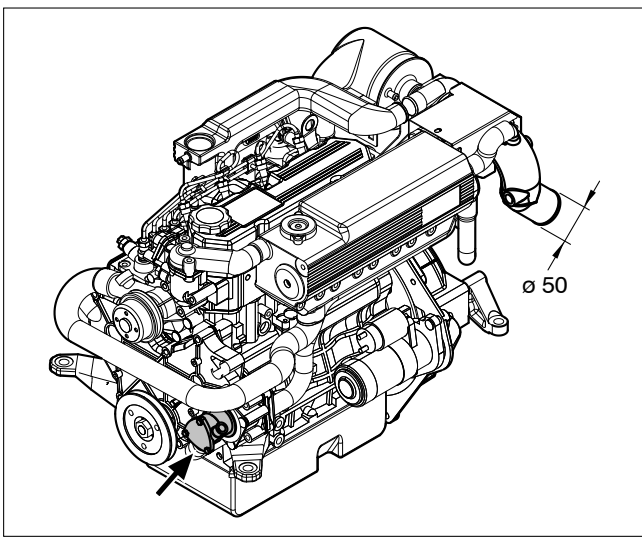


M4.55

Slangen - koelsysteem, buitenwater, zee­waterpomp type 40

Hoses - cooling system, raw water, sea water pump type 40

pos.	qty	part	benaming	description
1	1	STM9893	Zee­waterpomp type40	Seawater pump size 40
2	1	STM6127	O-ring	O-ring
3	4	STM6126	Kikkerplaatje	Clamp plate
4	4	STM1653	Ring M8	Washer M8
5	4	STM1056	Veerring M8	Spring washer M8
6	4	STM2005	Moer M8	Nut M8
7	1	STM9891	Slang buitenwaterpomp <=> oliekoeler	Hose seawater pump <=> oil cooler
8	1	STM9892	Slang buitenwaterpomp <=> ww	Hose seawater pump <=> heat exchanger
9	1	STM7448	Slang oliekoeler <=> ww	Hose oil cooler <=> heat exchanger
10	1	STM5007	Oliekoeler 7"x55-G3/8 25mm	Oil cooler 7"x55-G3/8-25mm
11	1	STM3061	Klem RSGU1.35/20W1	Clamp RSGU1.35/20W1
12	1	STM2261	Bout M8x40	Bolt M8x40
13	1	STM7646	Bus l=10mm	Spacer l=10mm
14	1	STM1019	Gegolfde veerring M8	Wave spring washer M8
15	1	STM2005	Moer M8	Nut M8
16	4	STM3005	Slangklem 35-50	Hose clamp 35-50
17	2	STM2012	Slangklem 19-28	Hose clamp 19-28
18	1	STM7452	Slang injectiebocht	Hose injection elbow
19	2	STM7488	Slang beluchter (optie)	Hose air vent. (option)

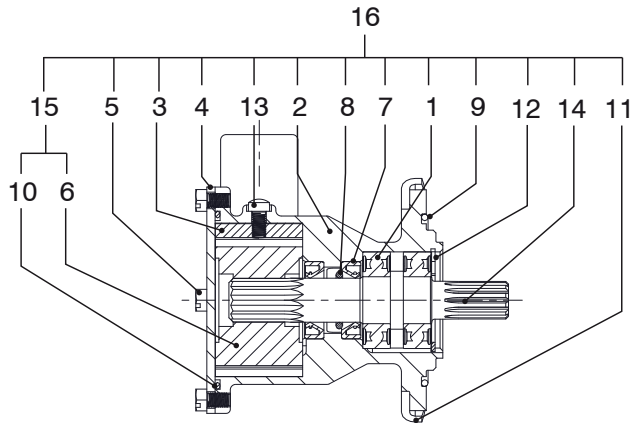
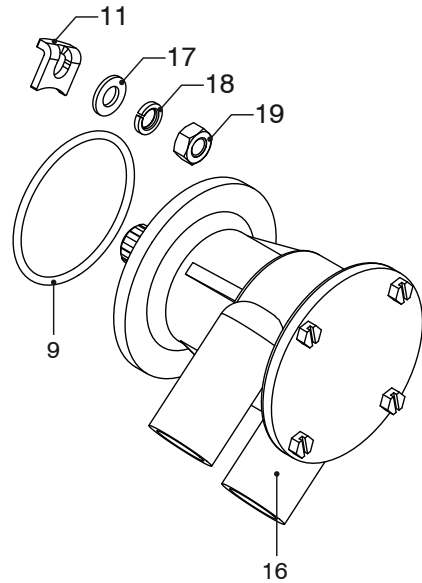
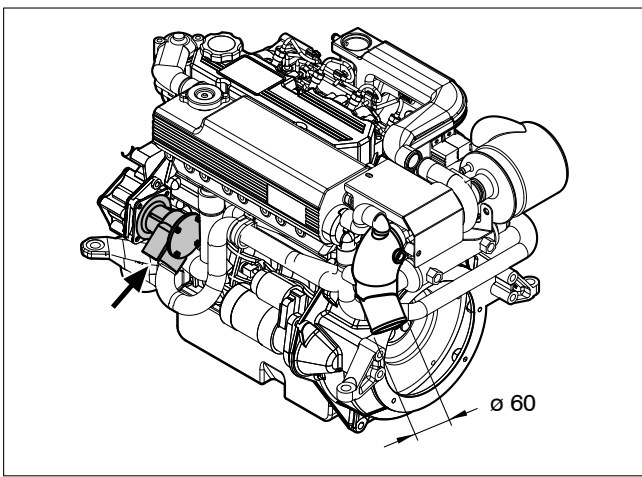


M4.55

Zeewaterpomp, type 20

Seawater pump, type 20

pos.	qty	part	benaming	description
1	2	STM6171	Lager	Ball bearing
2	1	STM7461	Pomphuis (volle kam)	Body (full cam)
3	1	STM7688	Deksel	End cover
4	3	STM7689	Bout	Hex. Head screw
5	1	STM7463	Impeller	Impeller
6	2	STM6169	Keerring	Lipseal
7	1	STM6168	O-ring	O-ring
8	1	STM6127	O-ring	O-ring
9	1	STM7696	O-ring	O-ring
10	4	STM6126	Kikkerplaatje	Clamp
11	1	STM6172	Borg clip	Retaining clip
12	2	STM6170	Borg clip	Retaining clip
13	1	STM6173	As	Shaft
14	1	STM6162	Schroef	Socket set screw
15	1	STM7464	Reparatie set (5+9)	Rep.set no. (5+9)
16	1	STM7460	Pomp compleet 42 l @ 3000 rpm	Pump cpl. 42 l @ 3000 rpm
17	2	STM1653	Ring M8	Washer M8
18	4	STM1056	Veerring M8	Spring washer M8
19	2	STM1610	Bout M8x25	Bolt M8x25
20	2	STM3355	Bout M8x20	Bolt M8x20

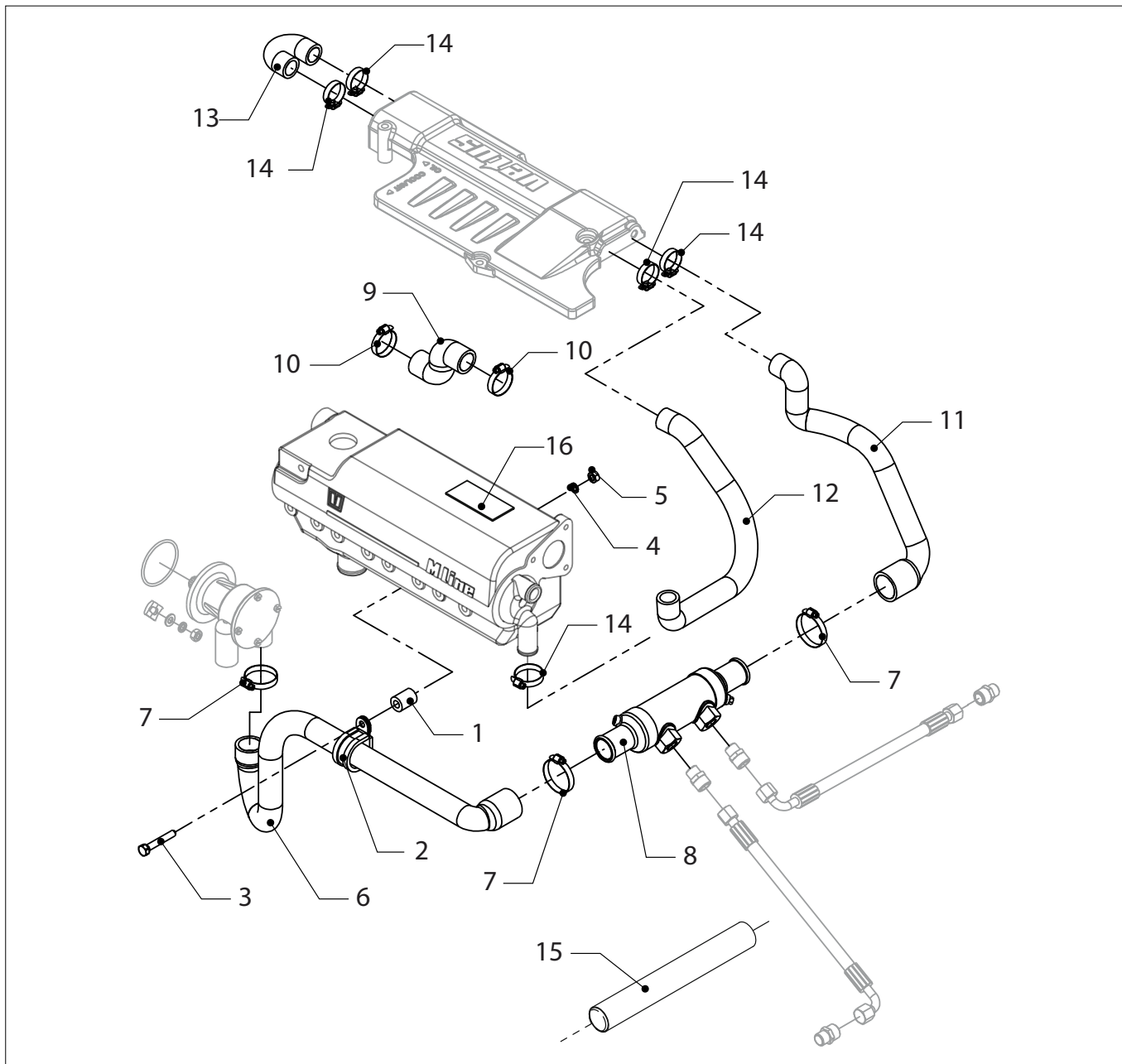


M4.55 M4.56

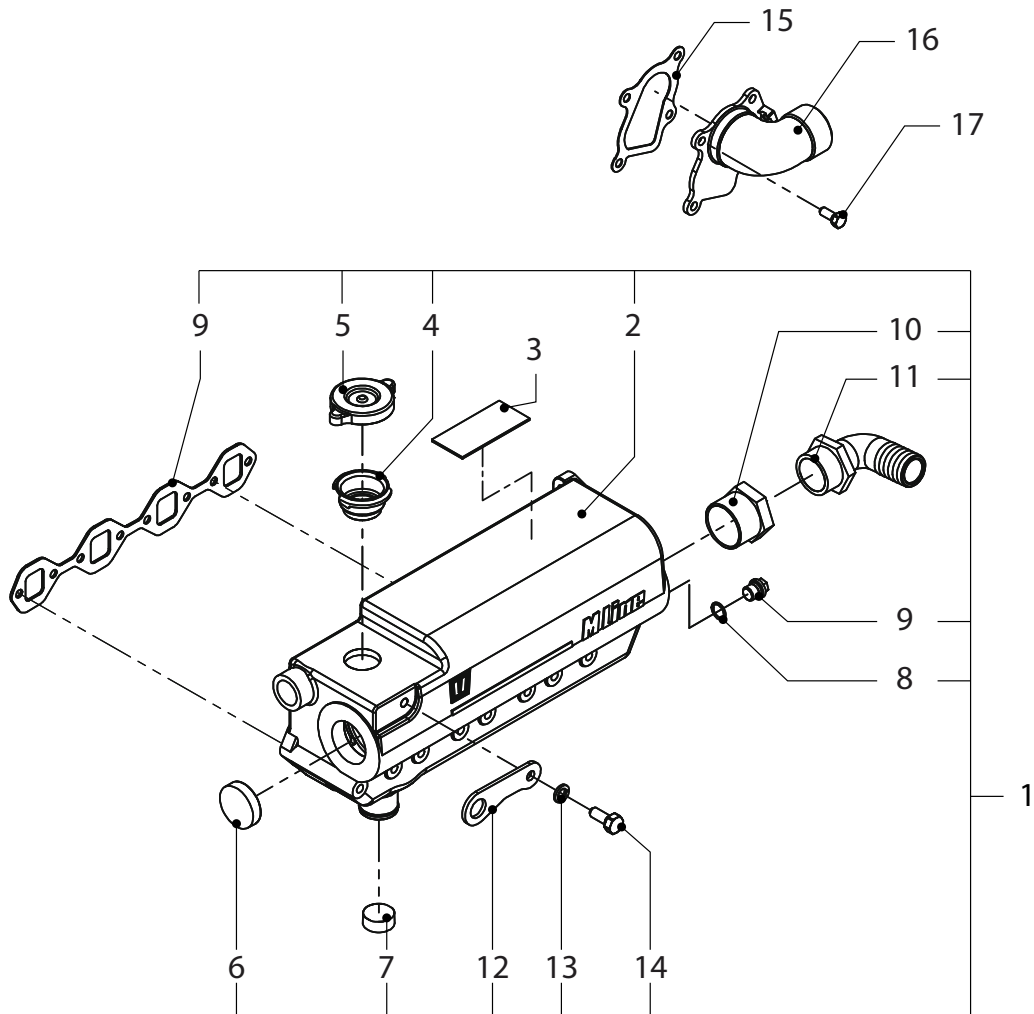
Zeewaterpomp, type 40

Seawater pump, type 40

pos.	qty	part	benaming	description
1	2	08-01014	Lager	Ball bearing
2	1	08-01015	Pomphuis	Body
3	1	08-01016	Kam	Cam
4	1	08-01017	Deksel	End cover
5	4	08-01018	Bout	Hex. Head screw
6	1	08-01019	Impeller 040	Impeller 040
7	2	08-01020	Keerring	Lipseal
8	1	08-01021	O-ring	O-ring
9	1	STM6127	O-ring	O-ring
10	1	08-01022	O-ring	O-ring
11	4	STM6126	Kikkerplaatje	Clamp
12	1	08-01023	Borgring	Retaining ring
13	1	08-01024	Schroef	Screw
14	1	08-01025	As	Shaft
15	1	08-01026	Reparatie set (10+6)	Rep.set no. (10+6)
16	1	STM9893	Pomp compleet	Pump cpl.
17	4	STM1653	Ring M8	Washer M8
18	4	STM1056	Veerring M8	Spring washer M8
19	4	STM2005	Moer M8	Nut M8


M4.56
Slangen koelsysteem buitenwater
Hoes cooling system raw water

pos.	qty	part	benaming	description
1	1	STM7646	Bus l=10	Bush l=10
2	1	STM3061	Klem	Clamp
3	1	STM2261	Bout M8x40	Bolt M8x40
4	1	STM1019	Gegolfde veerring M8	Wave spring washer M8
5	1	STM2005	Moer M8	Nut M8
6	1	08-01432	Slang buitenw.pomp naar olie	Hose clamp seawater pump to oil cooler
7	3	STM3005	Slangklem 35-50	Hose clamp 35-50
8	1	08-01316	Oliekoeler keerkoppeling	Oil cooler gearbox
9	1	STM7452	Slang	Hose
10	2	STM7269	Slangklem 16-27	Hose clamp 16-27
11	1	08-01426	Slang oliekoeler naar top cover	Hose oil cooler to top cover
12	1	08-01427	Slang top cover naar ww-huis	Hose top cover to head ex.housing
13	1	08-01425	Slang bocht	Hose bend
14	5	STM2012	Slangklem 19-28	Hose clamp
15	1	08-01453	Pijp 32 mm l = 240	Pipe 32 mm l = 240
16	1	08-01429	Motortypeplaat M4.56	Engine type plate M4.56

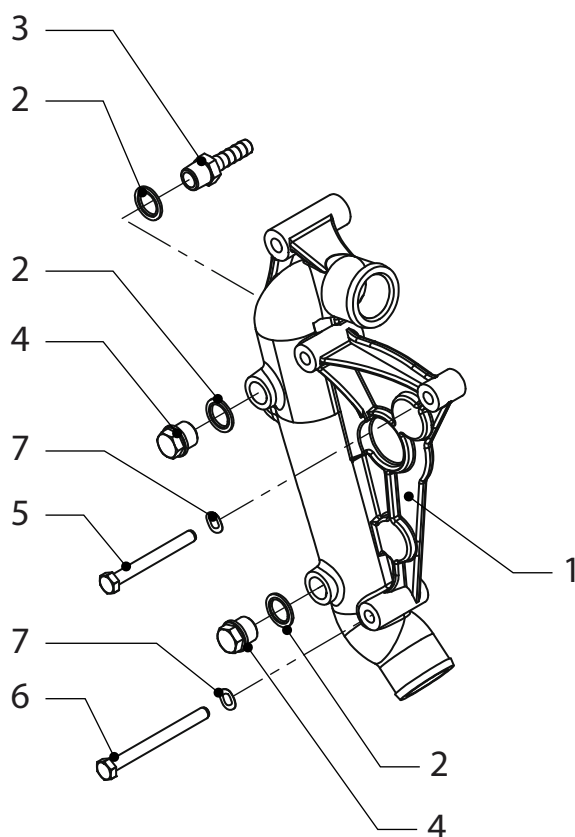


M4.56

Kielkoelspruitstuk

Keel cooler manifold

pos.	qty	part	benaming	description
1	1	STM9881	Kielkoelspruitstuk cpl.	Keel cooler manifold cpl.
2	1	STM7553	Kielkoelspruitstuk	Keel cooler manifold
3	1	08-01429	Motortypeplaatje M4.56	Engine type plate M4.56
4	1	STM3750	Vulnek	Filler neck
5	1	STM9507	Vuldop 'do not open'	Filler cap 'do not open'
6	1	STM4043	Plug G1 1/2	Plug G1 1/2
7	1	STM7679	Plug M30x1,5	Plug M30x1,5
8	1	STM1062	Afdichtring	Seal washer
9	1	STM1059	Plug M14x1,5	Plug M14x1,5
10	1	STM9873	Nippel G1 1/2 => G1 1/4	Nippel G1 1/2 => G1 1/4
11	1	STM9447	Slangpilaar G1 1/4 - 32mm 90°	Hose pillar eye G1 1/4 - 32mm 90°
12	1	STM7710	Hijsoog	Lifting eye
13	1	STM4014	Veerring	Spring washer
14	1	STM3705	Bout M10x1,25x25	Bolt M10x1,25x25
15	1	STM7476	Pakking	Gasket
16	1	STM7489	Uitlaatflens G1 1/2 90°	Exhaust flange G1 1/2 90°
17	4	STM7496	Bout M8x20	Bolt M8x20
18	1	STM7825	Pakking	Gasket

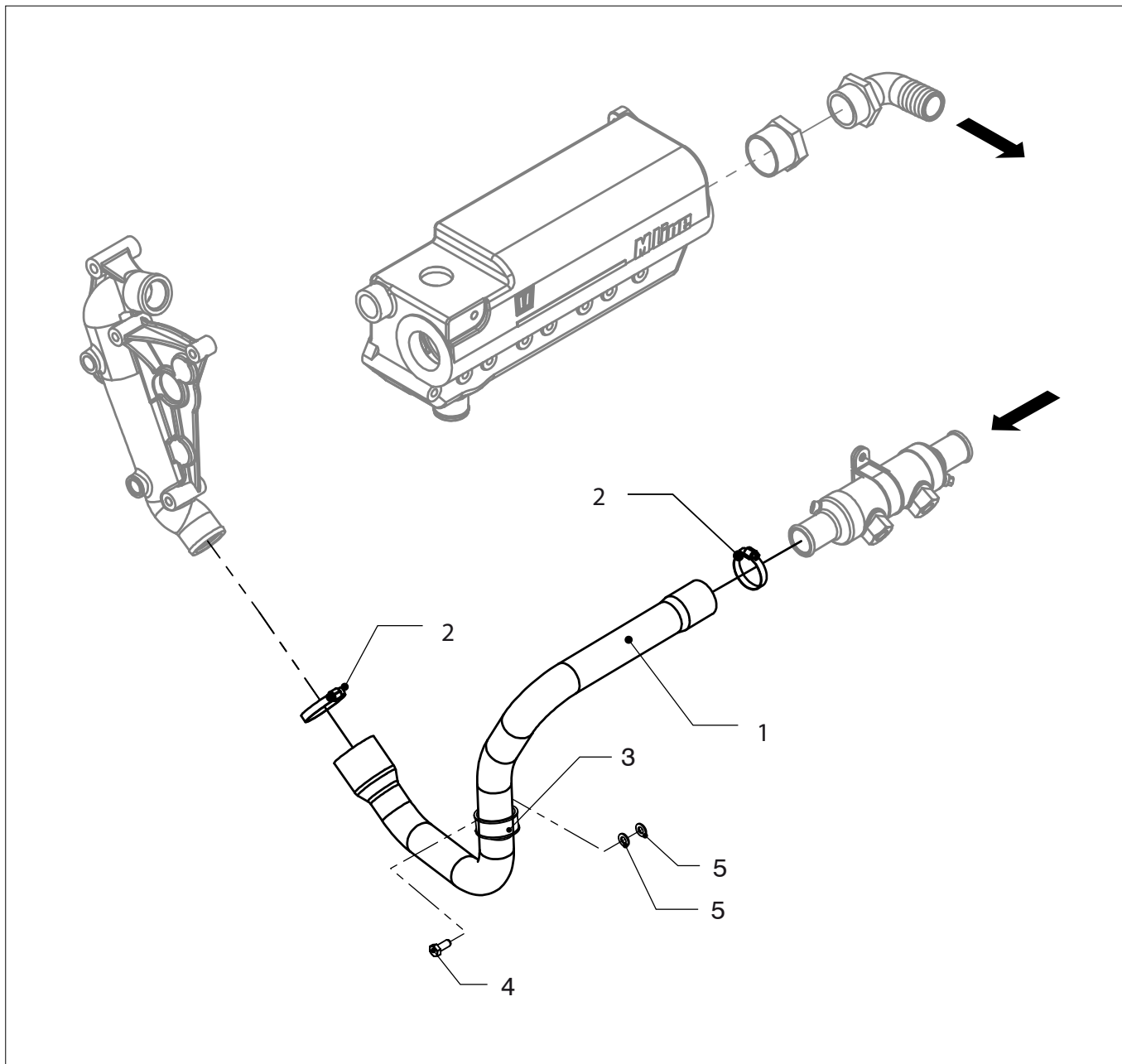


M4.56

Koelwaterpijp / dynamosteun, kielkoeling

Coolant pipe / alternator bracket, keel cooling

pos.	qty	part	benaming	description
1	1	STM9851	Koelwaterpijp / dynamosteun	Coolant pipe / alternator bracket
2	3	08-01182	Afdichtring	Seal washer
3	1	STM9780	Slangpilaar G3/8-10	Hose pillar G3/8-10
4	3	STM7285	Plug G3/8	Plug G3/8
5	1	STM9682	Bout M8x75	Bolt M8x75
6	2	STM8126	Bout M8x90	Bolt M8x90
7	3	STM1019	Gegolfde veerring M8	Wave spring washer M8

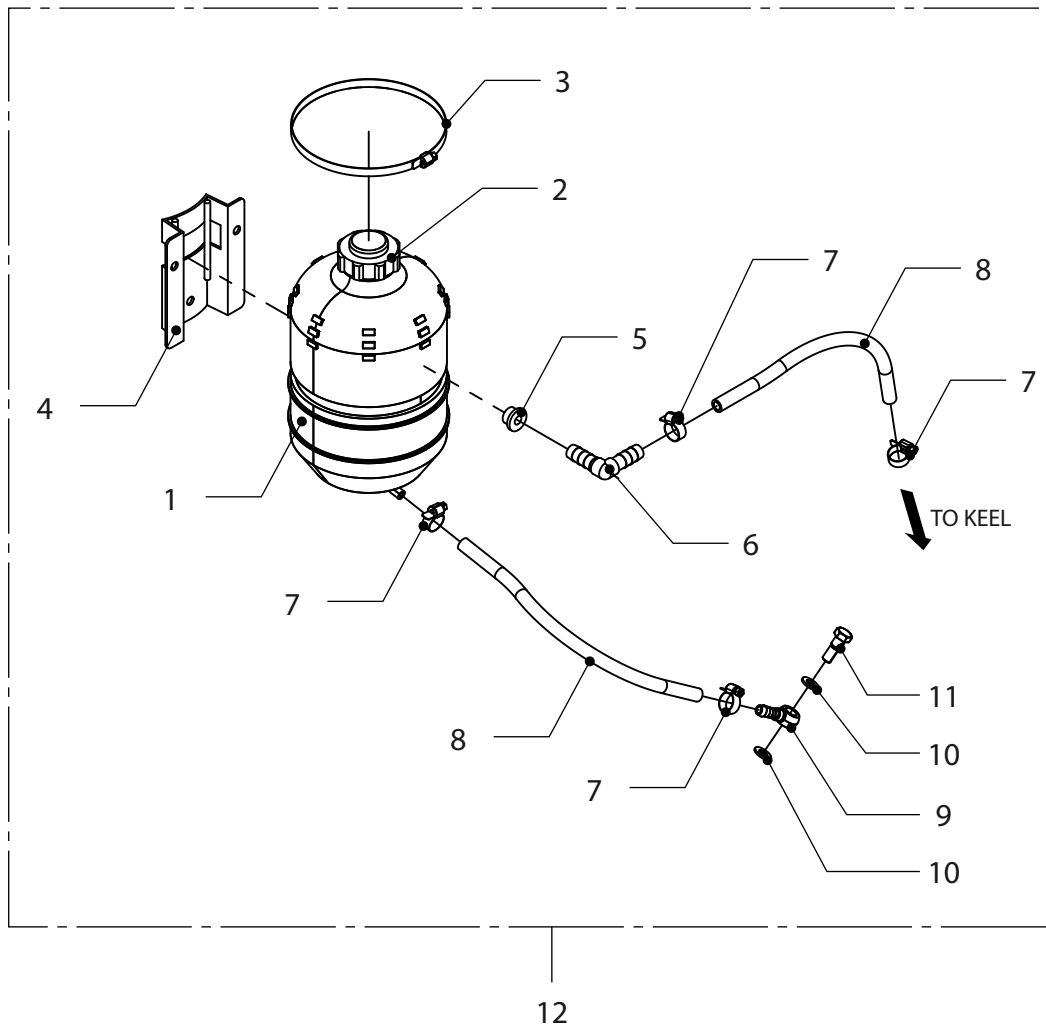


M4.56

Aansluitingen kielkoeler met oliekoeler (hydraulische keerkoppeling)

Connections keel cooler with oil cooler (hydraulic gearbox)

pos.	qty	part	benaming	description
1	1	08-01321	Slang van oliekoeler naar dynamosteun	Hose from oil cooler to alternator bracket pipe
2	2	STM3005	Slangklem 35-50	Hose clamp 35-50
3	1	STM3061	Klem	Clamp
4	1	STM3355	Bout M8x20	Bolt M8x20
5	2	STM1653	Ring	Washer

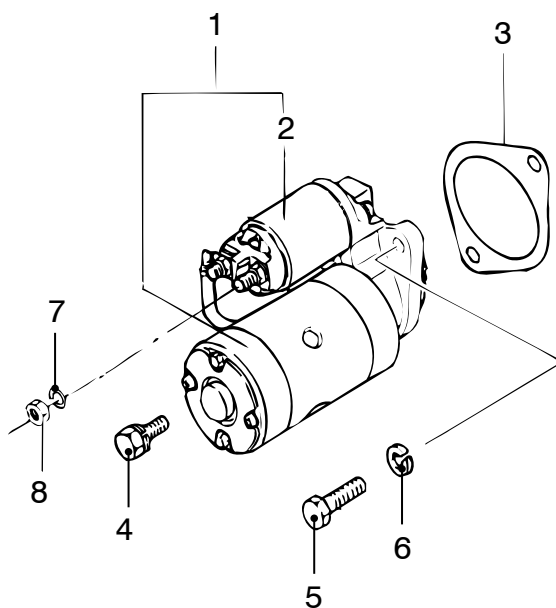


M4.56

Expansietank voor kielkoelmotoren

Headertank for keelcooled engines

pos.	qty	part	benaming	description
1	1	STM9513	Expansietank	Header tank
2	1	STM9507	Drukdop	Pressure cap
3	1	STM9503	Slangklem 120-140	Hose clamp 120-140
4	1	STM9502	Bevestigingsbeugel	Support
5	1	STM9511	Tule	Grommet
6	1	STM9512	Slangpilaar	Hose pillar
7	4	STM9505	Slangklem mini 14	Hose clamp mini 14
8	2	STM9504	Slang l=1,5mtr	Hose l=1,5mtr
9	1	STM6198	Banjo-oog	Banjo eye
10	2	STM2018	Afdichtring	Seal washer
11	1	STM7586	Banjo-bout	Banjo bolt
12	1	STM9514	Expansietank cpl.	Header tank cpl.

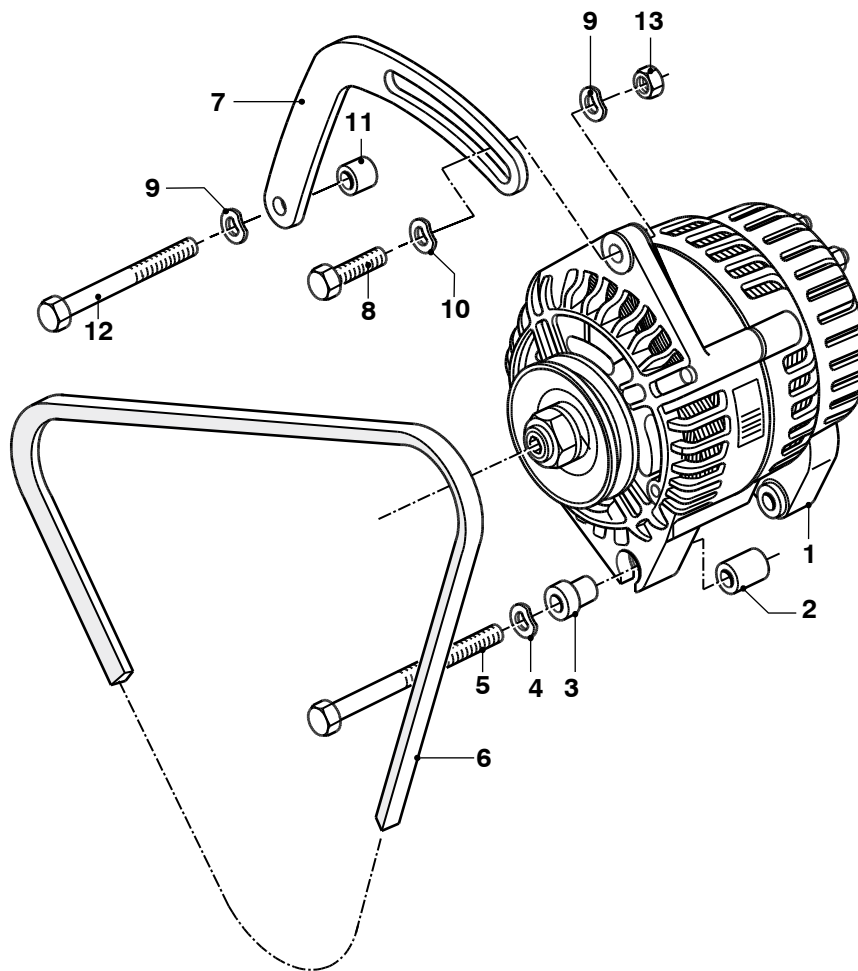


M4.55 M4.56

Startmotor

Starter motor

pos.	qty	part	benaming	description
1	1	STM9973	Startmotor	Starter motor
2	1	STM7967	Relais	Relay
3	1	STM7936	Pakking	Gasket
4	1	STM7933	Bout	Bolt
5	1	STM7934	Bout	Bolt
6	1	STM7935	Ring	Washer
7	1	STM1019	Gegolfde veerring M8	Wave spring washer M8
8	1	STM7042	Messing moer M8	Brass nut M8

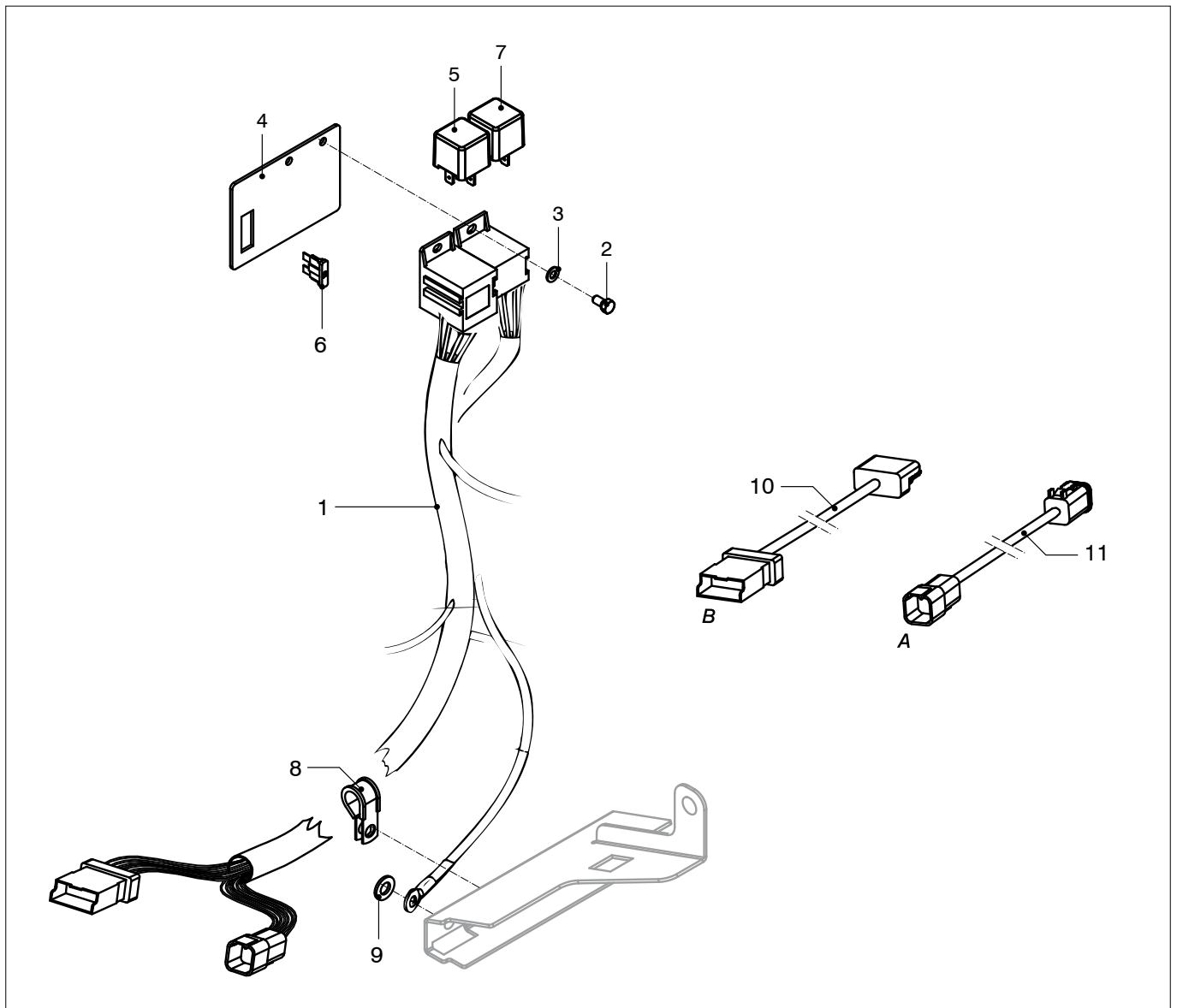


M4.55 M4.56

Dynamo

Alternator

pos.	qty	part	benaming	description
1	1	STM9292	Dynamo 12V-110A 1polig	Alternator 12V-110A single pole
2	1	STM7640	Bus l=30	Bushing l=30
3	1	STM7641	Kraagbus	Collar bushing
4	1	STM2022	Gegolfde veerring M10	Wave spring washer M10
5	1	STM7642	Bout M10x120	Bolt M10x120
6	1	STM7643	V-snaar AVX 10 x 988 la (spz)	V-belt AVX 10 x 988 la
7	1	STM7627	Spansteun	Tensioner bracket
8	1	STM1610	Bout M8x25	Bolt M8x25
9	2	STM1056	Veerring M8	Spring washer M8
10	1	STM3749	Ring M8	Washer M8
11	1	STM7646	Bus l=10	Bushing l= 10
12	1	STM9682	Bout M8x75	Bolt M8x75
13	1	STM2005	Moer M8	Nut M8

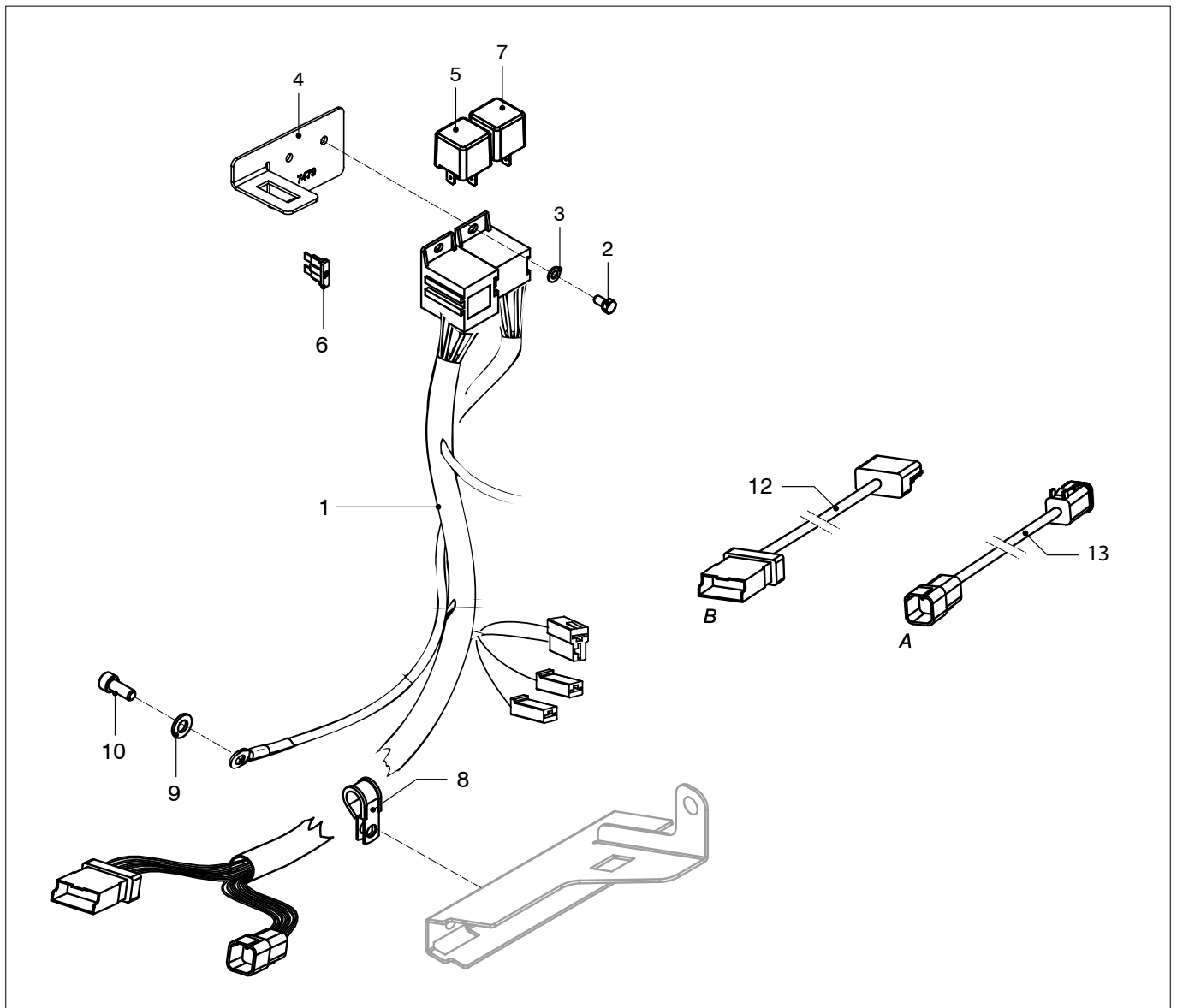


M4.55

Motorbedrading en tussenkabels

Engine wiring and intermediate cables

pos.	qty	part	benaming	description
1	1	STM7649	Motorbedrading	Engine wiring loom
	1	STM9862	Motorbedrading (met aansluiting voor 2e dynamo)	Engine wiring loom (with connection for 2nd alternator)
2	2	STM9063	Bout M5x10	Bolt M5
3	2	STM7047	Ring M5	Washer M5
4	1	STM7479	Relaishouder	Relay bracket
5	1	STM9043	Relais 12V-70A	Relay 12V-70A
6	1	STM4614	Steekzekering ATO 10A	ATO fuse 10A
7	1	STM9050	Relais 12V-30A	Relay 12V-30A
8	1	STM3066	Kabelklem	Cable clamp
9	1	STM1653	Ring	Washer
10	1	STM6941	Tussenkabel A 2 m grijs 6 polig	Intermediate cable A 2 gray 6 pole
		STM6942	Tussenkabel A 4 m grijs 6 polig	Intermediate cable A 4 gray 6 pole
		STM6943	Tussenkabel A 6 m grijs 6 polig	Intermediate cable A 6 gray 6 pole
		STM6944	Tussenkabel A 12 m grijs 6 polig	Intermediate cable A 12 gray 6 pole
11	1	STM6945	Tussenkabel B 2 m grijs 6 polig	Intermediate cable A 2 m gray 6 pole
		STM6946	Tussenkabel B 4m grijs 6 polig	Intermediate cable B 4 m gray 6 pole
		STM6947	Tussenkabel B 6m grijs 6 polig	Intermediate cable B 6 m gray 6 pole
		STM6948	Tussenkabel B 12m grijs 6 polig	Intermediate cable B 12 m gray 6 pole

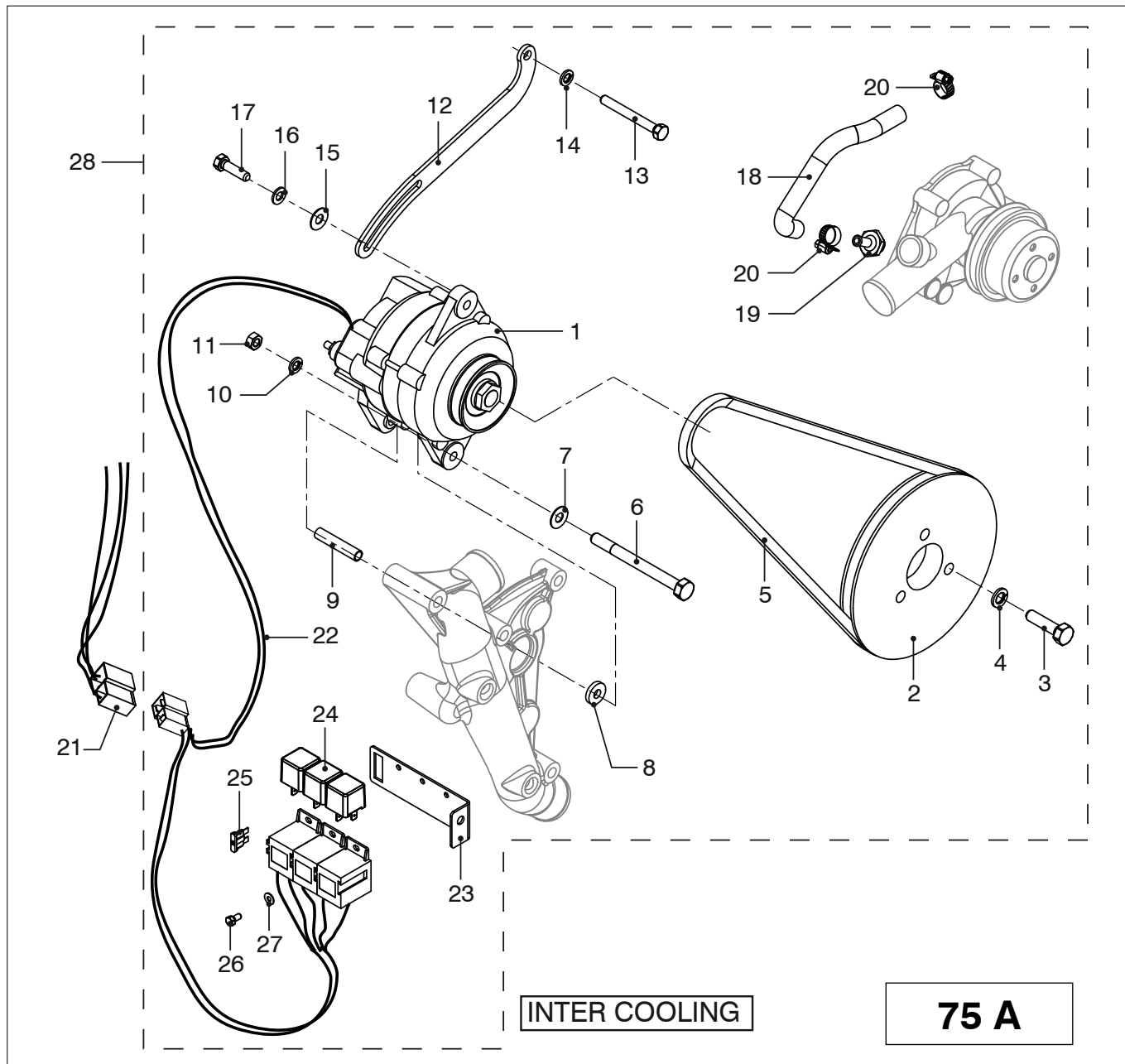


M4.56

Motorbedrading en tussenkabels

Engine wiring and intermediate cables

pos.	qty	part	benaming	description
1	1	08-01333	Motorbedrading	Engine wiring loom
2	2	STM9063	Bout M5x10	Bolt M5
3	2	STM7047	Ring M5	Washer M5
4	1	STM7479	Relaishouder	Relay bracket
5	1	STM9043	Relais 12V-70A	Relay 12V-70A
6	1	08-01420	Steekzekering ATOF 20A	ATOF fuse 20A
7	1	STM9050	Relais 12V-30A	Relay 12V-30A
8	1	STM4593	Kabelklem	Cable clamp
9	1	STM1653	Ring	Washer
10	1	STM7053	Bout M12 x 1.25 x 30	Bolt M12 x 1.25 x 30
11	1	08-01484	Ty-rap G52	Ty-rap G52
12	1	STM6941	Tussenkabel A 2 m grijs 6 polig	Intermediate cable A 2 gray 6 pole
		STM6942	Tussenkabel A 4 m grijs 6 polig	Intermediate cable A 4 gray 6 pole
		STM6943	Tussenkabel A 6 m grijs 6 polig	Intermediate cable A 6 gray 6 pole
		STM6944	Tussenkabel A 12 m grijs 6 polig	Intermediate cable A 12 gray 6 pole
13	1	STM6945	Tussenkabel B 2 m grijs 6 polig	Intermediate cable A 2 m gray 6 pole
		STM6946	Tussenkabel B 4m grijs 6 polig	Intermediate cable B 4 m gray 6 pole
		STM6947	Tussenkabel B 6m grijs 6 polig	Intermediate cable B 6 m gray 6 pole
		STM6948	Tussenkabel B 12m grijs 6 polig	Intermediate cable B 12 m gray 6 pole

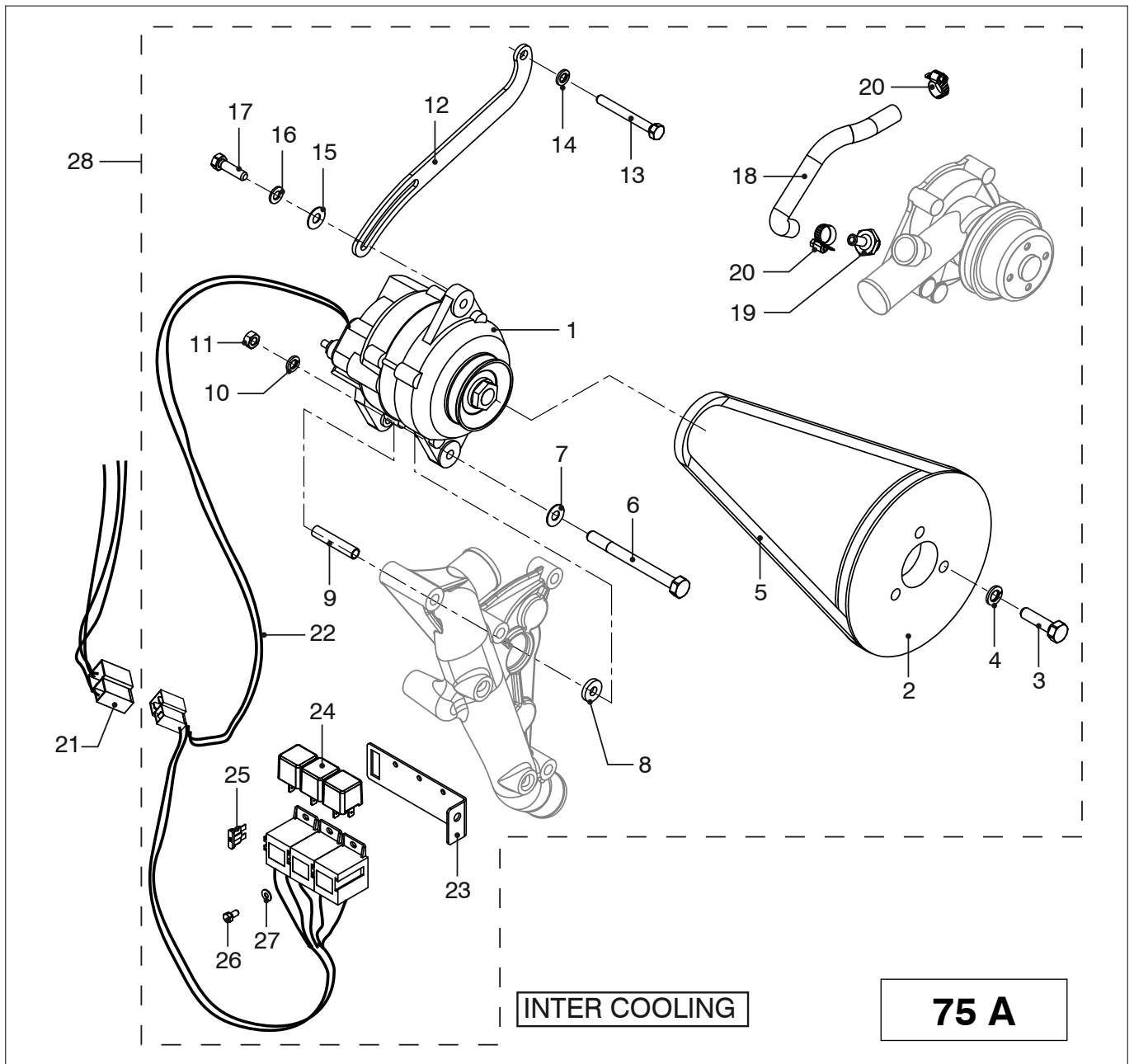


M4.55

Tweede dynamo 12 V - 75 A, 1p., Interkoeling

Extension alternator 12 V - 75 A, 1p., Inter cooling

pos.	qty	part	benaming	description
1	1	STM7437	Dynamo 12V-75A 1p.	Alternator 12v-75A 1p.
2	1	STM7625	V-snaar schijf dw=176	Pulley dw=176
3	3	STM3688	Bout M10x1,25x40	Bolt M10x1,25x40
4	3	STM4014	Veerring M10	Spring washer M10
5	1	STM9857	V-snaar AVX10x1088la (spz)	V-belt AVX10x1088la (spz)
6	1	STM6121	Bout M8x110	M10x110
7	1	STM1653	Sluitring M8	Ring M8
8	1	CT30059	Bus 21x8,5 d=4	Bush 21x8,5 d=4
9	1	STM9854	Bus	Bush
10	1	STM1019	Veerring M8	Spring washer M8
11	1	STM2005	Moer M8	Nut M8
12	1	STM9856	Spansteun	Tensioner Bracket
13	1	STM6562	Bout M8x70	Bolt M8x70
14	1	STM1056	Veerring M8	Spring washer M8
15	1	STM4619	Ring	Washer
16	1	STM1019	Gegolfde veerring M8	Wave spring washer M8

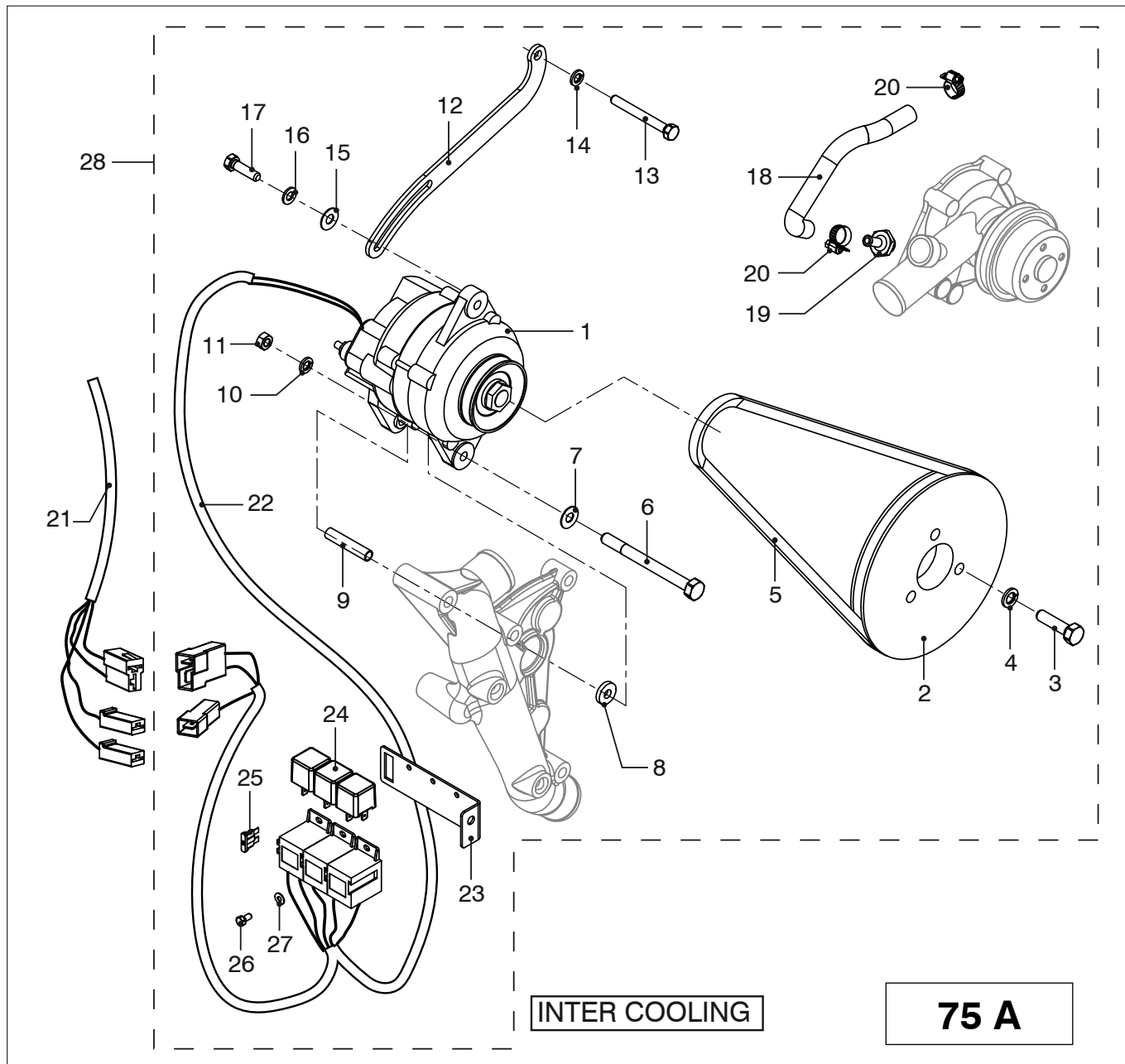


M4.55

Tweede dynamo 12 V - 75 A, 1p., Interkoeling

Extension alternator 12 V - 75 A, 1p., Inter cooling

pos.	qty	part	benaming	description
17	1	STM7059	Bout M8x30	Bolt M8x30
18	1	STM9440	Slang	Hose
19	1	STM9441	Slangpilaar	Hose pilar
20	2	STM3056	Slangklem	Hose clamp
21	1	STM9862	Motorbedrading	Engine wiring
22	1	STM9863	Bedrading extra dynamo 75 A	Wiring second alternator 75 A
23	1	STM9861	Relaissteun	Relay support
24	3	STM9050	Relais	Relais
25	1	STM4614	ATO Zekering 10A	ATO Fuse 10A
26	3	STM9063	Bout M5x10	Bolt M5x10
27	3	STM7294	Gegolfde veerring M5	Wave spring washer M5
28	1	STM9806	Set 2e dynamo 75 A	Set 2nd alternator 75 A

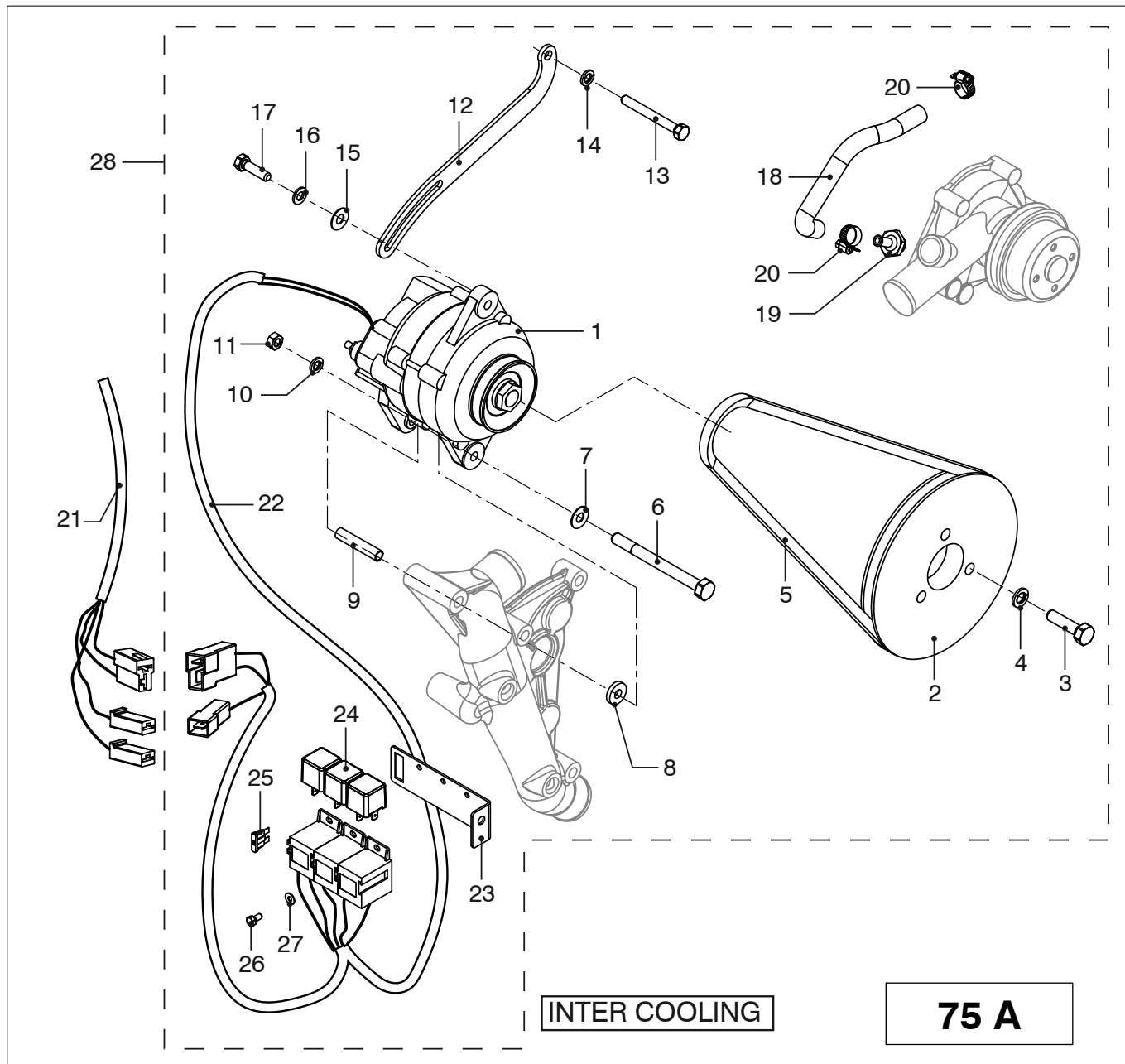


M4.56

Tweede dynamo 12 V - 75 A, 1p., Interkoeling

Extension alternator 12 V - 75 A, 1p., Inter cooling

pos.	qty	part	benaming	description
1	1	STM7437	Dynamo 12V-75A 1p.	Alternator 12v-75A 1p.
2	1	STM7625	V-snaar schijf dw=176	Pulley dw=176
3	3	STM3688	Bout M10x1,25x40	Bolt M10x1,25x40
4	3	STM4014	Veerring M10	Spring washer M10
5	1	STM9857	V-snaar AVX10x1088la (spz)	V-belt AVX10x1088la (spz)
6	1	STM6121	Bout M8x110	M10x110
7	1	STM1653	Sluitring M8	Ring M8
8	1	CT30059	Bus 21x8,5 d=4	Bush 21x8,5 d=4
9	1	STM9854	Bus	Bush
10	1	STM1019	Veerring M8	Spring washer M8
11	1	STM2005	Moer M8	Nut M8
12	1	STM9856	Spansteun	Tensioner Bracket
13	1	STM6562	Bout M8x70	Bolt M8x70
14	1	STM1056	Veerring M8	Spring washer M8
15	1	STM3749	Ring	Washer
16	1	STM1019	Gegolfde veerring M8	Wave spring washer M8

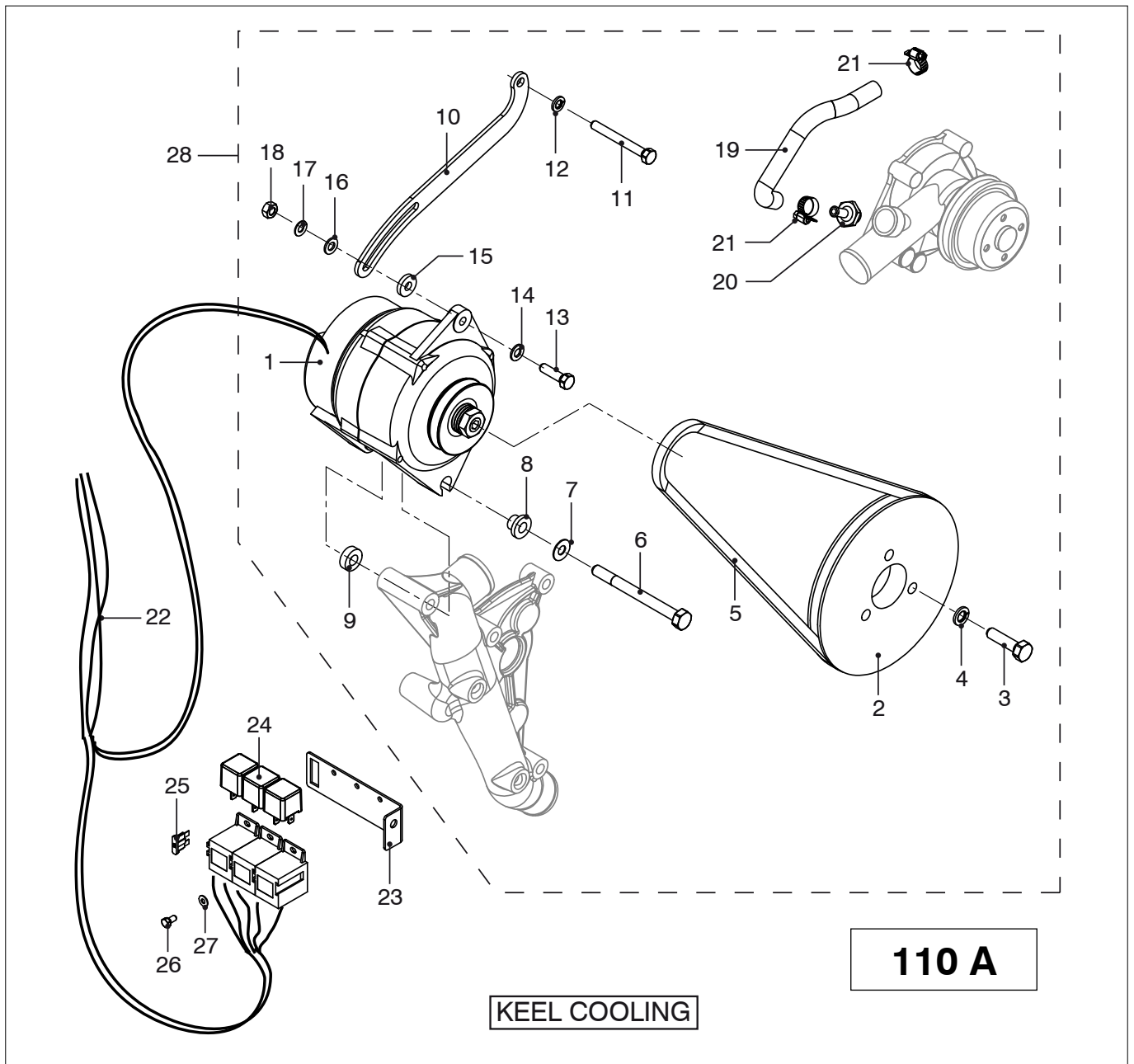


M4.56

Tweede dynamo 12 V - 75 A, 1p., Interkoeling

Extension alternator 12 V - 75 A, 1p., Inter cooling

pos.	qty	part	benaming	description
17	1	STM3355	Bout M8x20	Bolt M8x20
18	1	STM9440	Slang	Hose
19	1	STM9441	Slangpilaar	Hose pilar
20	2	STM9505	Slangklem	Hose clamp
21	1	08-01333	Motorbedrading	Engine wiring
22	1	08-01335	Bedrading extra dynamo 75 A & 110	Wiring second alternator 75 A & 110 A
23	1	STM9861	Relaissteun	Relay support
24	3	STM9050	Relais	Relais
25	1	08-01420	ATOF Zekering 20A	ATOF Fuse 20A
26	3	STM9063	Bout M5x10	Bolt M5x10
27	3	STM7294	Gegolfde veerring M5	Wave spring washer M5
28	1	STM9806	Set 2e dynamo 75 A	Set 2nd alternator 75 A

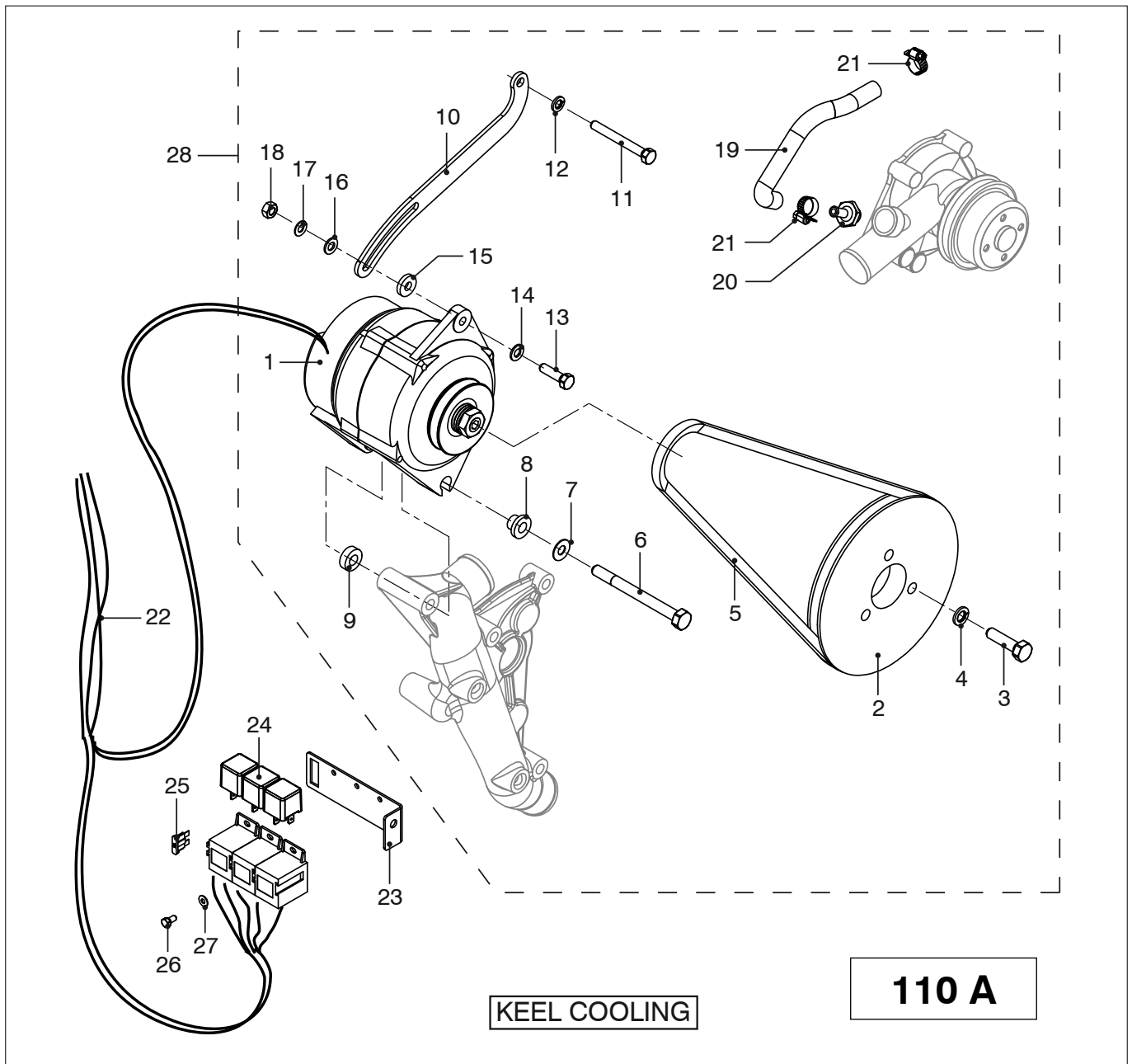


M4.55

Tweede dynamo 12 V - 110 A, 1p., kielkoeling

Extension alternator 12 V - 110 A, 1p., keelcooling

pos.	qty	part	benaming	description
1	1	STM9292	Dynamo 12V-110A 1p.	Alternator 12v-110A 1p.
2	1	STM7625	V-snaar schijf dw=176	Pulley dw=176
3	3	STM3688	Bout M10x1,25x40	Bolt M10x1,25x40
4	3	STM4014	Veerring M10	Spring washer M10
5	1	STM9858	V-snaar AVX10x1113la (spz)	V-belt AVX10x1113la (spz)
6	1	STM7642	Bout M10x120	M10x120
7	1	STM2022	Gegolfde veerring M10	Wave spring washer M10
8	1	STM7641	Kraagbus	Collar bushing
9	1	STM9855	Bus 22x10,5 d=7	Bush 22x10,5 d=7
10	1	STM9856	Spansteun	Tensioner Bracket
11	1	STM6562	Bout M8x70	Bolt M8x70
12	1	STM1056	Veerring M8	Spring washer M8
13	1	STM7059	Bout M8x30	Bolt M8x30
14	1	STM1653	Sluitring M8	Ring M8
15	1	CT30059	Bus d=4	Spacer d=4
16	1	STM4619	Ring	Washer

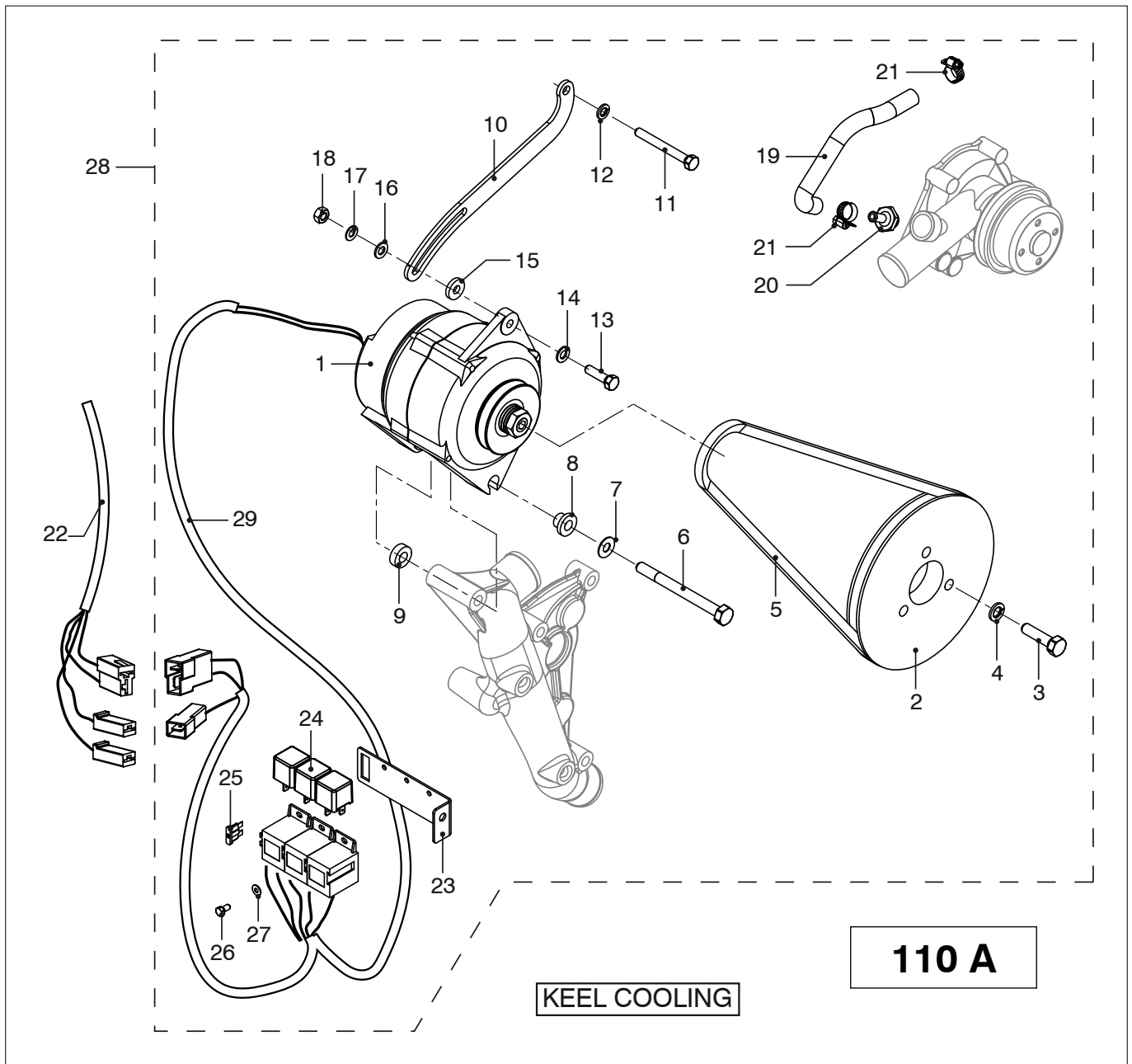


M4.55

Tweede dynamo 12 V - 110 A, 1p., kielkoeling

Extension alternator 12 V - 110 A, 1p., keelcooling

pos.	qty	part	benaming	description
17	1	STM1019	Gegolfde veerring M8	Wave spring washer M8
18	1	STM2005	Moer M8	Nut M8
19	1	STM9440	Slang	Hose
20	1	STM9441	Slangpilaar	Hose pilar
21	2	STM3056	Slangklem	Hose clamp
22	1	STM9864	Bedrading	Wiring
23	1	STM9861	Relaissteun	Relay support
24	3	STM9050	Relais	Relais
25	1	STM4614	ATO Zekering 10A	ATO Fuse 10A
26	3	STM9063	Bout M5x10	Bolt M5x10
27	3	STM7294	Gegolfde veerring M5	Wave spring washer M5
28	1	STM9805	Set 2 ^e dynamo 110 A	Set 2 nd alternator 110 A

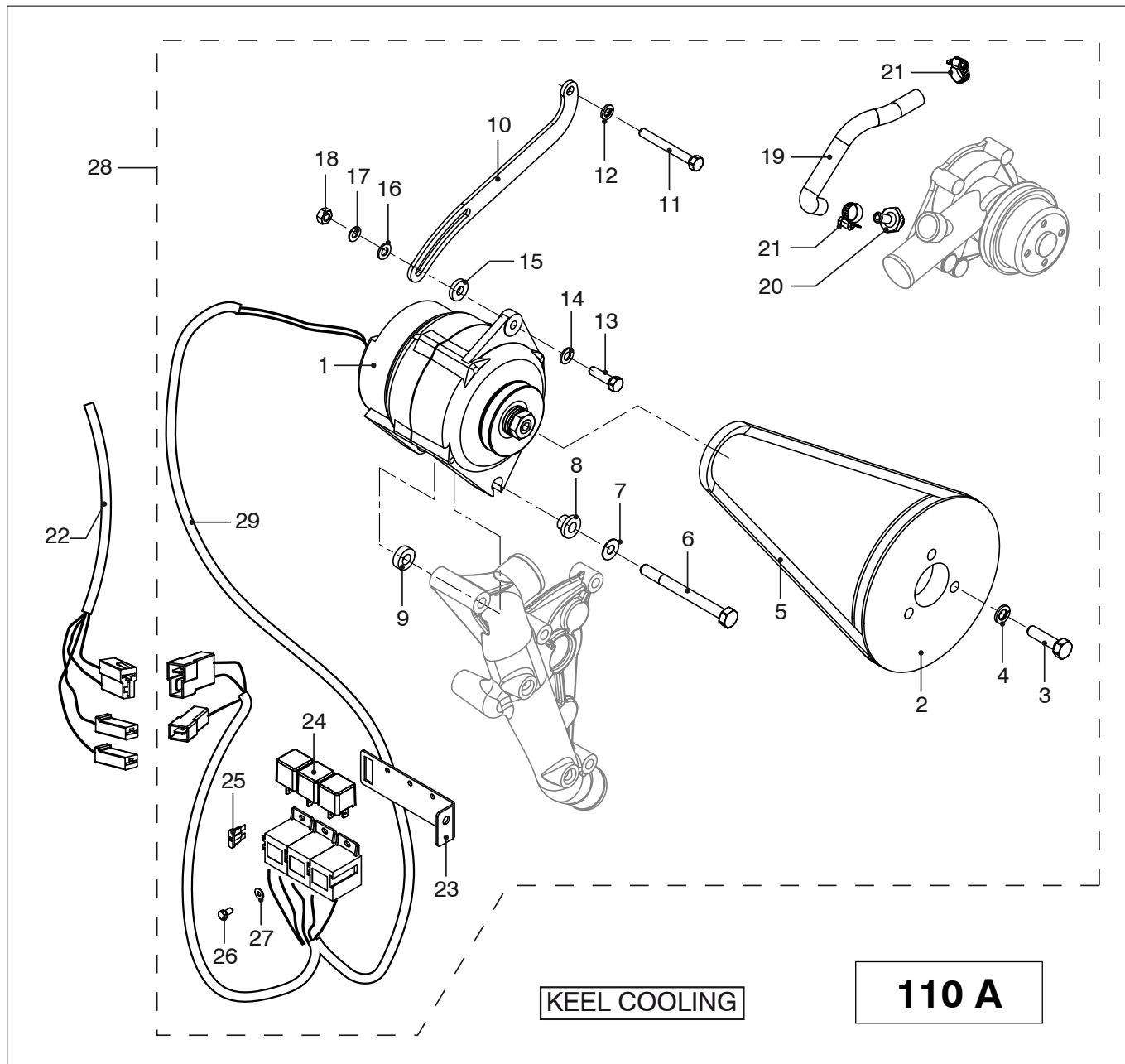


M4.56

Tweede dynamo 12 V - 110 A, 1p., kielkoeling

Extension alternator 12 V - 110 A, 1p., keelcooling

pos.	qty	part	benaming	description
1	1	STM9292	Dynamo 12V-110A 1p.	Alternator 12v-110A 1p.
2	1	STM7625	V-snaar schijf dw=176	Pulley dw=176
3	3	STM3688	Bout M10x1,25x40	Bolt M10x1,25x40
4	3	STM4014	Veerring M10	Spring washer M10
5	1	STM9858	V-snaar AVX10x1113la (spz)	V-belt AVX10x1113la (spz)
6	1	STM7642	Bout M10x120	M10x120
7	1	STM2022	Gegolfde veerring M10	Wave spring washer M10
8	1	STM7641	Kraagbus	Collar bushing
9	1	STM9855	Bus 22x10,5 d=7	Bush 22x10,5 d=7
10	1	STM9856	Spansteun	Tensioner Bracket
11	1	STM6562	Bout M8x70	Bolt M8x70
12	1	STM1056	Veerring M8	Spring washer M8
13	1	STM7059	Bout M8x30	Bolt M8x30
14	1	STM1653	Sluitring M8	Ring M8
15	1	CT30059	Bus d=4	Spacer d=4
16	1	STM3749	Ring	Washer

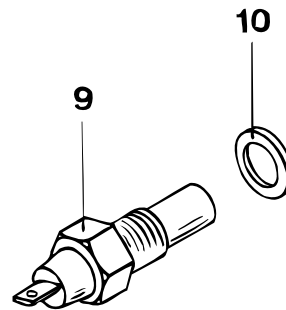
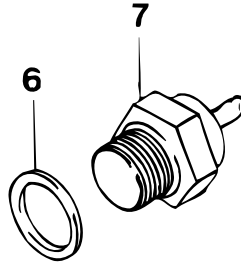
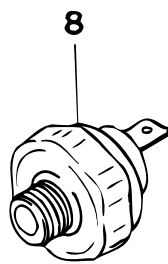
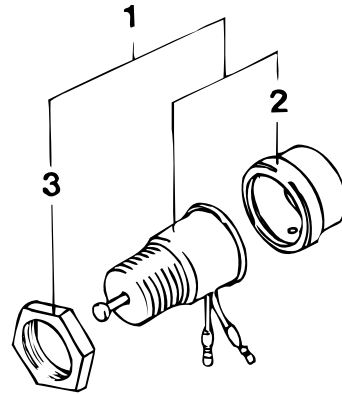
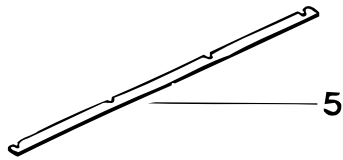
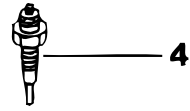


M4.56

Tweede dynamo 12 V - 110 A, 1p., kielkoeling

Extension alternator 12 V - 110 A, 1p., keelcooling

pos.	qty	part	benaming	description
17	1	STM1019	Gegolfde veerring M8	Wave spring washer M8
18	1	STM2005	Moer M8	Nut M8
19	1	STM9440	Slang	Hose
20	1	STM9441	Slangpilaar	Hose pilar
21	2	STM9505	Slangklem	Hose clamp
22	1	08-01333	Bedrading	Wiring
23	1	STM9861	Relaissteun	Relay support
24	3	STM9050	Relais	Relais
25	1	08-01420	ATOF Zekering 20A	ATOF Fuse 20A
26	3	STM9063	Bout M5x10	Bolt M5x10
27	3	STM7294	Gegolfde veerring M5	Wave spring washer M5
28	1	STM9805	Set 2 ^e dynamo 110 A	Set 2 nd alternator 110 A
29	1	08-01335	Bedrading extra dynamo 75 A & 110	Wiring second alternator 75 A & 110 A

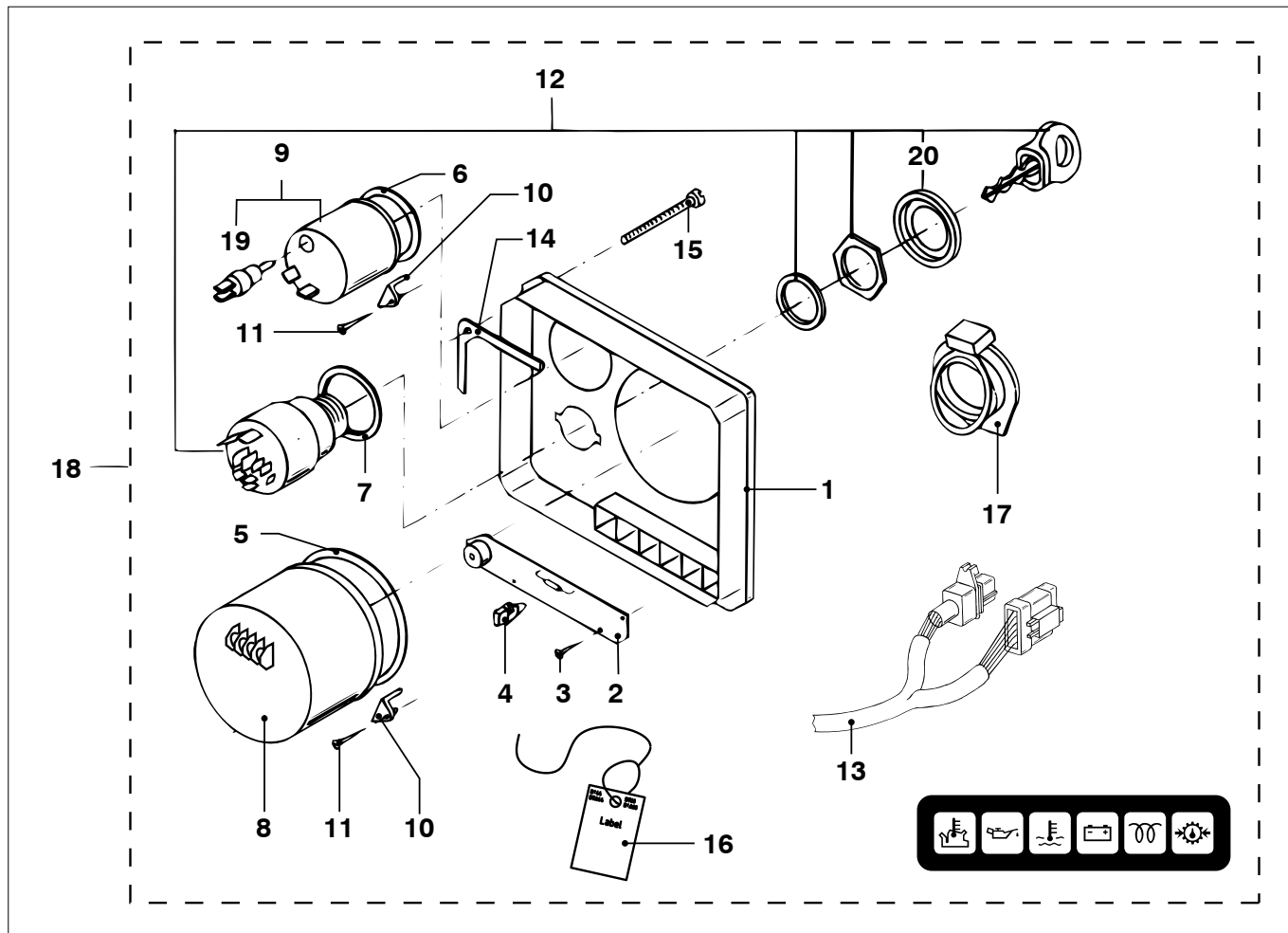


M4.55 M4.56

Zenders + schakelaars

Sender units + switches

pos.	qty	part	benaming	description
1	1	STM2740	Stopmagneet cpl.	Solenoid cpl.
2	1	STM3650	Rubber kap	Rubber cap
3	1	STM2742	Moer	Nut
4	4	STM7931	Gloeibougje	Glow plug
5	1	STM7932	Strip	Plate
6	1	STM6269	Afdichtring M16	Seal washer M16
7	1	STM7999	Temp. schak. koelvl.st. 105 °C M16x1,5 1p	Temp. switch coolant 105 °C M16x1.5 1p
8	1	STM7834	Oliedrukschakelaar M10x1k 1p	Oil pressure switch M10x1k 1p
9	1	STM2006	Temp.schak. uitlaat 75°C M18x1,5 1p	Temp. switch exhaust 75°C M18x1.5 1p
10	1	STM2019	Afdichtring	Seal washer

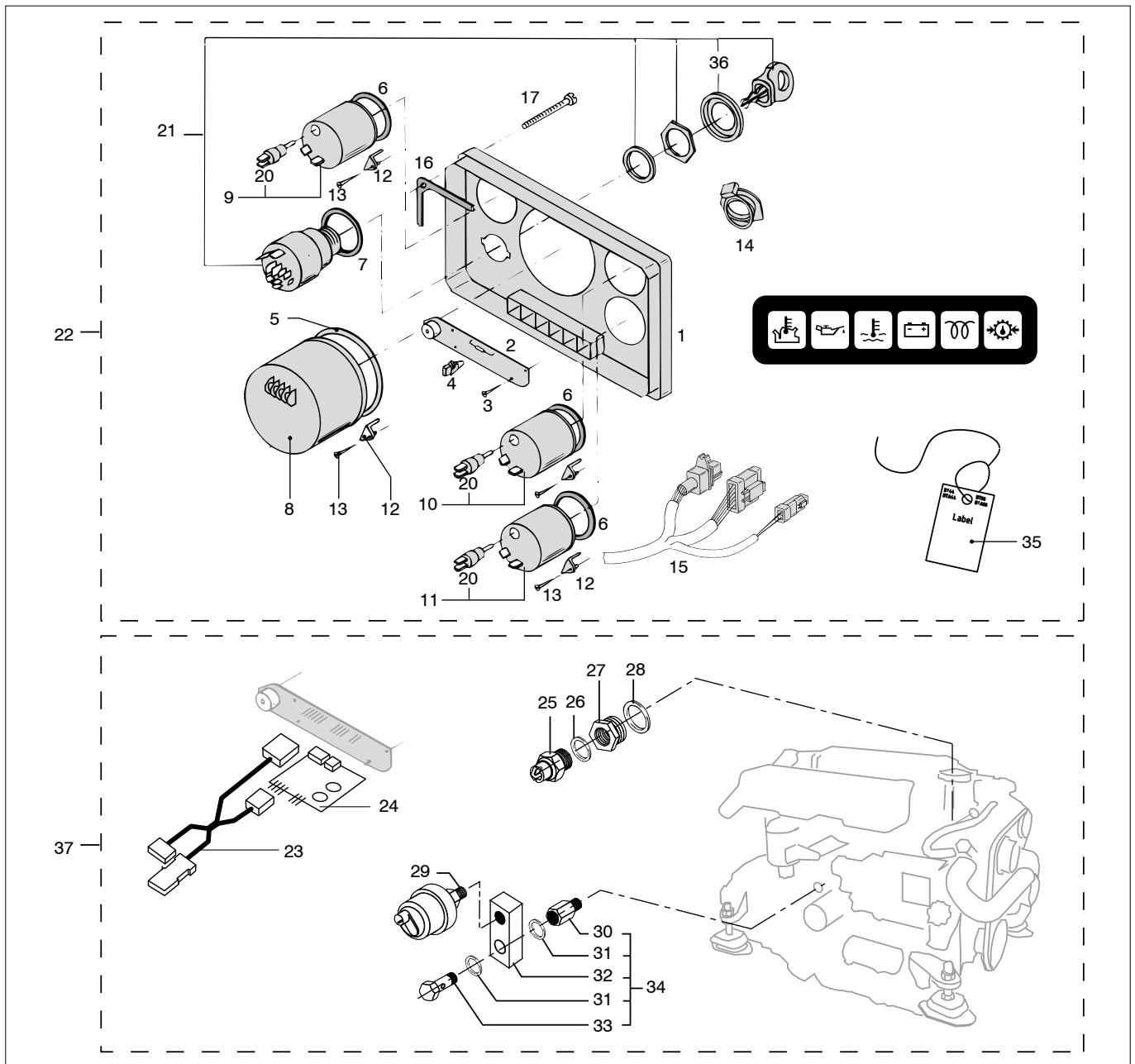


M4.55 M4.56

Instrumenten paneel '22' standaard

Instrument panel '22' standard

pos.	qty	part	benaming	description
1	1	STM9186	Paneel incl. frontfolie	Panel incl. overlay
2	1	STM6912	Print MP20, 21, 22 cpl. 12 V	PCB MP20, 21, 22 cpl. 12 V
3	4	P2295RKP	Plaatschroef	Screw
4	6	STM9169	Gloeilamp 12 V	Bulb 12 V
5	1	STM9170	Pakking	Gasket
6	1	STM9171	Pakking	Gasket
7	1	STM9172	Pakking	Gasket
8	1	STM9176	Toeren/urenteller, zwart, 0-4000 rpm	Tachometer/hour counter, black, 0-4000 rpm
	1	LNTACHU	Toeren/urenteller, beige, 0-4000 rpm	Tachometer/hour counter, beige, 0-4000 rpm
9	1	STM9177	Voltmeter, zwart, 12 V	Voltmeter, zwart, 12 V
	1	LNVOLT12U	Voltmeter, beige, 12 V	Voltmeter, beige, 12 V
10	6	PA6488	Beugel	Bracket
11	6	P35134RKP	Plaatschroef	Screw
12	1	STM9215	Contactslot + sleutel	Key switch + key
13	1	STM6978	Paneelbedrading	Wiring
14	1	STM9180	Pakking	Gasket
15	4	P35254ZKP	Plaatschroef	Screw
16	1	STM9731	Label 'Afregele toerenteller'	Label 'Adjusting tachometer'
17	1	STM9188	Contactslot deksel	Key switch cover
18	1	MP22BS12A	Instr.paneel cpl. zwarte instr. 0-4000 rpm 12 V	Instr.panel cpl. black instr. 0-4000 rpm 12 V
	1	MP22BN12A	Instr.paneel cpl. beige instr. 0-4000 rpm 12 V	Instr.panel cpl. beige instr. 0-4000 rpm 12 V
19	1	CT40133	Gloeilamp 12 V	Bulb 12 V
20	1	STM9888	Kap	Cover

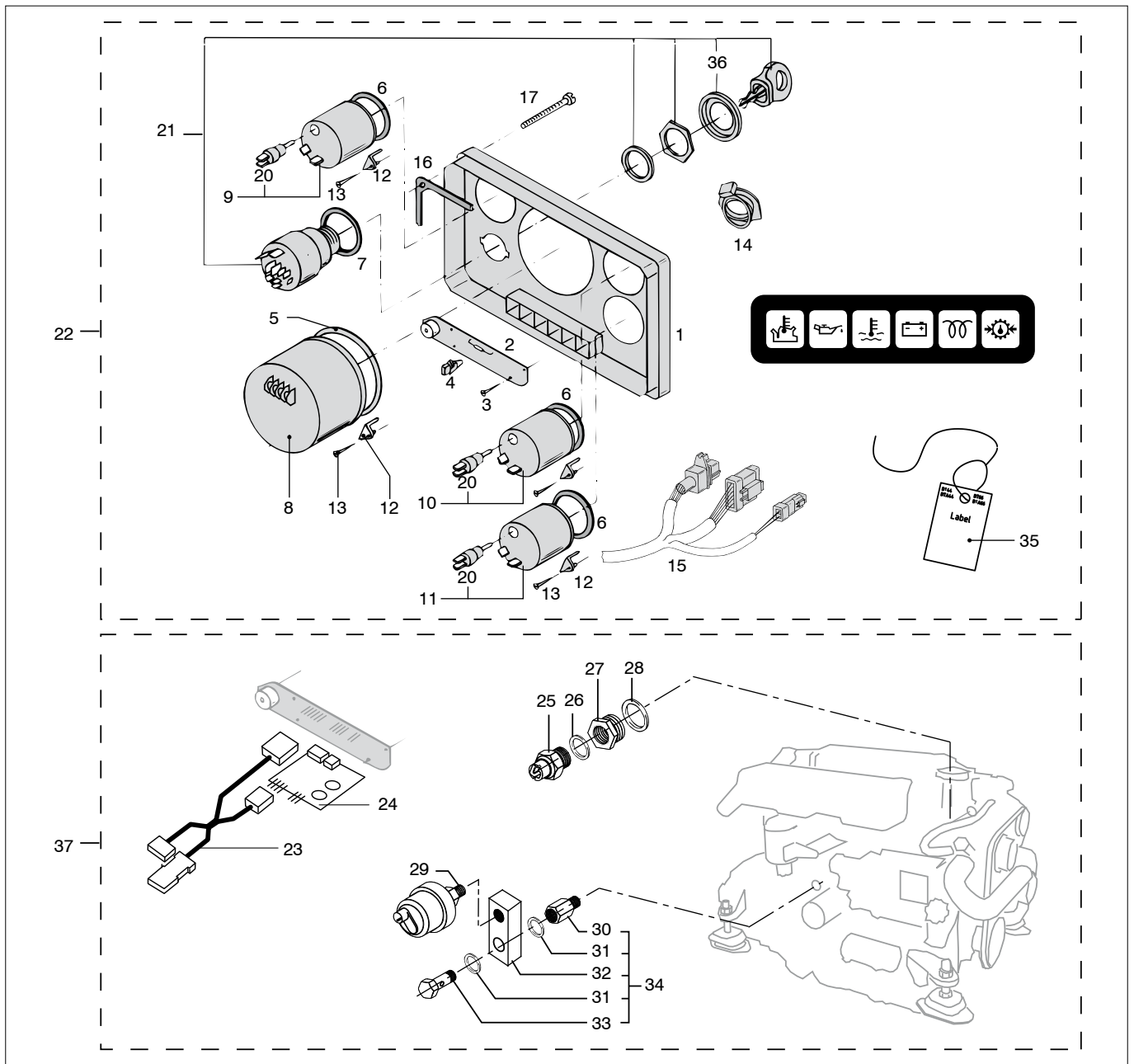


M4.55 M4.56

Instr. paneel model '34'

Instr. panel model '34'

pos.	qty	part	benaming	description
1	1	STM6571	Paneel incl. fr.folie	Panel incl. overlay
2	1	STM6914	Print MP34 cpl. 12 V	PCB MP34 cpl. 12 V
3	4	P2295RKP	Plaatschroef	Screw
4	6	STM9169	Gloeilamp 12 V	Bulb 12 V
5	1	STM9170	Pakking	Gasket
6	3	STM9171	Pakking	Gasket
7	1	STM9172	Pakking	Gasket
8	1	STM9176	Toeren/urenteller, zwart, 0-4000 rpm	Tachometer/hour counter, black, 0-4000 rpm
	1	LNTACHU	Toeren/urenteller, beige, 0-4000 rpm	Tachometer/hour counter, beige, 0-4000 rpm
9	1	STM9177	Voltmeter, zwart, 12 V	Voltmeter, black, 12 V
	1	LNVOLT12U	Voltmeter, beige, 12 V	Voltmeter, beige, 12 V
10	1	STM9178	Temperatuurmeter, zwart, 40-120°C 12 V	Temperature gauge, black, 40-120°C, 12 V
	1	LNTEMP12U	Temperatuurmeter, beige, 40-120°C 12 V	Temperature gauge, beige, 40-120°C, 12 V
11	1	STM9179	Oliedrukmeter, zwart, 0-8 bar, 12 V	Oil pressure gauge, black, 0-8 bar, 12 V
	1	LNOIL12U	Oliedrukmeter, beige, 0-8 bar, 12 V	Oil pressure gauge, beige, 0-8 bar, 12 V
12	6	PA6488	Beugel	Bracket

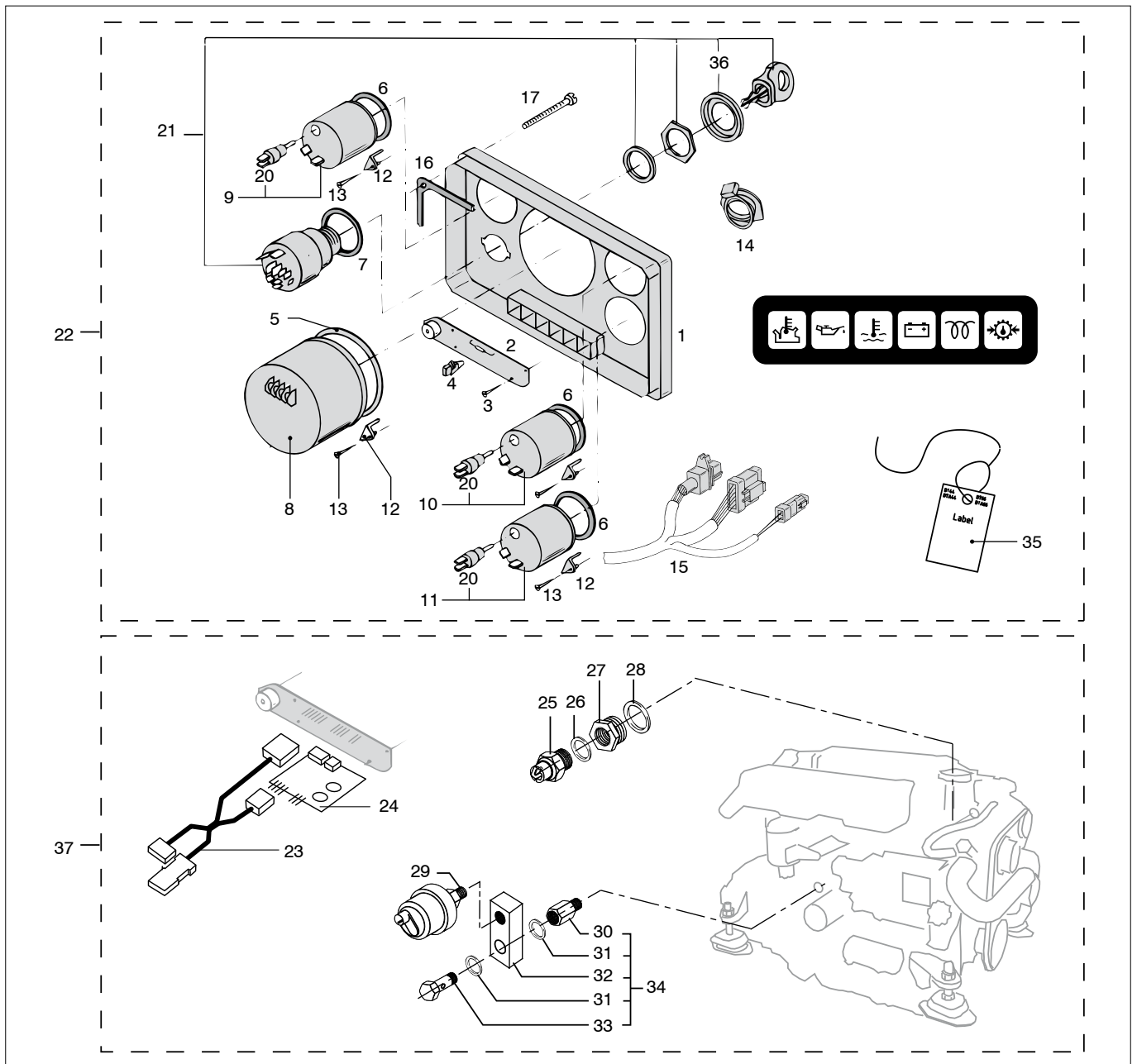


M4.55 M4.56

Instr. paneel model '34'

Instr. panel model '34'

pos.	qty	part	benaming	description
13	6	P35134RKP	Plaatschroef	Screw
14	1	STM9188	Contactslot deksel	Key switch cover
15	1	STM6918	Paneelbedrading	Wiring
16	1	STM9181	Pakking	Gasket
17	4	P35254ZKP	Plaatschroef	Screw
18	2	CT40131	Gloeilamp 12 V	Bulb 12 V
20	1	CT40133	Gloeilamp 12 V	Bulb 12 V
21	1	STM9215	Contactslot + sleutel	Key switch + key
22	1	MP34BS12A	Instr.paneel cpl. zwarte instr. 0-4000 rpm 12 V	Instr.panel cpl. black instr. 0-4000 rpm 12 V
	1	MP34BN12A	Instr.paneel cpl. beige instr. 0-4000 rpm 12 V	Instr.panel cpl. beige instr. 0-4000 rpm 12 V
23	1	STM6955	Verloopkabel (MPVB2)	Cable (MPVB2)
24	1	STM6911	Interface	Interface
25	1	STM8326	Binnenwater temperatuur zender M14x1,5 12-24 V 40-120°C	Temp. sender coolant M14x1,5 12-24 V 40-120°C
26	1	STM1062	Afdichtring	Seal

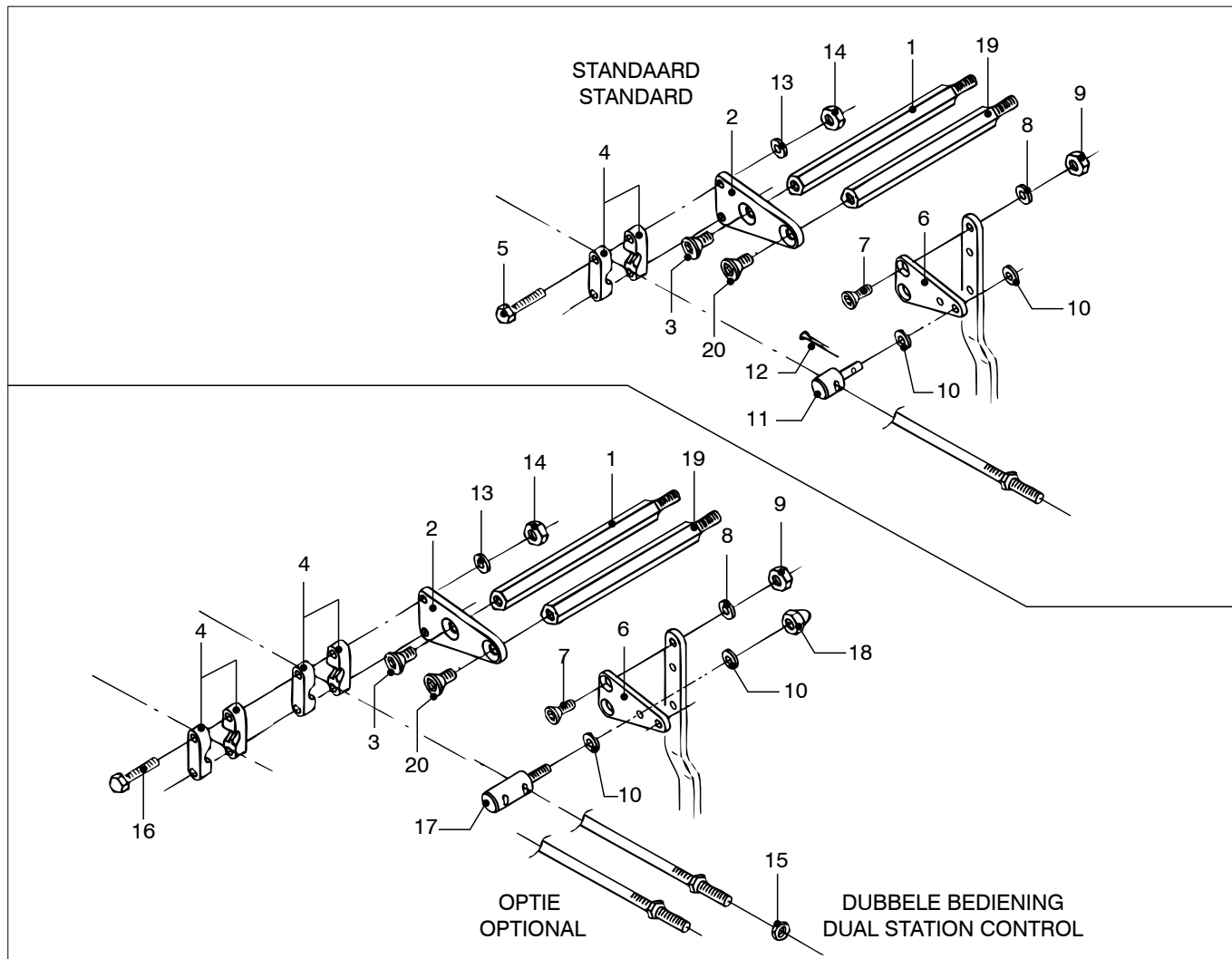


M4.55 M4.56

Instr. paneel model '34'

Instr. panel model '34'

pos.	qty	part	benaming	description
27	1	AD14-16	Verloop	Adaptor
28	1	STM6269	Afdichtring	Seal
29	1	CT40083	Oliedruksender	Sender oil pressure
30	1	STM6341	Verloop	Adaptor
31	2	STM2018	Afdichtring	Seal
32	1	STM7580	Verloopblok	Adaptor block
33	1	STM7582	Holbout	Hollow bolt
34	1	STM7581	Verloopset	Adaptor set
35	1	STM9731	Label 'Afregele toerenteller'	Lable 'Adjusting tachometer'
36	1	STM9888	Kap	Cover
37	1	STM6961	Set uitgebreid paneel	Set extended panel

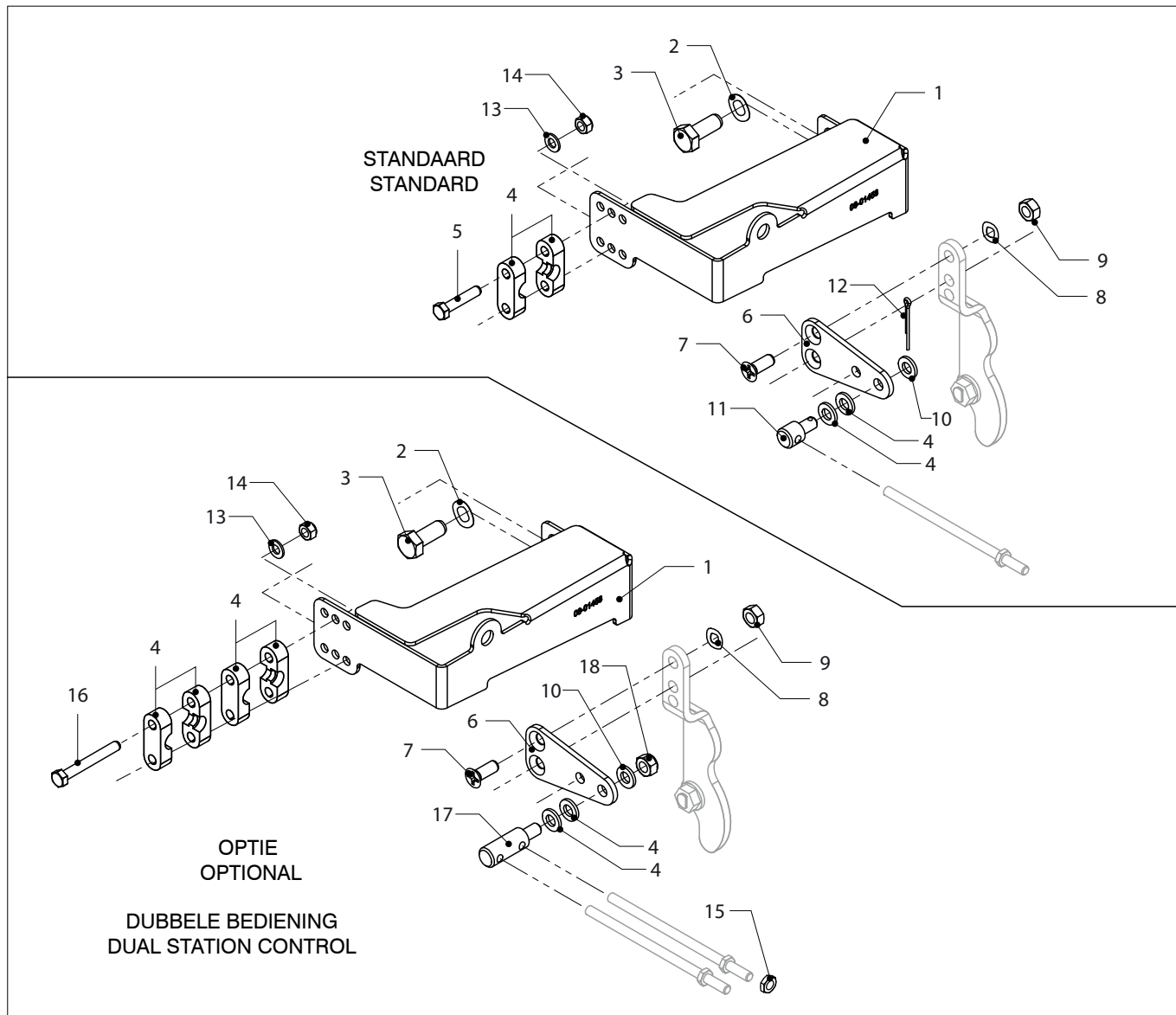


M4.55

Bediening, GAS

Controls, THROTTLE

pos.	qty	part	benaming	description
1	1	STM8255	Afstandhouder l=126	Spacer l=126
2	1	STM7576	Bevestigingssteun	Support
3	1	STM7593	Schroef M8x6	Screw M8x6
4	1	STM1703	Kabelklem (standaard)	Cabel clamp (standard)
	2	STM1703	Kabelklem (optie)	Cabel clamp (optional)
5	2	STM1704	Bout M5x25 (standaard)	Bolt M5x25 (standard)
6	1	STM7577	Hefboom	Lever
7	2	STM7594	Schroef M6x16	Screw M6x16
8	2	STM1025	Gegolfde veerring M6	Wave spring washer M6
9	2	STM8569	Moer M6	Nut M6
10	2	STM1807	Ring M6	Washer M6
11	1	STM1806	Kabelnippel (standaard)	Cable nipple (standard)
12	1	STM1808	Splitpen 2x25 (standaard)	Split pin 2x25 (standard)
13	4	STM1707	Ring M5	Washer M5
14	4	STM1705	Moer M5	Nut M5
15	1	STM6568	Moer 10-32UNF (optie)	Nut 10-32UNF (optional)
16	2	STM1907	Bout M5x40 (optie)	Bolt M5x40 (optional)
17	1	STM1902	Gaskabel nippel (optie)	Throttle nipple (optional)
18	1	STM8129	Zelfborgende moer M6 (optie)	Nyloc nut M6 (optional)
19	1	STM7472	Afstandhouder l=122	Spacer l=122
20	1	STM7458	Schroef M8 x 20	Screw M8 x 20

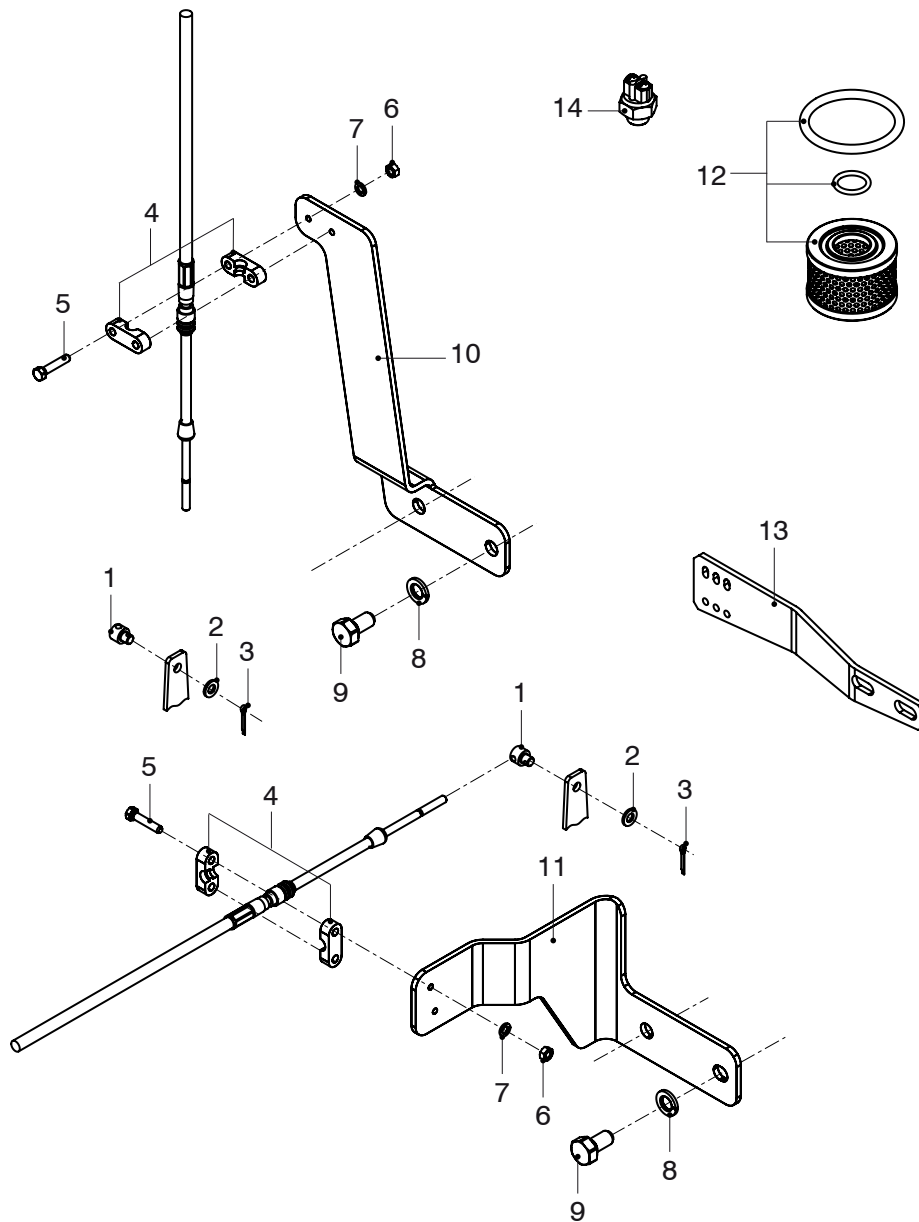


M4.56

Bediening, GAS

Controls, THROTTLE

pos.	qty	part	benaming	description
1	1	08-01458	Steun	Support
2	2	STM1019	Veerring M8	Spring washer M8
3	2	STM3355	Bout M8x20	Bolt M8x20
4	1	STM1703	Kabelklem (standaard)	Cable clamp (standard)
	2	STM1703	Kabelklem (optie)	Cable clamp (option)
5	2	STM1704	Bout M5x25 (standaard)	Bolt M5x25 (standaard)
6	1	STM7577	Hefboom	Lever
7	2	STM7594	Schroef M6x16	Screw M6x16
8	1	STM1025	Gegolfde veerring M6	Wave spring washer M6
9	1	STM8569	Moer M6	Nut M6
10	1	STM1807	Ring M6	Washer M6
11	1	STM1806	Kabelnippel (standaard)	Cable nipple (standard)
12	1	STM1808	Splitpen 2x25 (standaard)	Split pin (standard)
13	4	STM1707	Ring M5	Washer M5
14	4	STM1705	Moer M5	Nut M5
15	1	STM6568	Moer 10-32unf (optie)	Nut 10-32unf (option)
16	2	STM1907	Bout M5x40	Bolt M5x40
17	1	STM1902	Gaskabel nippel (optie)	Throttle nipple (option)
18	1	STM8129	Zelfborgende moer M6 (optie)	Nyloc nut M6 (option)

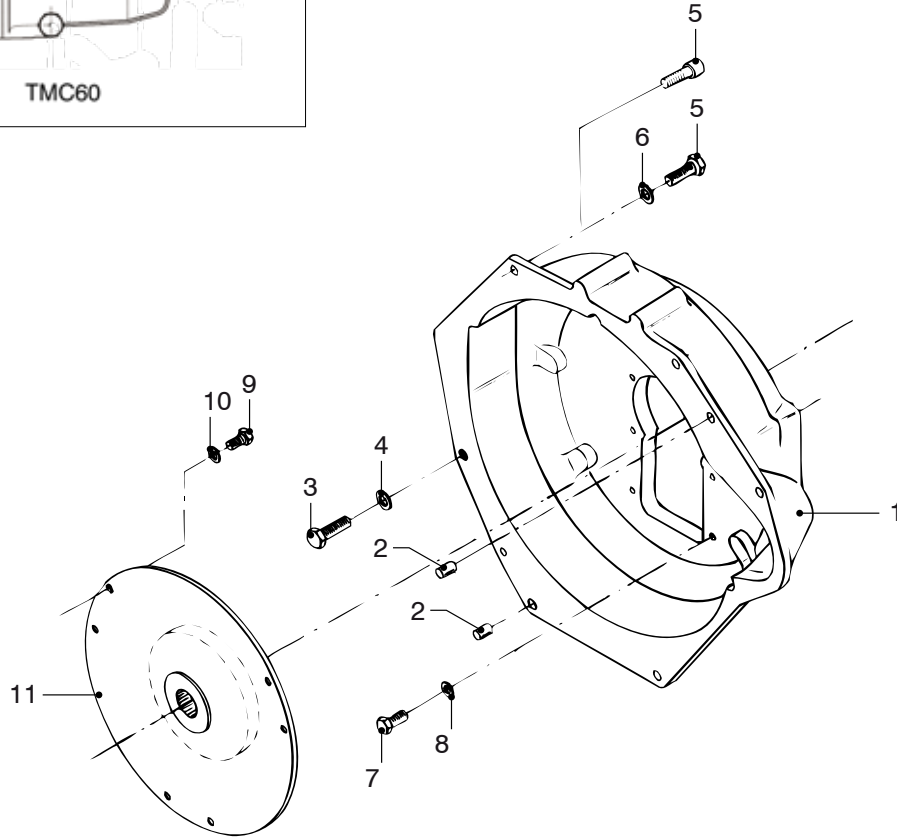
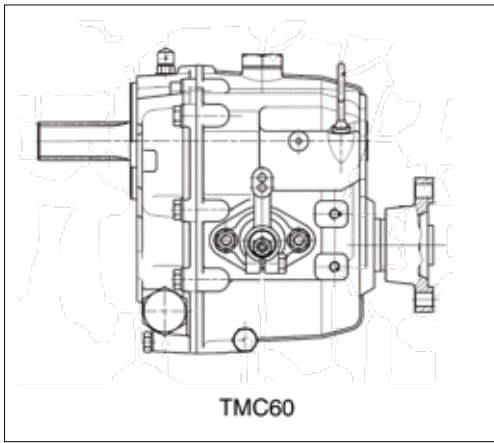


M4.55 M4.56

Bediening, KEERKOPPELING

Controls, GEARBOX

pos.	qty	part	benaming	description
1	1	STM1806	Kabelnippel	Cable nipple
2	1	STM1807	Ring	Washer
3	1	STM1808	Splitpen	Split pin
4	1	STM1703	Kabelklem	Cable clamp
5	2	STM1704	Bout M5x25	Bolt M5x25
6	2	STM1705	Moer M5	Nut M5
7	2	STM1019	Veerring M5	Spring washer M5
8	2	STM4014	Veerring M10	Spring washer M10
9	2	STM9765	Bout 3/8" UNC x 3/4"	Bolt 3/8" UNC x 3/4"
10	1	STM9750	Steun ZF vertikaal	Support ZF vertical
11	1	STM9742	Steun ZF horizontaal (optie)	Support ZF horizontal (option)
12	1	CT50081	Oliefilter ZF	Oil filter ZF
13	1	STM6238	Steun Technodrive TM345(A)	Support Technodrive TM345(A)
	1	STM6239	Steun Technodrive TMC60	Support Technodrive TMC60
14	1	STM5180	Neutraal schakelaar ZF	Neutral safety switch ZF

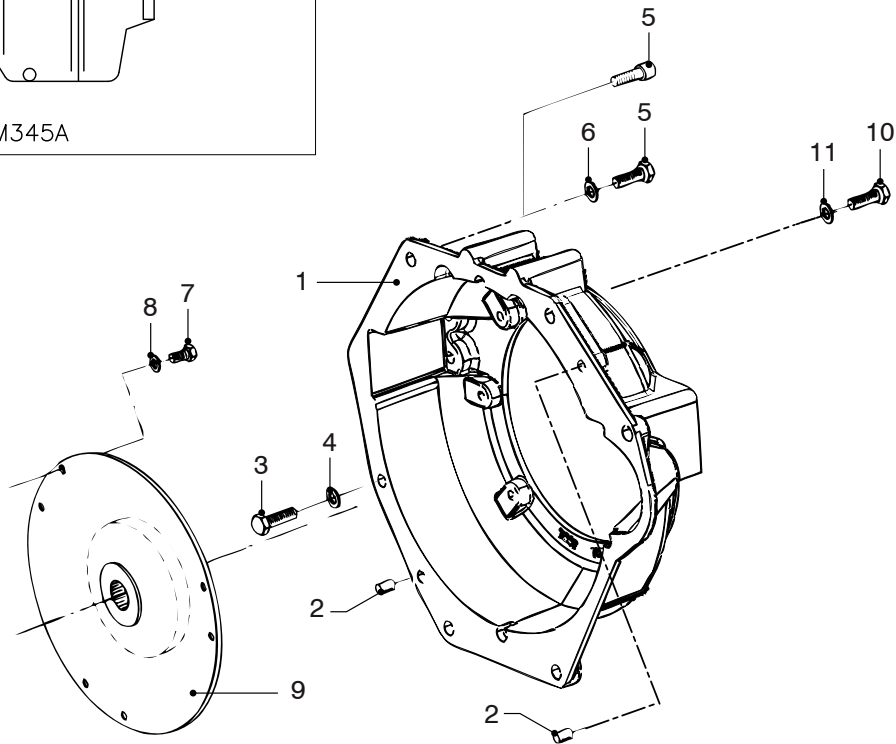
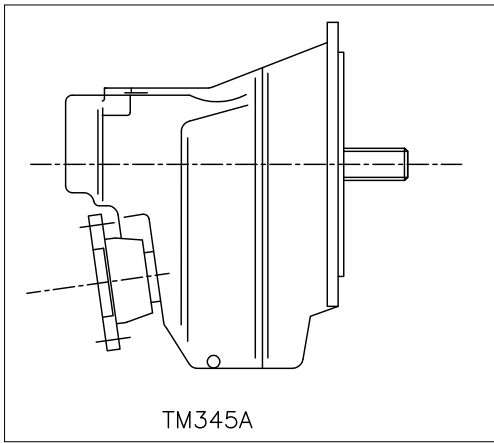


M4.55 M4.56

Vliegwielhuis TMC60

Flywheel housing TMC60

pos.	qty	part	benaming	description
1	1	STM7566	Vliegwielhuis ø 88	Flywheel housing ø 88
2	2	STM3813	Paspen 10x12 DIN7	Pin 10x12 DIN7
3	1	STM7053	Bout M12x1,25x30	Bolt M12x1.25x30
4	1	STM4003	Veerring M12	Spring washer M12
5	4	STM7053	Bout M12x1,25x30	Bolt M12x1.25x30
	4	16-4138	Inbusbout M12x1,25x30	Allen screw M12x1.25x30
6	4	STM4056	Gegolfde veerring M12	Wave spring washer M12
	-	STM4056	Gegolfde veerring M12	Wave spring washer M12
7	6	STM7059	Bout M8x1,25x30 TMC60	Bolt M8x1,25x30 TMC60
	6	STM1610	Bout M8x1,25x25 TMC60M	Bolt M8x1,25x25 TMC60M
	6	STM7059	Bout M8x1,25x30 TMC60E	Bolt M8x1,25x30 TMC60E
8	6	STM1019	Gegolfde veerring M8	Wave spring washer M8
9	6	STM4055	Bout M8x1,25x16	Bolt M8x1.25x16
10	6	STM1056	Veerring M8	Spring washer M8
11	1	STM4104	Demperplaat DIN splines z=10	Damperplate DIN splines z=10

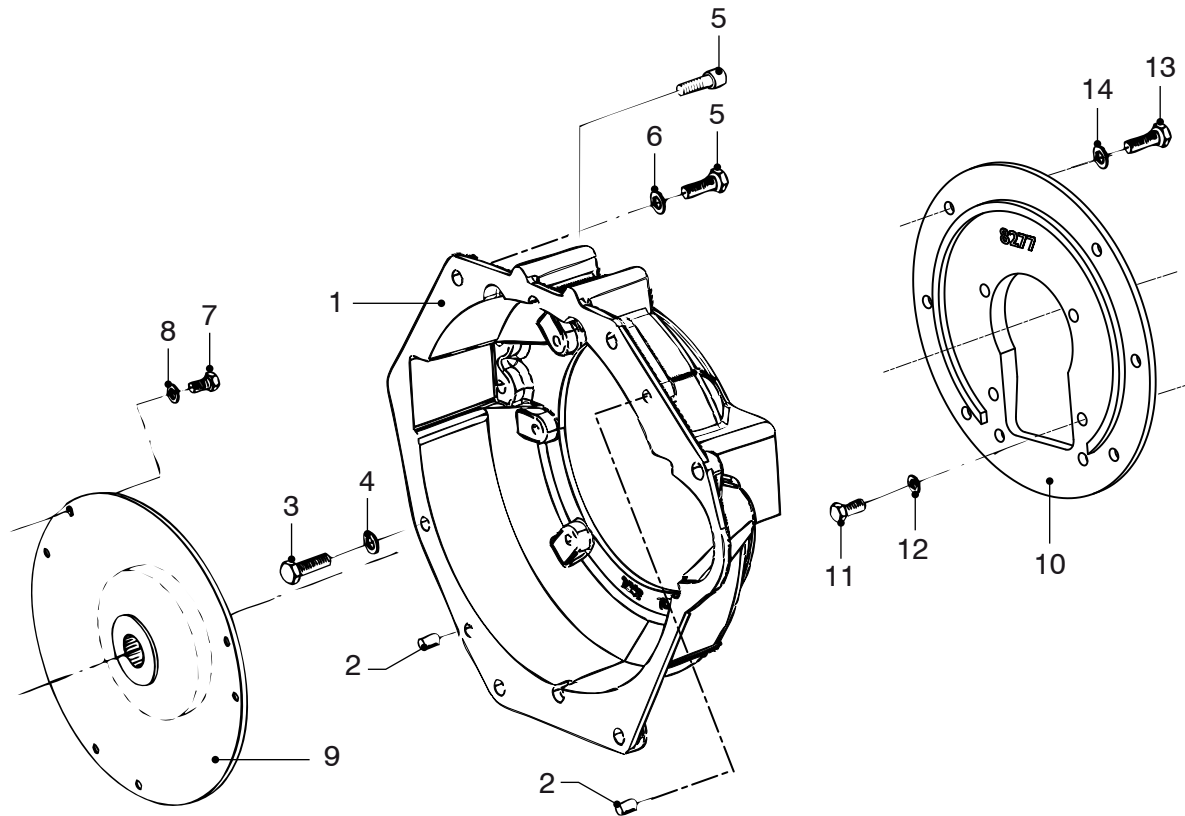
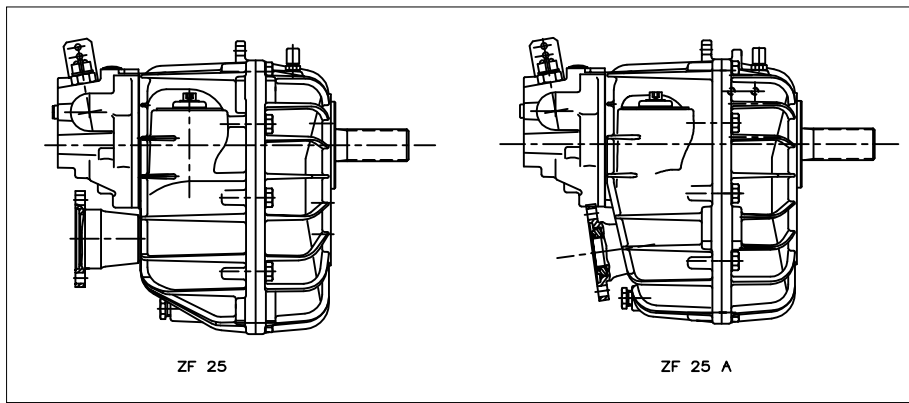


M4.55 M4.56

Vliegwielhuis TM345(A)

Flywheel housing TM345(A)

pos.	qty	part	benaming	description
1	1	STM7567	Vliegwielhuis SAE7 ø 209,55	Flywheel housing SAE7 ø 209,55
2	2	STM3813	Paspen 10x12 DIN7	Pin 10x12 DIN7
3	1	STM7053	Bout M12x1,25x30	Bolt M12x1.25x30
4	1	STM4003	Veerring M12	Spring washer M12
5	4	STM7053	Bout M12x1,25x30	Bolt M12x1.25x30
	4	16-4138	Inbusbout M12x1,25x30	Allen screw M12x1.25x30
6	4	STM4056	Gegolfde veerring M12	Wave spring washer M12
	-	STM4056	Gegolfde veerring M12	Wave spring washer M12
7	6	STM4055	Bout M8x1,25x16	Bolt M8x1.25x16
8	6	STM1056	Veerring M8	Spring washer M8
9	1	STM7609	Demperplaat sae splines z=26	Damperplate sae splines z=26
10	6	STM9003	Bout M10x25	Bolt M10x25
11	6	STM4003	Gegolfde veerring M10	Wave spring washer M10

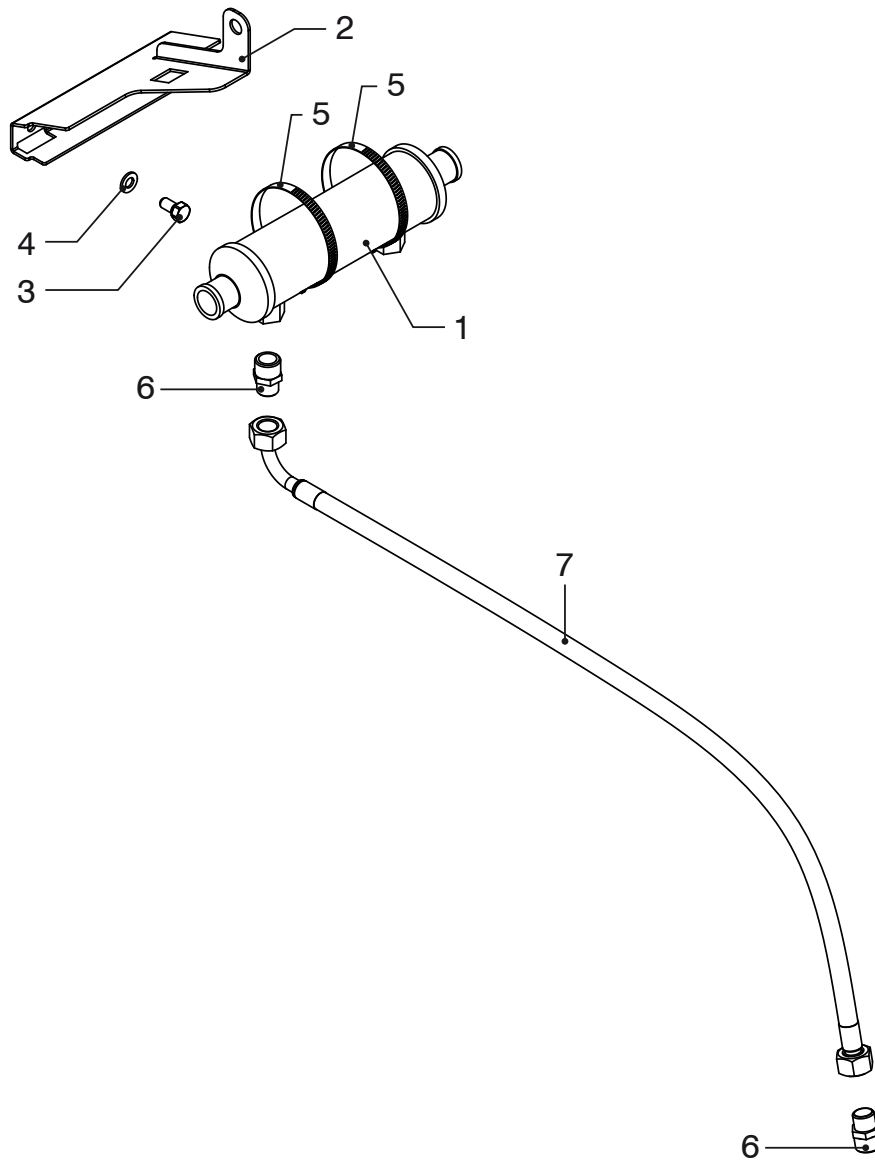


M4.55 M4.56

Vliegwielhuis ZF25 (A)

Flywheel housing ZF25 (A)

pos.	qty	part	benaming	description
1	1	STM7567	Vliegwielhuis SAE7 ø 209,55	Flywheel housing SAE 209,55
2	2	STM3813	Paspen 10x12 DIN7	Pin 10x12 DIN7
3	1	STM7053	Bout M12x1,25x30	Bolt M12x1.25x30
4	1	STM4003	Veerring M12	Spring washer M12
5	4	STM7053	Bout M12x1,25x30	Bolt M12x1.25x30
	4	16-4138	Inbusbout M12x1,25x30	Allen screw M12x1.25x30
6	4	STM4056	Gegolfde veerring M12	Wave spring washer M12
	-	STM4056	Gegolfde veerring M12	Wave spring washer M12
7	6	STM4055	Bout M8x1,25x16	Bolt M8x1.25x16
8	6	STM1056	Veerring M8	Spring washer M8
9	1	STM7609	Demperplaat sae splines z=26	Damperplate sae splines z=26
10	1	STM8277	Adapterplaat SAE7 -> ø 92	Adapter plate SAE7 -> ø 92
11	6	STM9003	Bout M10x1,5x25	Bolt M10x1.5x25
12	6	STM4003	Gegolfde veerring M10	Wave spring washer M10
13	6	STM9003	Bout M10x25	Bolt M10x25
14	6	STM4003	Gegolfde veerring M10	Wave spring washer M10

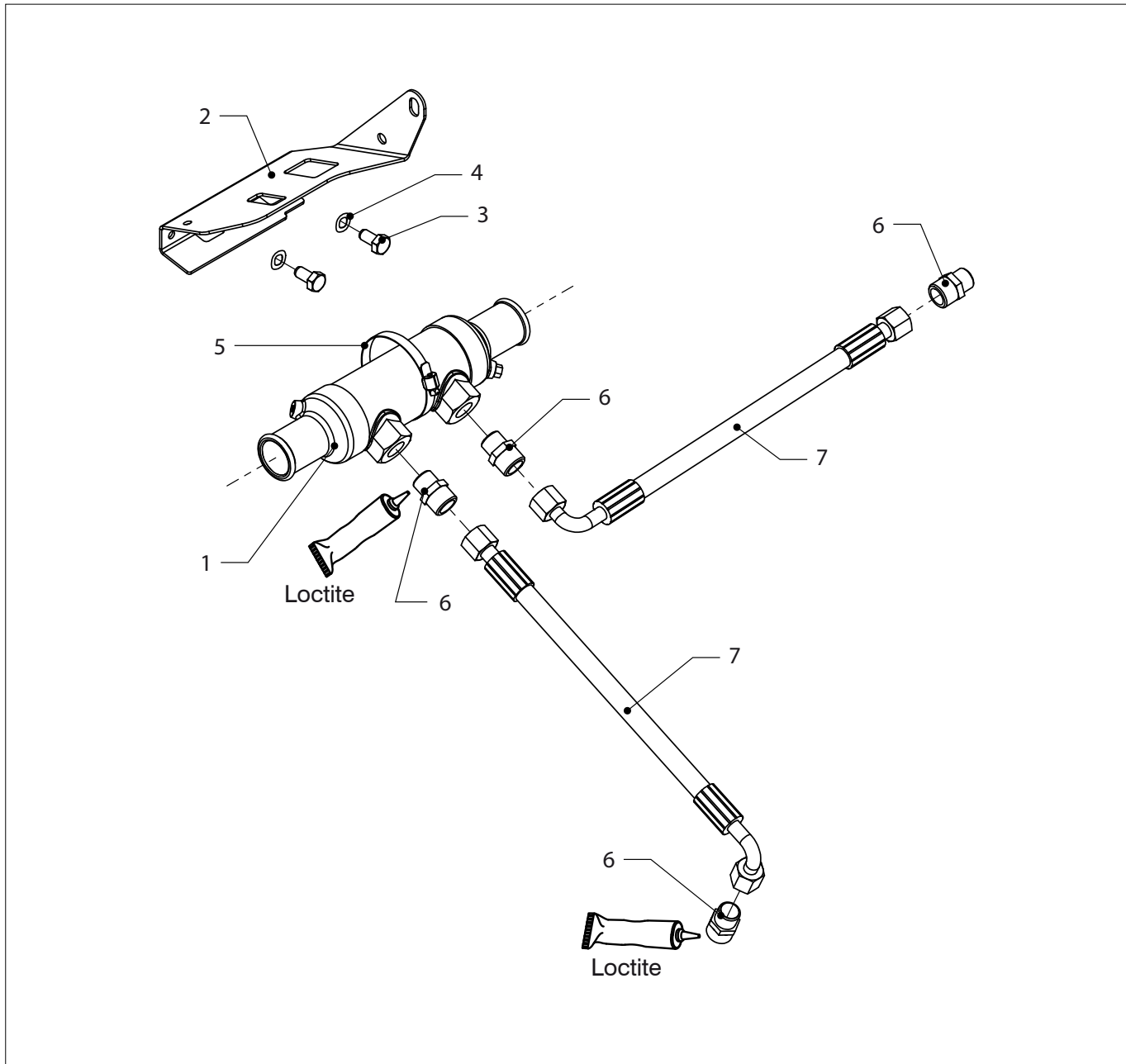


M4.55

Oliekoeler keerkoppeling

Oil cooler gearbox

pos.	qty	part	benaming	description
1	1	STM5007	Oliekoeler 7"x55-G3/8 25mm (Interkoeling)	Oil cooler 7"x55-G3/8 25mm (Inter cooling)
	1	STM3771	Oliekoeler 9"x55-G3/8 33mm (Kielkoeling)	Oil cooler 8"x55-G3/8 33mm (Keel cooling)
2	1	STM7498	Steun oliekoeler	Support oil cooler
3	2	STM4055	Bout M8x1,25x16	Bolt M8x1,25x16
4	2	STM1019	Gegolfde veerring M8	Wave spring washer M8
5	2	STM8148	Slangklem 58-75	Hose clamp 58-75
6	4	STM3491	Nippel G3/8-M16	Nipple G3/8-M16
7	2	CT50079	Slang l=550	Hose l=550

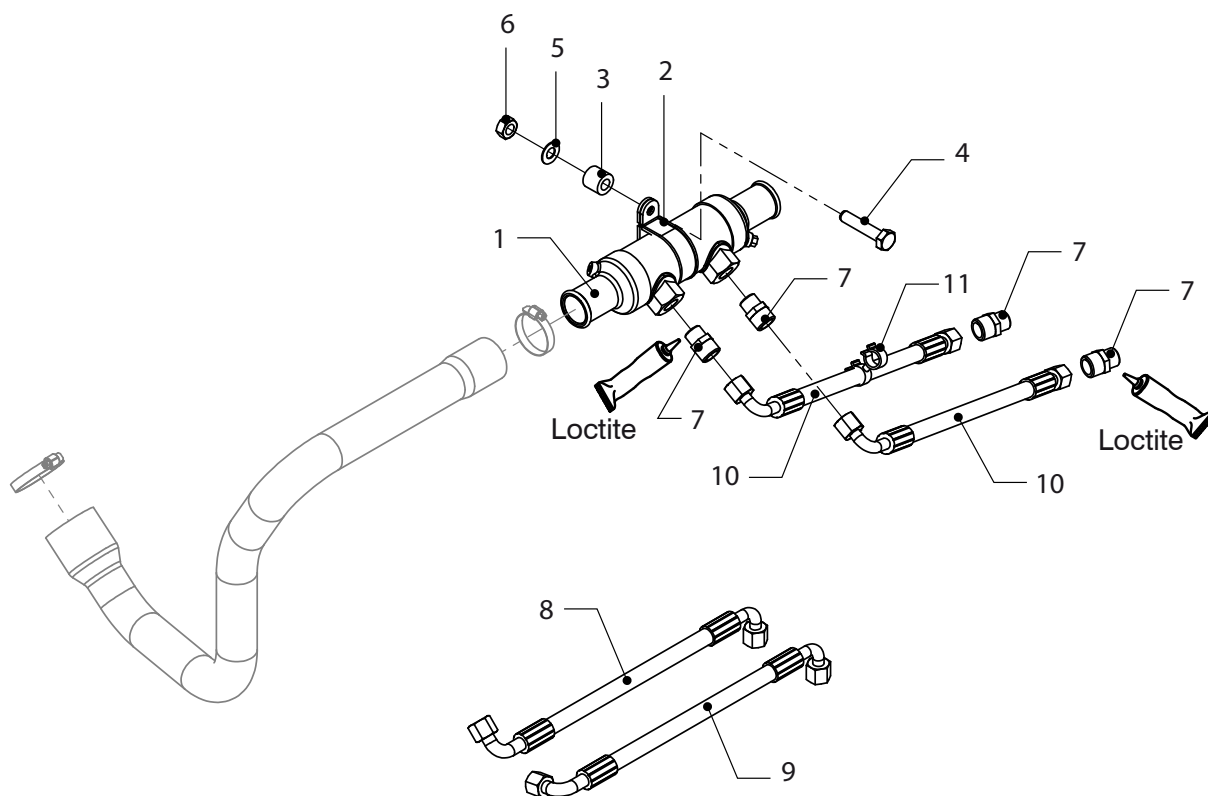


M4.56

Oliekoeler keerkoppeling interkoeling

Oil cooler gearbox intercooler

pos.	qty	part	benaming	description
1	1	08-01316	Oliekoeler	Oil cooler
2	1	08-01431	Steun oliekoeler	Support oil cooler
3	2	STM4055	Bout M8x1,25x16	Bolt M8x1,25x16
4	2	STM1019	Gegolfde veerring M8	Wave spring washer M8
5	1	STM8148	Slangklem 58-75	Hose clamp 58-75
6	4	STM3491	Nippel G3/8-M16	Nipple G3/8-M16
7	2	CT50080	Slang L=350	Hose L=350

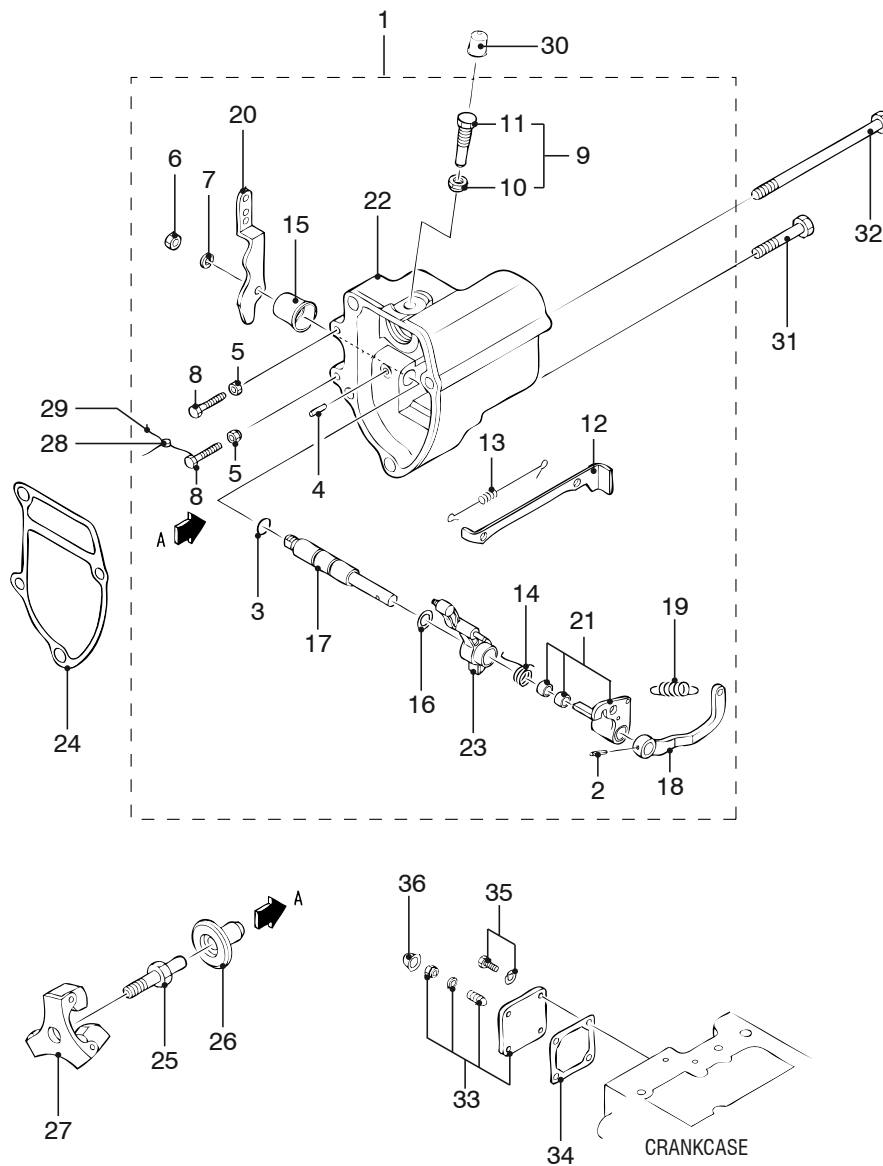


M4.56

Oliekoeler keerkoppeling kielkoeling

Oil cooler gearbox keelcooler

pos.	qty	part	benaming	description
1	1	08-01316	Oliekoeler	Oil cooler
2	1	08-00132	Klem	Clamp
3	1	STM8804	Bus	Bush
4	1	STM6560	Bout M10x50	Bolt M10x50
5	1	STM2022	Gegolfde veerring M10	Wave spring washer M10
6	1	STM4018	Moer M10	Nut M10
7	4	STM3491	Nippel G3/8-M16	Nipple G3/8-M16
8	1	08-01450	Slang L=590 PRM500/ZF25	Hose L=590 PRM500/ZF25
9	1	08-01451	Slang L=690 PRM500/ZF25	Hose L=590 PRM500/ZF25
10	2	CT50079	Slang L=550 TM345	Hose L=550 TM345
11	2	VD60090	Klem	Clamp

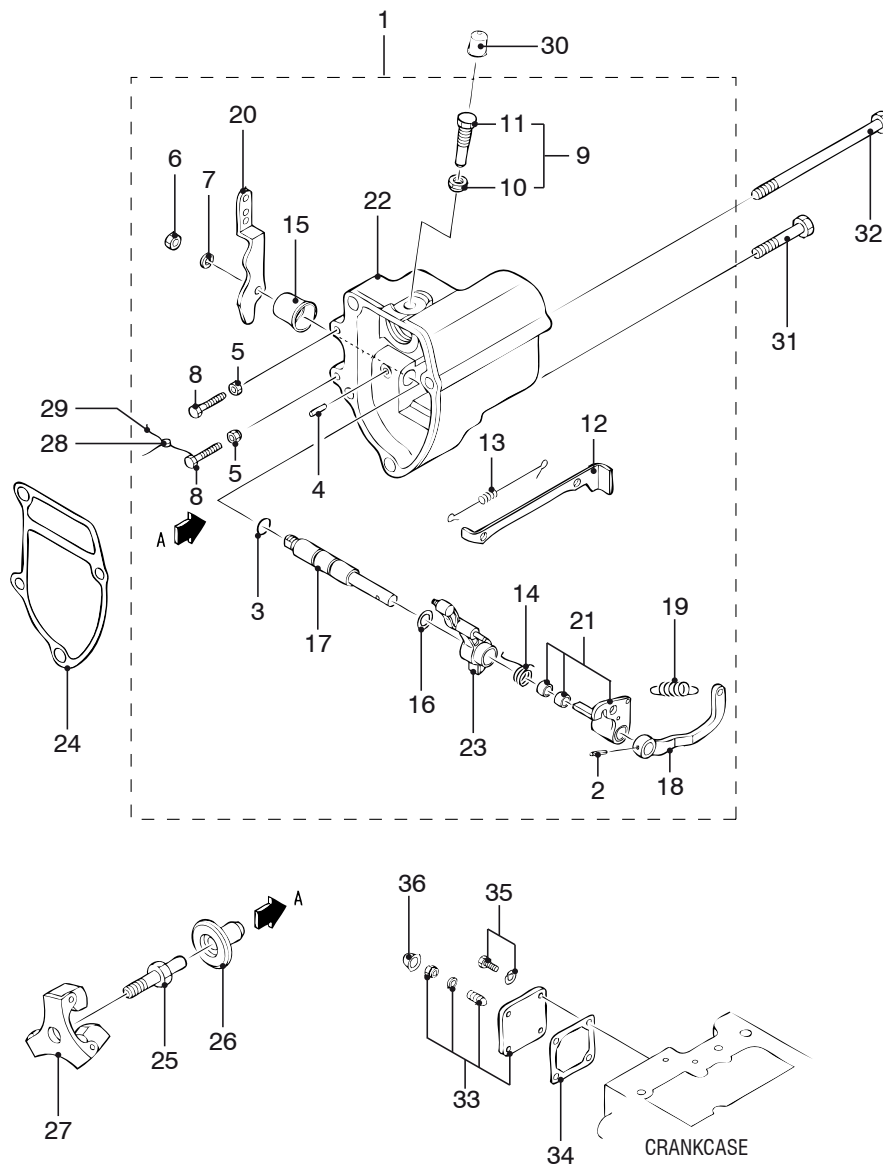


M4.55 M4.56

Regulateur

Regulator

pos.	qty	part	benaming	description
1	1	STM9967	Regulateur cpl.	Regulator cpl.
2	1	STM7896	Borgpen	Pin
3	1	STM7897	O-ring	O-ring
4	1	STM7898	Pen	Pin
5	2	STM7899	Moer	Nut
6	1	STM7900	Moer	Nut
7	1	STM7901	Veerring	Spring washer
8	2	STM7902	Bout	Bolt
9	1	STM7903	Schroef+moer	Screw+nut
10	1	STM7904	Moer	Nut
11	1	STM7905	Schroef	Screw
12	1	STM7906	Stang	Tie rod
13	1	STM7907	Veer	Spring
14	1	STM7908	Veer	Spring
15	1	STM7909	Deksel	Cover
16	1	STM7910	Shim	Shim
17	1	STM7911	As	Shaft
18	1	STM7912	Hefboom	Lever

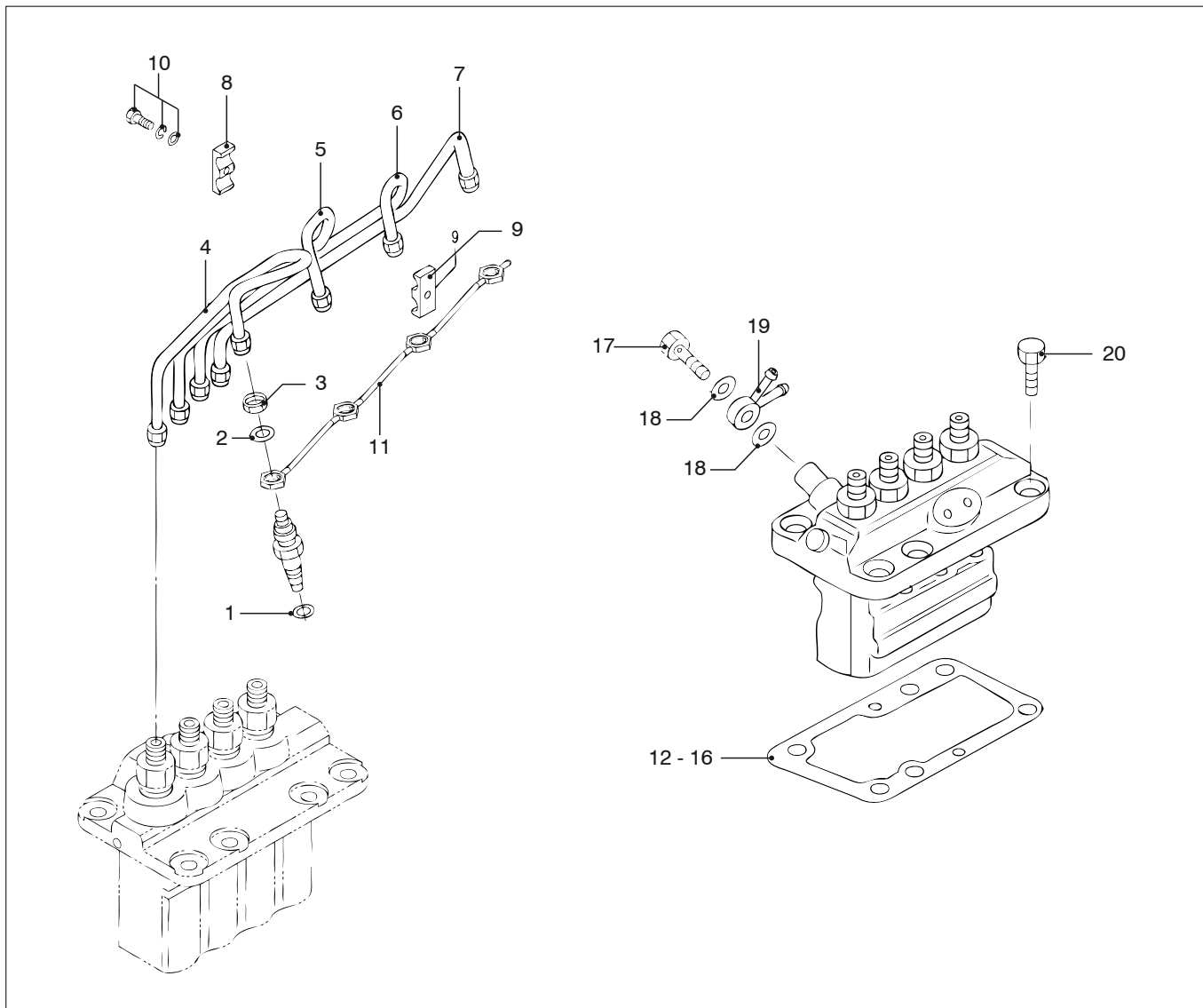


M4.55 M4.56

Regulateur

Regulator

pos.	qty	part	benaming	description
19	1	STM9903	Veer	Spring
20	1	STM7914	Hefboom	Lever
21	1	STM7915	Hefboom	Lever
22	1	STM7916	Huis	Case
23	1	STM7917	Hefboom	Lever
24	1	STM7918	Pakking	Gasket
25	1	STM7919	As	Shaft
26	1	STM7920	Geleiding	Sleeve
27	1	STM7921	Gewicht	Weight
28	1	STM2718	Zegellood	Seal metal
29	1	STM7922	Zegeldraad	Sealing wire
30	1	STM7923	Kap	Cap
31	3	STM7924	Bout	Bolt
32	1	STM7925	Bout	Bolt
33	1	STM9966	Deksel cpl	Cover cpl
34	1	STM7927	Pakking	Gasket
35	4	STM7928	Bout	Bolt
36	1	STM9969	Zegel	Sealing cap

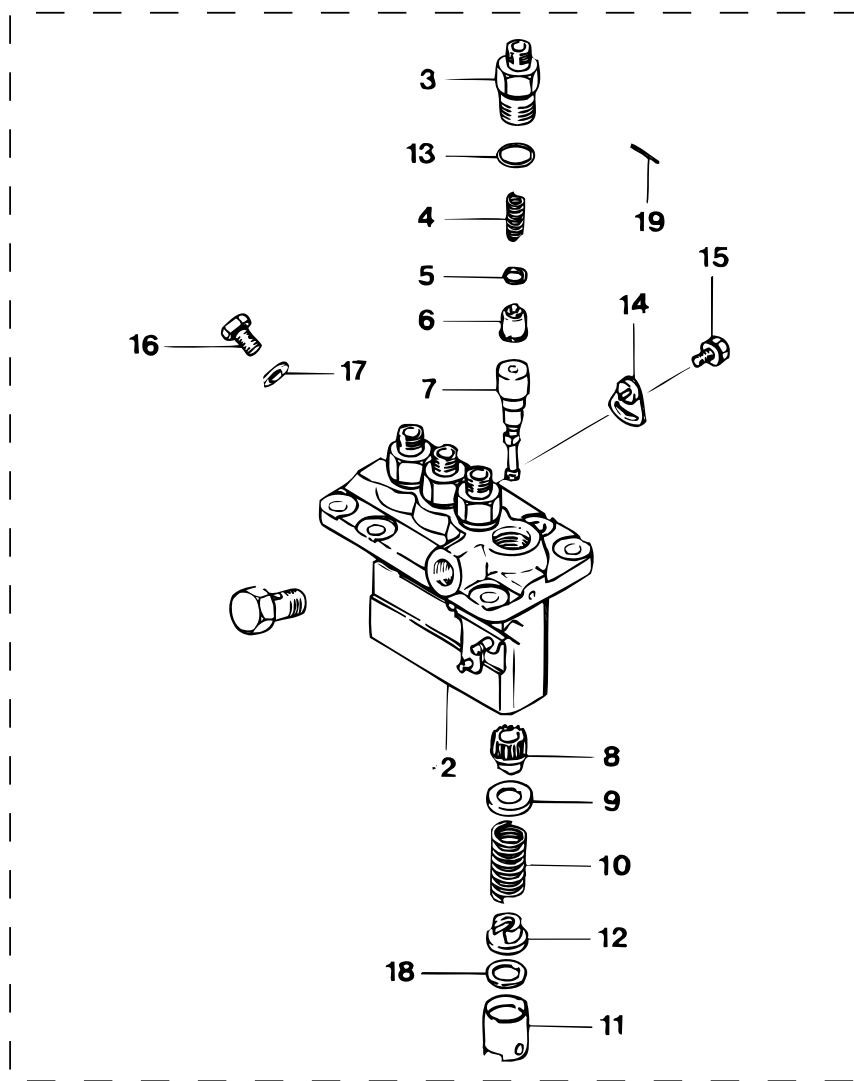


M4.55 M4.56

Brandstofleidingen

Fuel pipes

pos.	qty	part	benaming	description
1	4	STM7861	Pakking	Gasket
2	4	STM7862	Pakking	Gasket
3	4	STM7863	Moer	Nut
4	1	STM7864	Leiding	Pipe
5	1	STM7865	Leiding	Pipe
6	1	STM7866	Leiding	Pipe
7	1	STM7867	Leiding	Pipe
8	3	STM3409	Klem	Clamp
9	3	STM3410	Klem	Clamp
10	3	STM7868	Bout	Bolt
11	1	STM7869	Leiding	Pipe
12		STM7870	Shim 0.7	Shim 0.7
13		STM7871	Shim 0.8	Shim 0.8
14		STM7872	Shim 0.9	Shim 0.9
15		STM7873	Shim 1.0	Shim 1.0
16		STM7874	Shim 0.2	Shim 0.2
17	1	STM7875	Bout	Bolt
18	2	STM7876	Ring	Washer
19	1	STM7877	Slang pilaar	Hose pillar
20	6	STM9970	Bout	Bolt

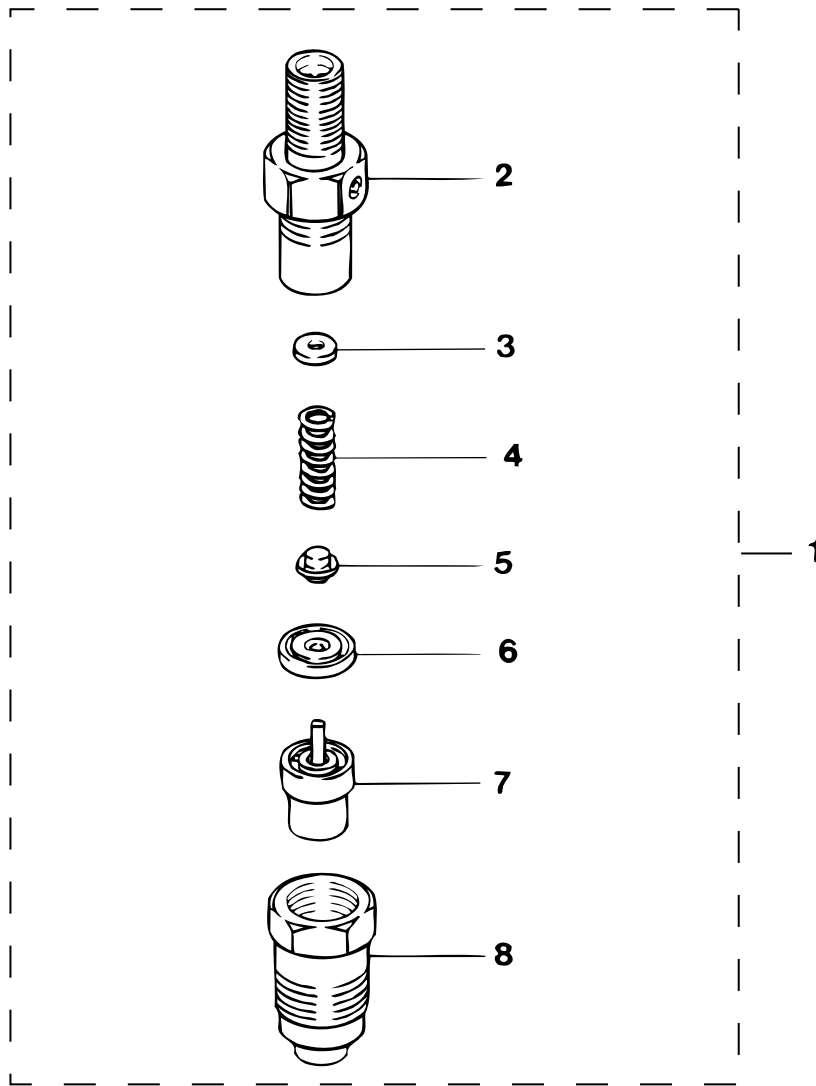


M4.55 M4.56

Brandstofpomp

Fuel pump

pos.	qty	part	benaming	description
1	1	STM9972	Brandstofpomp cpl.	Fuel pump cpl.
2	4	STM7969	Huis	Housing
3	4	STM9968	Houder	Holder
4	4	STM9963	Veer	Spring
5	4	STM7972	Pakking	Gasket
6	4	STM9964	Klep	Valve
7	4	STM9965	Element	Element
8	4	STM7975	Geleider	Sleeve
9	4	STM7976	Zitting	Seat
10	4	STM7977	Veer	Spring
11	4	STM7978	Stoter	Tappet
12	4	STM7979	Zitting	Seat
13	4	STM7980	O-ring	O-ring
14	3	STM7981	Stelplaat	Plate
15	3	STM7982	Bout	Bolt
16	1	STM7983	Schroef	Screw
17	1	STM7985	Ring	Washer
18	1	STM7986	Shim	Shim
19	1	STM7987	Pen	Pin

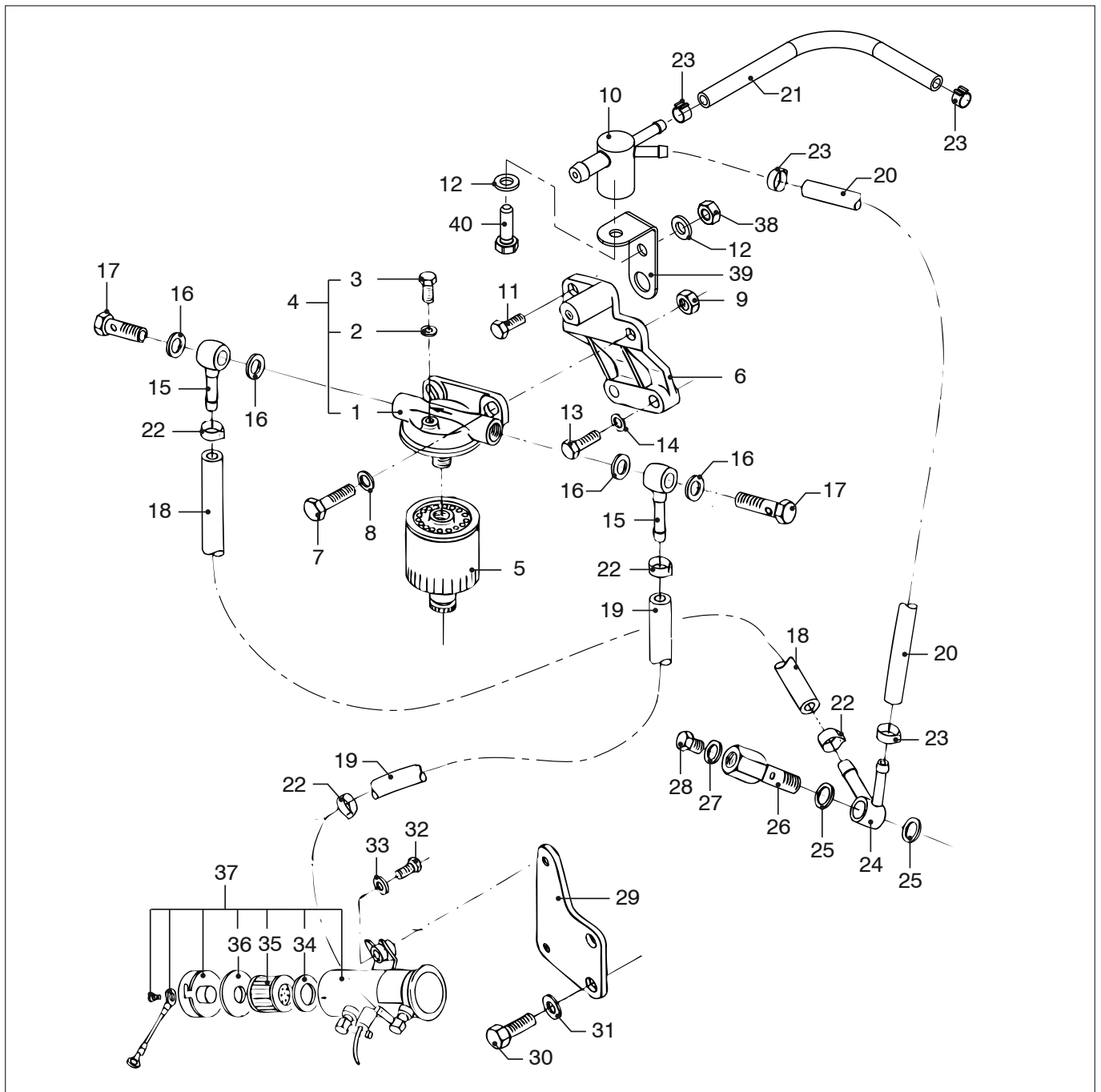


M4.55 M4.56

Verstuiverhouder

Nozzle holder

pos.	qty	part	benaming	description
1	1	STM7878	Verstuiverhouder cpl.	Nozzle holder cpl.
2	1	STM7879	Verstuiverhouder	Nozzle holder
3		STM7880	Ring 1.25	Washer 1.25
		STM7881	Ring 1.3	Washer 1.3
		STM7882	Ring 1.35	Washer 1.35
		STM7883	Ring 1.4	Washer 1.4
		STM7884	Ring 1.45	Washer 1.45
		STM7885	Ring 1.5	Washer 1.5
		STM7886	Ring 1.55	Washer 1.55
		STM7887	Ring 1.6	Washer 1.6
		STM7888	Ring 1.65	Washer 1.65
		STM7889	Ring 1.7	Washer 1.7
4	4	STM7890	Veer	Spring
5	4	STM7891	Pen	Pin
6	4	STM7892	Afstandstuk	Distance piece
7	4	STM7893	Verstuiver	Nozzle
8	4	STM7894	Moer	Nut

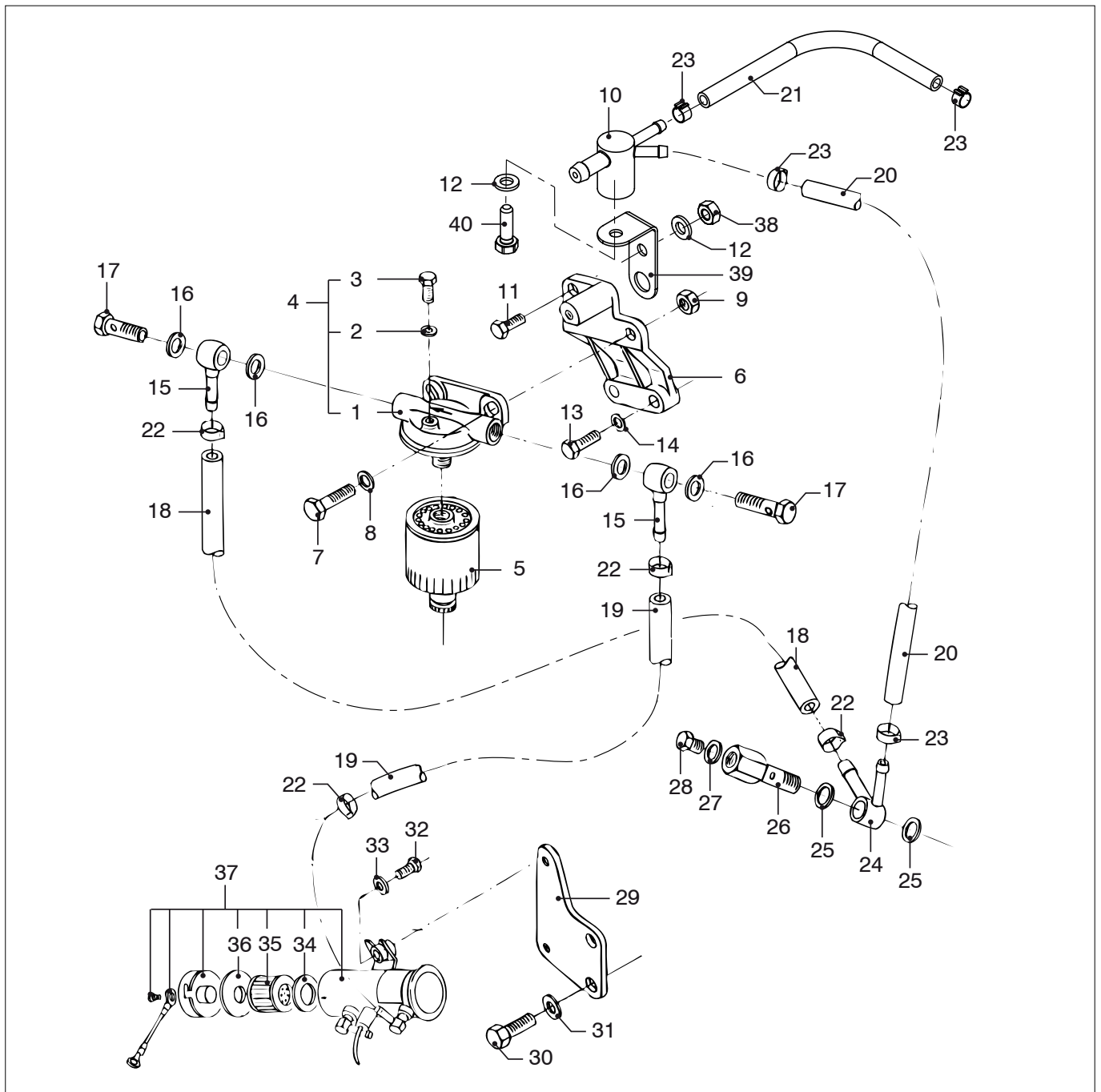


M4.55

Brandstoffilter

Fuel filter

pos.	qty	part	benaming	description
1	1	STM6050	Filterkop	Filter head
2	1	STM9724	Afdichtring	Seal washer
3	1	STM3796	Bout M8x1,25x10	Bolt M8x1.25x10
4	1	STM6049	Filterkop compleet (1+2+3)	Filter head cpl. (1+2+3)
5	1	STM3690	Brandstoffilter	Fuel filter
6	1	STM6115	Steun	Support
7	2	STM4013	Bout M10x1,5x30	Bolt M10x1.5x30
8	2	STM4061	Gegolfde veerring M10	Wave spring washer M10
9	2	STM4018	Moer M10	Nut M10
10	1	STM6180	Nippel	Nipple
11	1	STM1030	Bout M6x20	Bolt M6x20
12	2	STM1025	Gegolfde veerring M6	Wave spring washer M6
13	2	STM7059	Bout M8x1,25x30	Bolt M8x1.25x30
14	2	STM1019	Gegolfde veerring M8	Wave spring washer M8

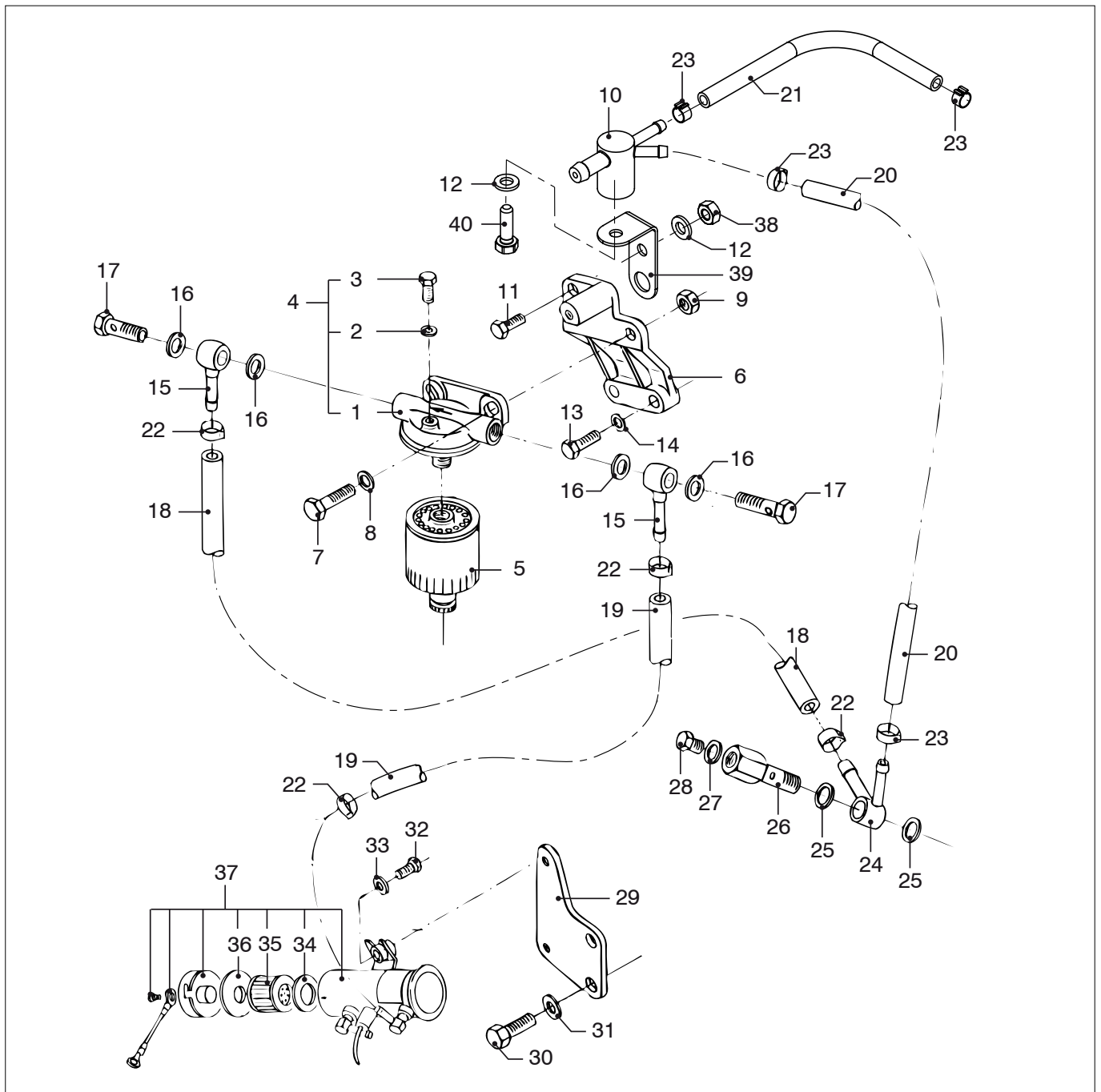


M4.55

Brandstoffilter

Fuel filter

pos.	qty	part	benaming	description
15	2	STM9262	Banjo-oog	Banjo eye
16	4	STM7056	Afdichtring	Sael washer
17	2	STM8057	Banjo-bout M12x1	Banjo bolt M12x1
18	1	STM6581	Brandstofslang ø 8 440mm	Fuel hose ø 8 440mm
19	1	STM6581	Brandstofslang ø 8 440mm	Fuel hose ø 8 440mm
20	1	STM7598	Brandstofslang ø 5 450mm	Fuel hose ø 5 450mm
21	1	STM7599	Brandstofslang ø 5 110mm	Fuel hose ø 5 110mm
22	4	STM6185	Klem	Clamp
23	4	STM6186	Klem	Clamp
24	1	STM7877	Banjo-oog	Banjo bolt
25	2	STM7876	Afdichtring	Seal washer
26	1	STM7988	Banjo-oog	Banjo eye
27	1	STM7989	Afdichtring	Seal washer
28	1	STM7990	Bout	Bolt

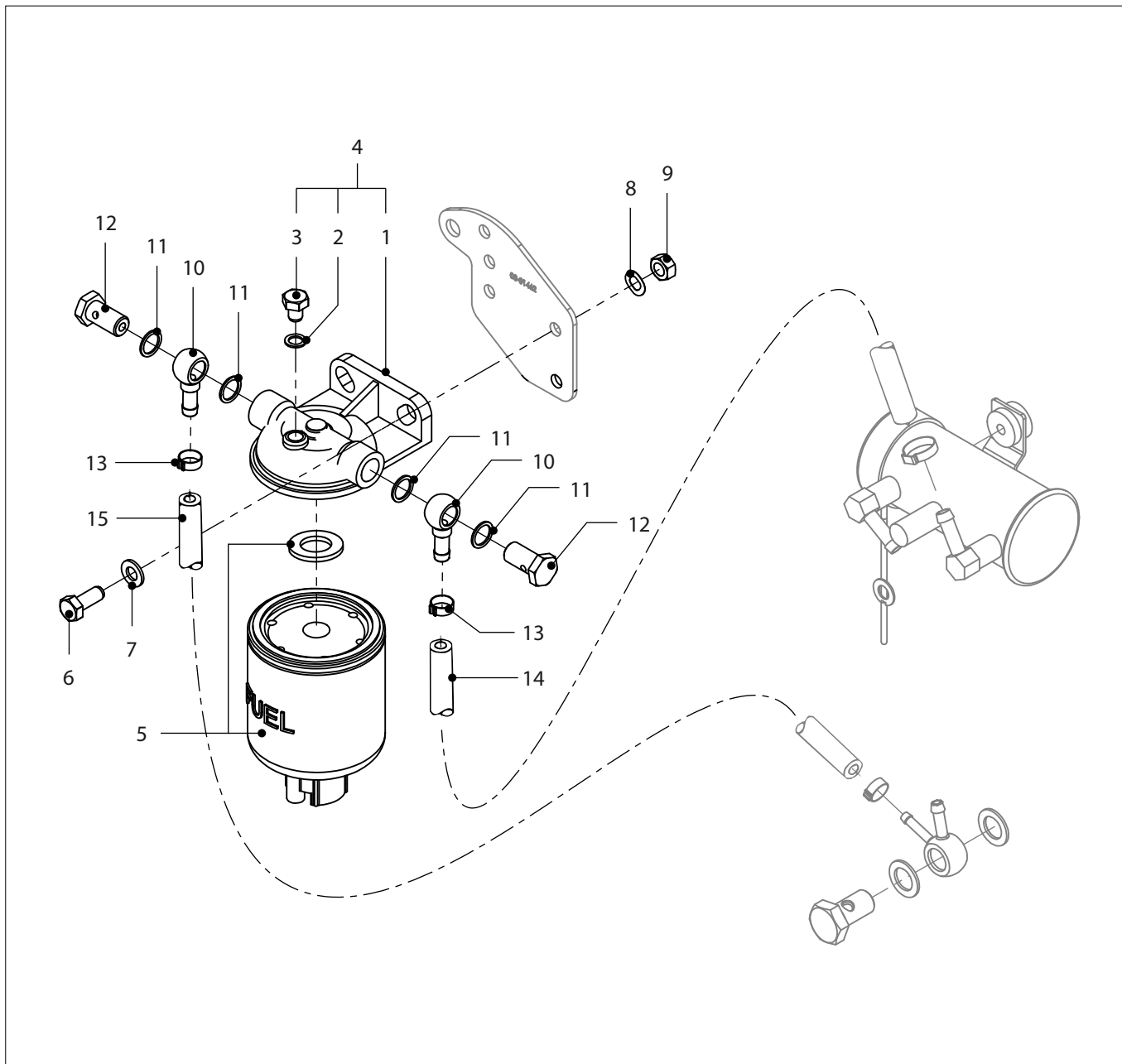


M4.55

Brandstoffilter

Fuel filter

pos.	qty	part	benaming	description
29	1	STM7572	Steun	Support
30	2	STM3817	Bout M12x1,25x25	Bolt M12x1.25x25
31	2	STM4003	Veerring M12	Spring washer M12
32	2	STM1030	Bout M6x20	Bolt M6x20
33	2	CT40029	Veerring M6	Spring washer M6
34	1	STM4037	Pakking	Gasket
35	1	STM4050	Filter	Filter
36	1	STM4038	Pakking	Gasket
37	1	STM4049	Electrische brandstofopvoerpomp	Electrical fuel lift pump
38	1	STM3260	Moer M6	Nut M6
39	1	STM7447	Steun	Support
40	1	STM1024	Bout M6x16	Bolt M6x16

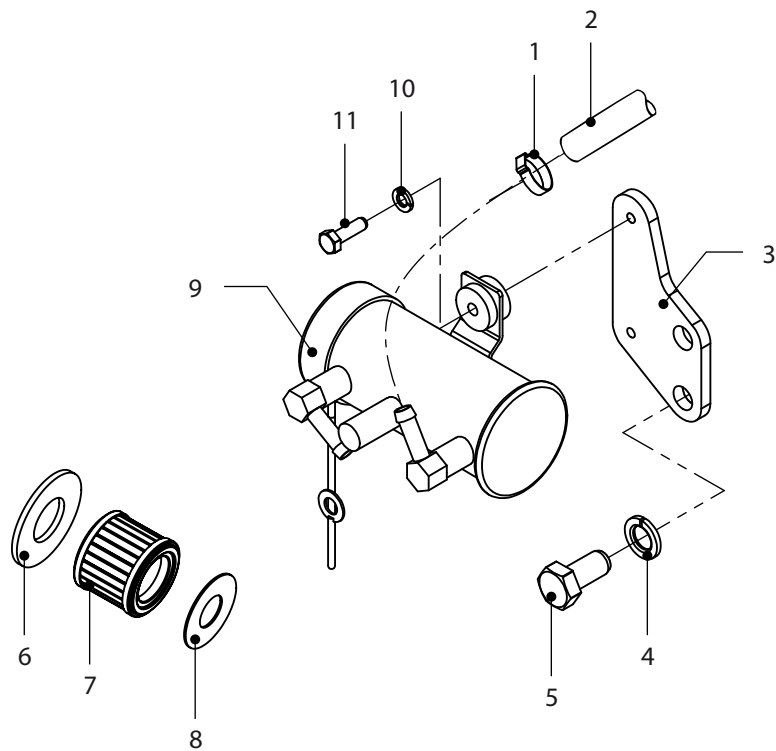


M4.56

Brandstoffilter

Fuel filter

pos.	qty	part	benaming	description
1	1	STM6050	Filterkop	Filter head
2	1	STM9724	Afdichtring	Seal washer
3	1	STM3796	Bout M8x1,25x10	Bolt M8x1,25x10
4	1	STM6049	Filterkop compleet	Filter head cpl.
5	1	STM3690	Brandstoffilter	Fuel filter
6	2	STM3355	Bout M8x20	Bolt M8x20
7	2	STM1653	Ring	Washer
8	2	STM1019	Gegolfde veerring M8	Wave spring washer M8
9	2	STM2005	Moer M8	Nut M8
10	2	STM9262	Banjo-oog	Banjo eye
11	4	STM7056	Afdichtring M12	Seal washer M12
12	2	STM8057	Banjo bout M12x1	Banjo bolt M12x1
13	2	STM6185	Klem	Clamp
14	1	08-01482	Slang L=365mm	Hose L=365mm
15	1	STM6581	Slang L=440mm	Hose L=440mm

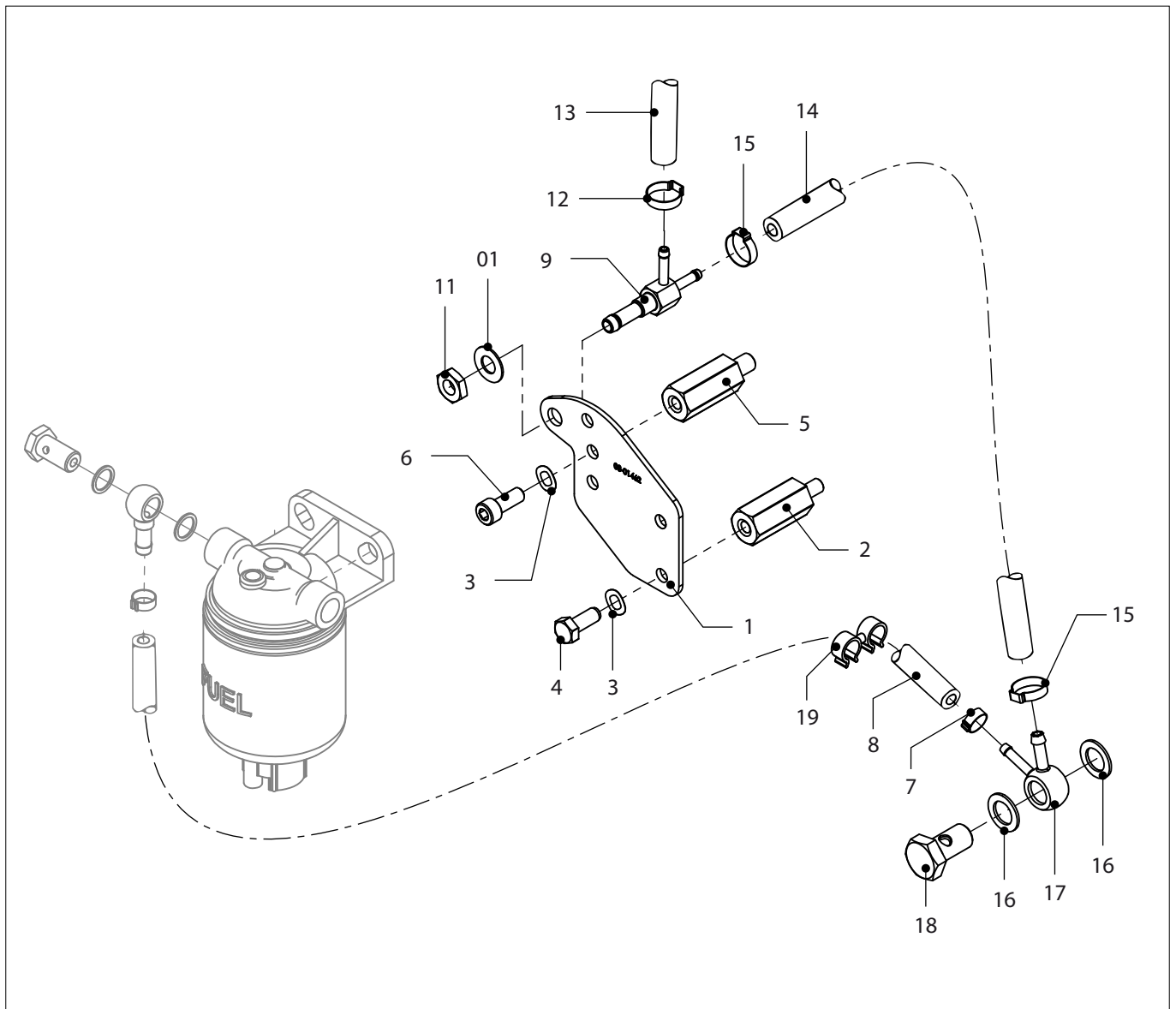


M4.56

Brandstofopvoerpomp

Fuel lift pump

pos.	qty	part	benaming	description
1	2	STM6185	Klem	Clamp
2	1	08-01482	Slang L=365mm	Hose L=365mm
3	1	STM7572	Steun	Support
4	2	STM4003	Veerring M12	Spring washer M12
5	2	STM3817	Bout M12x1,25x25	Bolt M12x1,25x25
6	1	STM4038	Pakking	Gasket
7	1	STM4050	Filter	Filter
8	1	STM4037	Pakking	Gasket
9	1	STM4049	Electrische brandstofopvoerpomp	Electric fuel lift pump
10	2	CT40029	Veerring M6	Spring washer M6
11	2	STM1030	Bout M6x1x20	Bolt M6x1x20

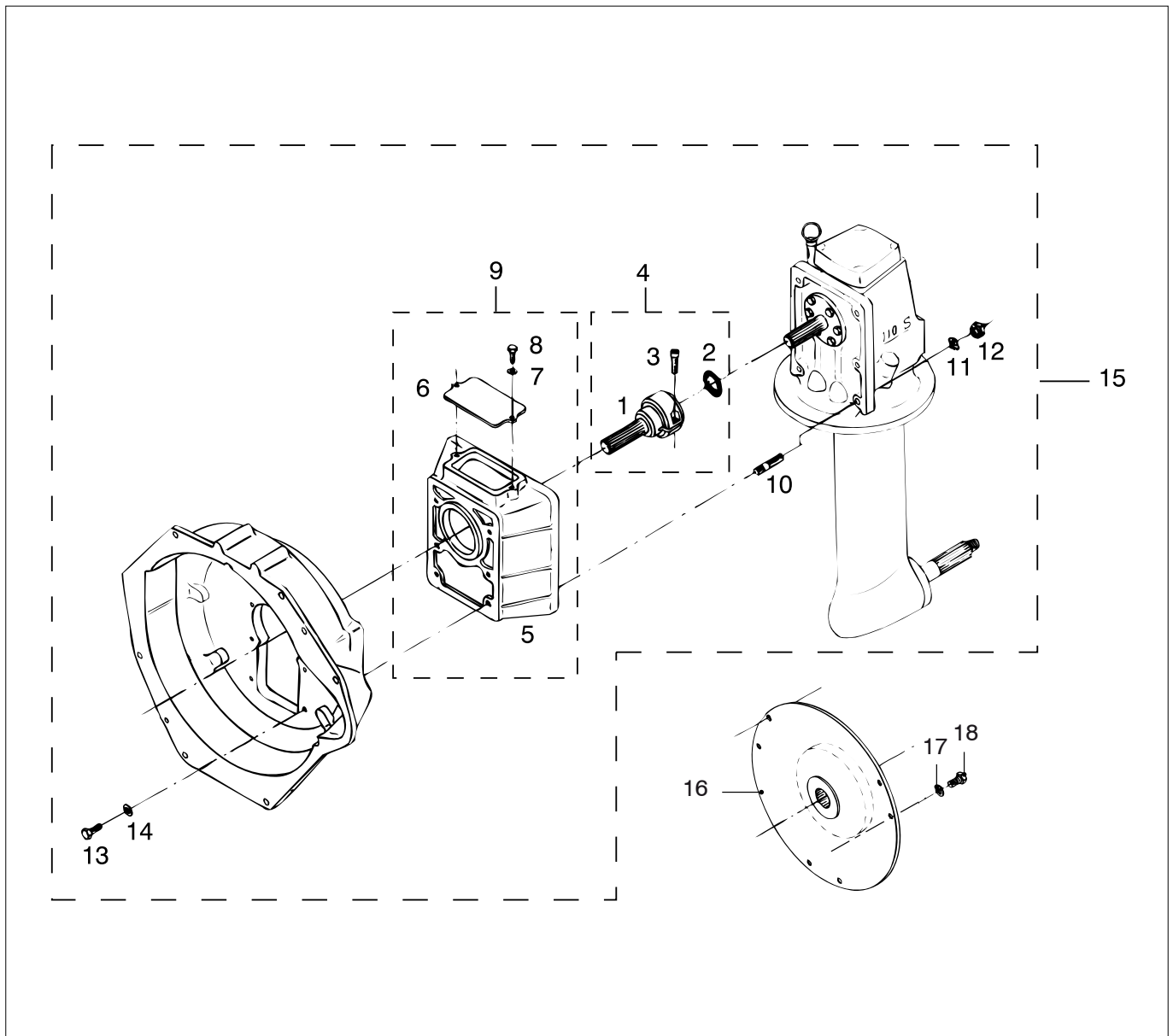


M4.56

Brandstoftoevoer en retour

Fuel supply and return

pos.	qty	part	benaming	description
1	1	08-01462	Steun	Support
2	1	08-01464	Afstandhouder	Stud
3	2	STM1019	Gegolfde veerring M8	Wave spring washer M8
4	1	STM3355	Bout M8x20	Bolt M8x20
5	1	08-01467	Afstandhouder	Stud
6	1	STM3742	Inbusbout M8x20	Allen screw M8x20
7	2	STM6185	Klem	Clamp
8	1	STM6581	Slang L=440mm	Hose L=440mm
9	1	08-01302	Brandstof retour nippel 8mm	Fuel return nipple 8mm
10	1	STM2022	Gegolfde veerring M10	Wave spring washer M10
11	1	08-01289	Lage moer M10x1	Thin nut M10x1
12	2	STM6186	Klem	Clamp
13	1	STM7599	Slang L=110mm	Hose L=110mm
14	1	08-01483	Slang L=460mm	Hose L=460mm
15	2	STM6168	Klem	Clamp
16	2	STM7876	Afdichtring	Seal washer
17	1	STM7877	Banjo-oog	Banjo eye
18	1	STM7988	Banjo-bout	Banjo bolt
19	1	VD60090	Klem	Clamp

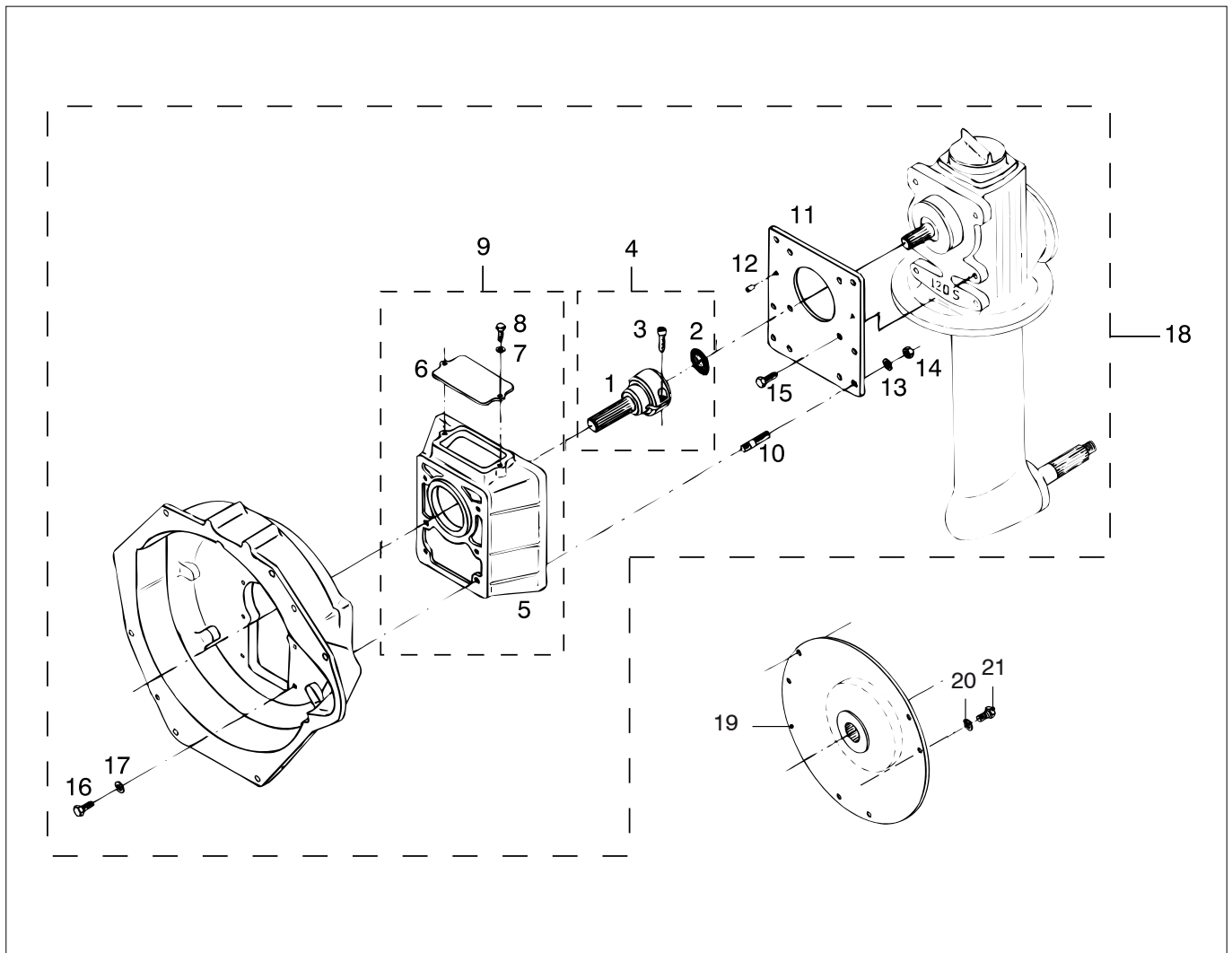


M4.55 M4.56

Verloopset saildrive 110S

Adaptor kit saildrive 110S

pos.	qty	part	benaming	description
1	1	STM7605	Koppeling	Coupling
2	1	STM7607	O-ring	O-ring
3	2	STM8332	Inbusbout M8x30	Allen screw M8x30
4	1	STM7611	Koppeling compleet (1+2+3)	Coupling cpl.(1+2+3)
5	1	STM7601	Adapterhuis	Adaptor case
6	1	STM7603	Deksel	Cover
7	2	STM1025	Gegolfde veerring M6	Wave spring washer M6
8	2	STM1024	Bout M6x15	Bolt M6x15
9	1	STM7612	Adapterhuis cpl. (5+6+7+8)	Adaptor case cpl. (5+6+7+8)
10	6	STM7615	Tapeind M10x45	Stud M10x45
11	6	STM2022	Gegolfde veerring M10	Vave spring washer M10
12	6	STM4018	Moer M10	Nut M10
13	6	STM1651	Bout M8x35	Bolt M8x35
14	6	STM1019	Gegolfde veerring M8	Wave spring washer M8
15	1	STM7614	Aanbouwset cpl.	Adaptor kit cpl.
16	1	STM4104	Demperplaat DIN splines Z=10	Damper plate DIN splines Z=10
17	6	STM1056	Veerring M8	Spring washer M8
18	6	STM4055	Bout M8x1,25x16	Bolt M8x1.25x16

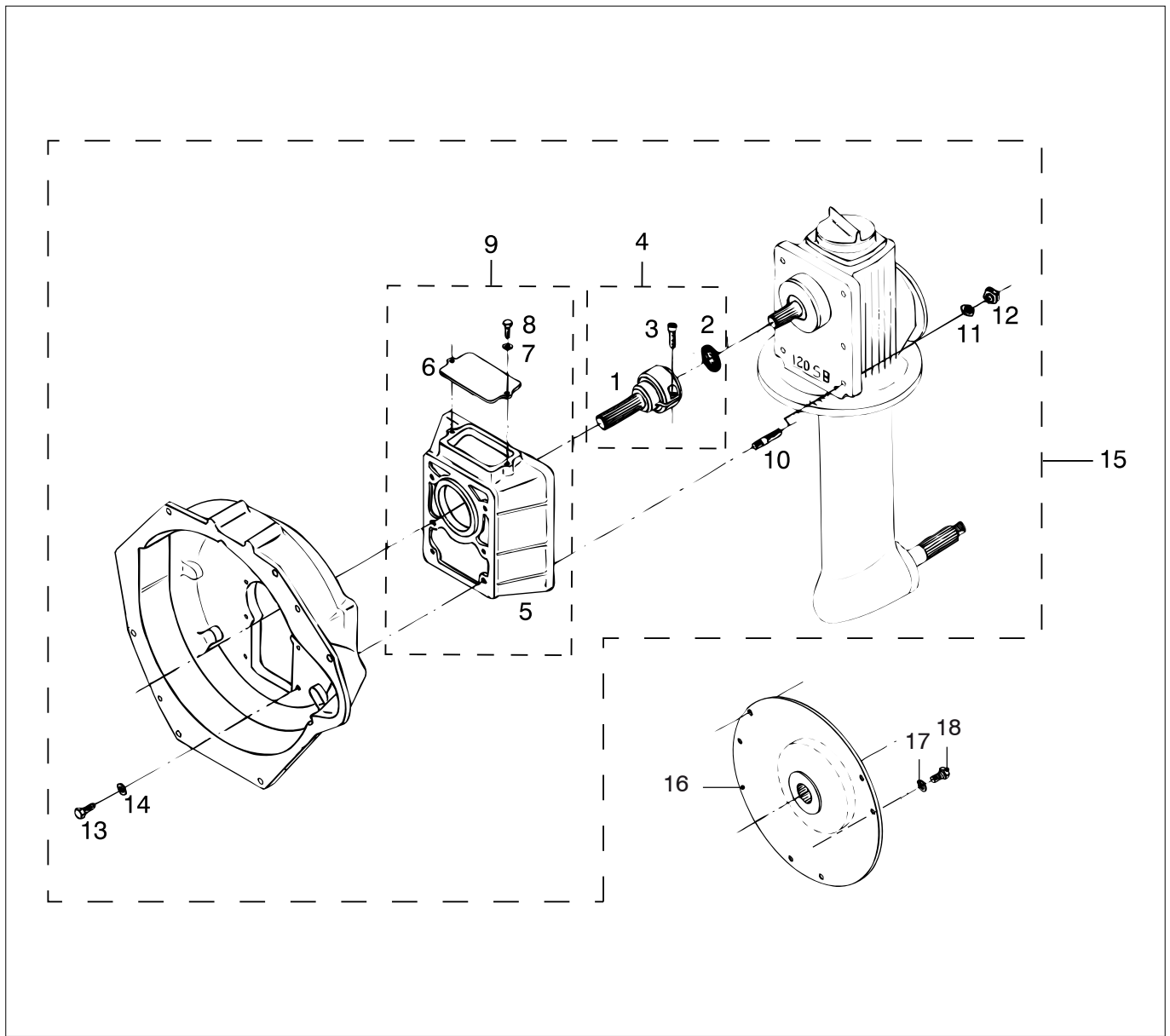


M4.55 M4.56

Verloopset saildrive 120S

Adaptor kit saildrive 120S

pos.	qty	part	benaming	description
1	1	STM7606	Koppeling	Coupling
2	1	STM7608	O-ring	O-ring
3	2	STM8332	Inbusbout M8x30	Allen screw M8x30
4	1	STM7616	Koppeling compleet (1+2+3)	Coupling cpl. (1+2+3)
5	1	STM7601	Adapterhuis	Adaptor case
6	1	STM7603	Deksel	Cover
7	2	STM1025	Gegolfde veerring M6	Wave spring washer M6
8	2	STM1024	Bout M6x15	Bolt M6x15
9	1	STM7612	Adapterhuis cpl. (5+6+7+8)	Adaptor case cpl. (5+6+7+8)
10	6	STM7620	Tapeind M10x20	Stud M10x20
11	1	STM7604	Adapterflens	Adaptor flange
12	2	STM2507	Paspn ø8x12	Pin ø8x12
13	6	STM2022	Gegolfde veerring M10	Wave spring washer M10
14	6	STM4018	Moer M10	Nut M10
15	6	STM8391	Bout M10x25 (sw16)	Bolt M10x25
16	6	STM1651	Bout M8x35	Bolt M8x35
17	6	STM1019	Gegolfde veerring M8	Wave spring washer M8
18	1	STM7621	Aanbouwset cpl.	Adator kit cpl.
19	1	STM4104	Demperplaat DIN splines Z=10	Damper plate DIN splines Z=10
20	6	STM1056	Veerring M8	Spring washer M8
21	6	STM4055	Bout M8x1,25x16	Bolt M8x1.25x16

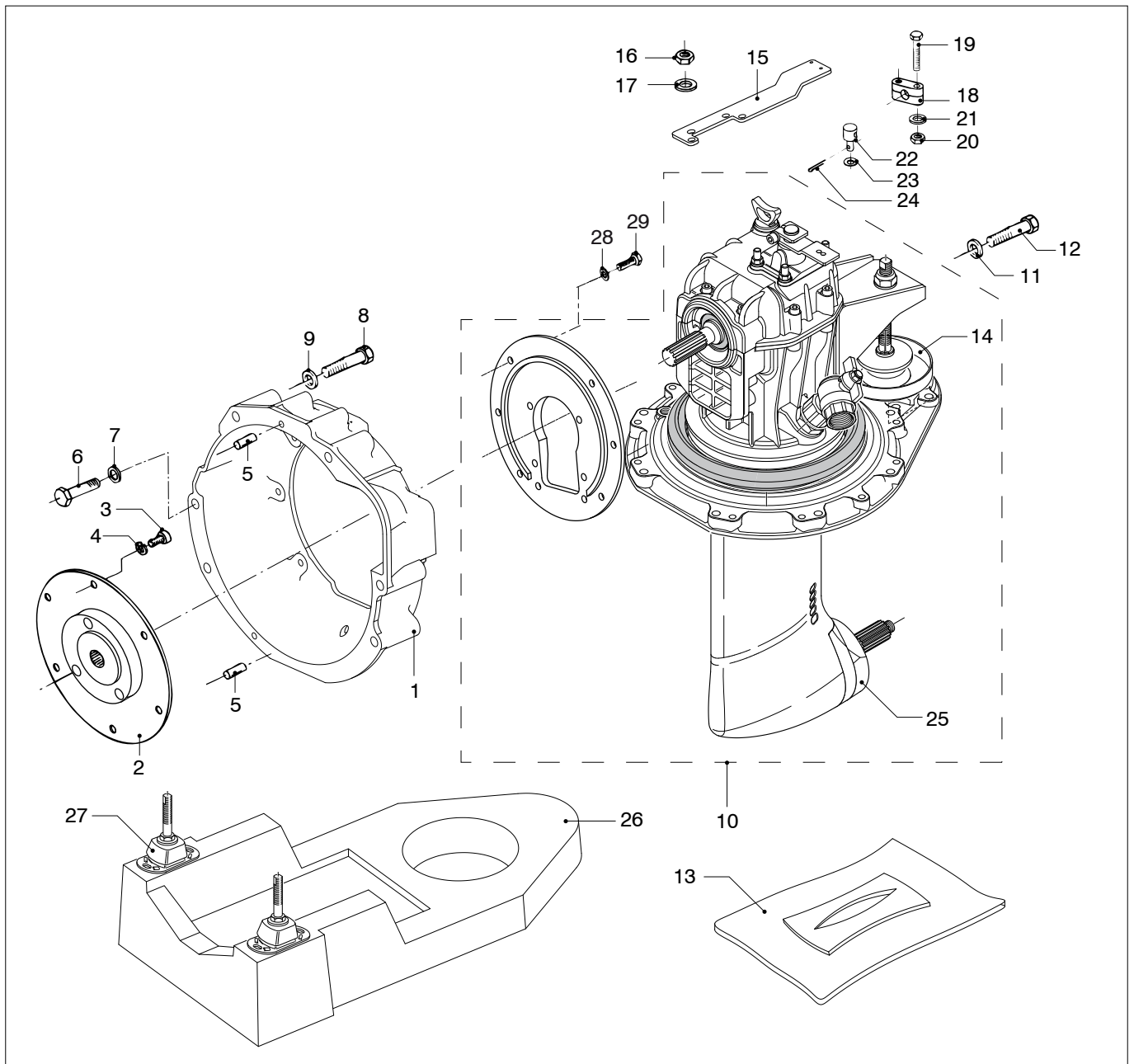


M4.55 M4.56

Verloopset saildrive 120SB

Adaptor kit saildrive 120SB

pos.	qty	part	benaming	description
1	1	STM7606	Koppeling	Coupling
2	1	STM7608	O-ring	O-ring
3	2	STM8332	Inbusbout M8x30	Allen screw M8x30
4	1	STM7616	Koppeling compleet (1+2+3)	Coupling cpl. (1+2+3)
5	1	STM7602	Adapterhuis	Adaptor case
6	1	STM7603	Deksel	Cover
7	2	STM1025	Gegolfde veerring M6	Wave spring washer M6
8	2	STM1024	Bout M6x15	Bolt M6x15
9	1	STM7617	Adapterhuis cpl. (5+6+7+8)	Adaptor case cpl. (5+6+7+8)
10	6	STM7618	Tapeind M10x35	Stud M10x35
11	6	STM2022	Gegolfde veerring M10	Wave spring washer M10
12	6	STM4018	Moer M10	Nut M10
13	6	STM1651	Bout M8x35	Bolt M8x35
14	6	STM1019	Gegolfde veerring M8	Wave spring washer M8
15	1	STM7619	Aanbouwset cpl.	Adaptor kit cpl.
16	1	STM4104	Demperplaat DIN splines Z=10	Damper plate DIN splines Z=10
17	6	STM1056	Veerring M8	Spring washer M8
18	6	STM4055	Bout M8x1,25x16	Bolt M8x1.25x16

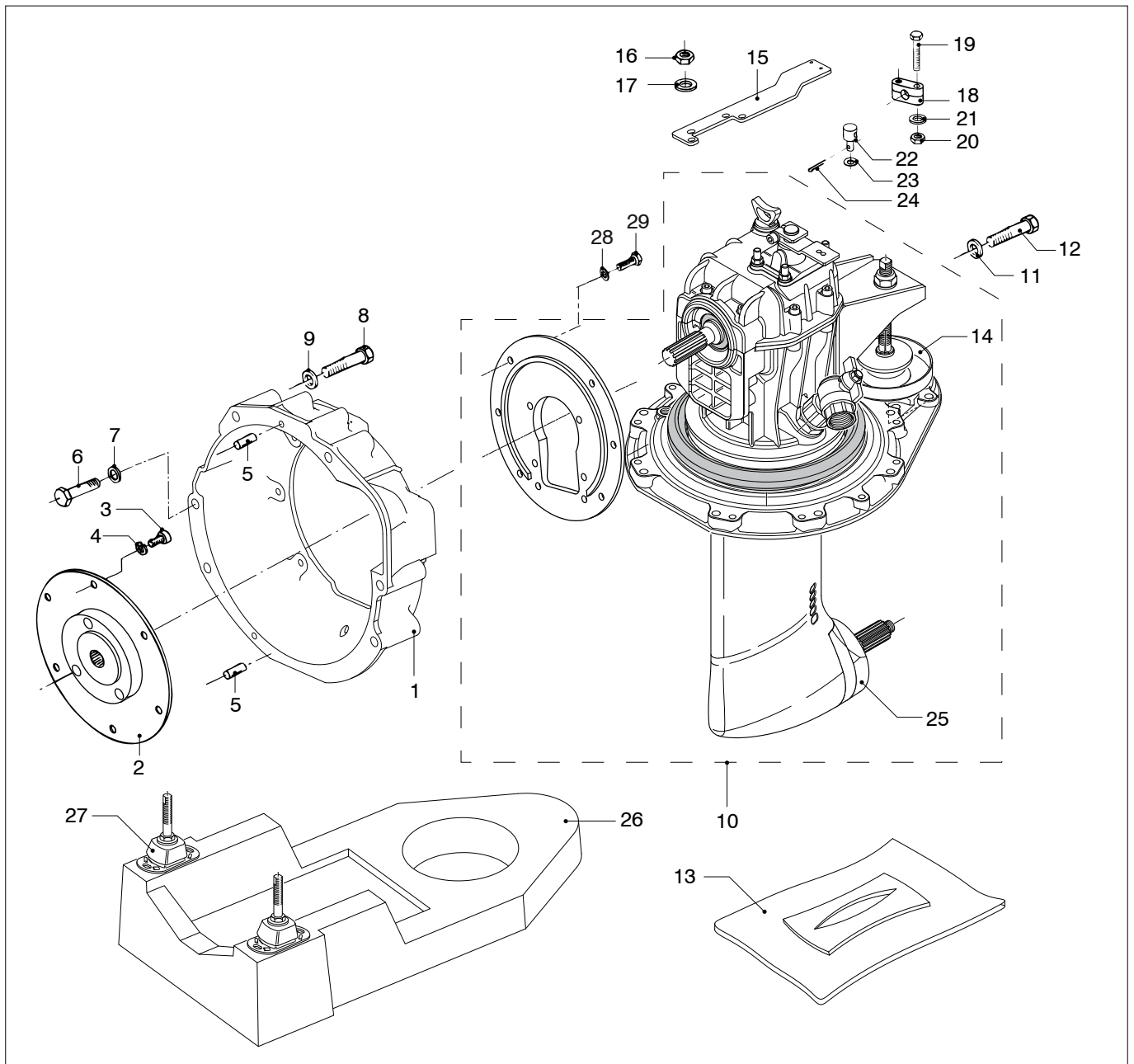


M4.55 M4.56

Saildrive ZF SD10

Saildrive ZF SD10

pos.	qty	part	benaming	description
1	1	STM7567	Vliegwielhuis SAE 7 ø 209,55	Flywheel housing SAE 7 ø 209,55
2	1	STM4104	Demperplaat DIN5464 Z=10	Damperplate DIN5464 Z=10
3	6	STM4055	Bout M8x1,25x16	Bolt M8x1.25x16
4	6	STM1056	Veerring M8	Spring washer M8
5	2	STM3813	Paspen 10x12 DIN7	Pin 10x12 DIN7
6	1	STM7053	Bout M12x1,25x30	Bolt M12x1.25x30
7	1	STM4003	Veerring M12	Spring washer M12
8	4	STM7053	Bout M12x1,25x30	Bolt M12x1.25x30
9	4	STM4056	Gegolfde veerring M12	Wave spring washer M12
10	1	STM5800	ZF saildrive SD10 2,23R	ZF saildrive SD10 2.23R
	1	STM5801	ZF saildrive SD10 2,49R	ZF saildrive SD10 2.49R
11	6	STM4061	Gegolfde veerring M10	Wave spring washer M10
12	6	STM5017	Bout 7/16"UNCx30	Bolt 7/16"UNCx30
13	1	STM9317	Rubber afdichting	Gummi seal
14	1	STM9318	Demper	Damper
15	1	STM1851	Steun	Support

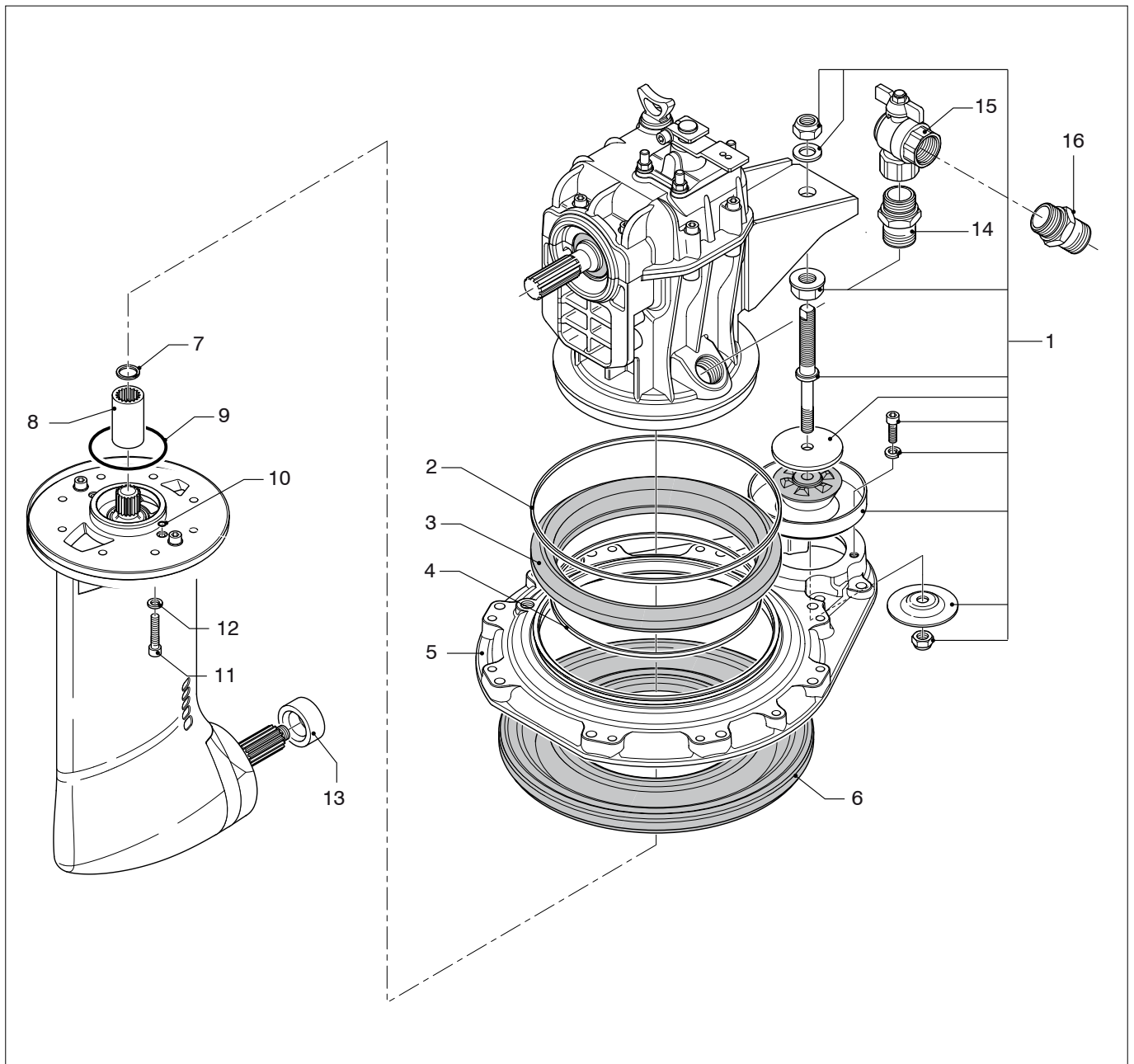


M4.55 M4.56

Saildrive ZF SD10

Saildrive ZF SD10

pos.	qty	part	benaming	description
16	2	STM2005	Moer M8	Nut M8
17	2	STM1056	Veerring M8	Spring washer M8
18	1	STM1703	Kabelklem	Cable clamp
19	2	STM1704	Bout M5x25	Bolt M5x25
20	2	STM1705	Moer M5	Nut M5
21	2	STM1707	Ring	Washer
22	1	STM1806	Nippel	Nipple
23	2	STM1807	Ring	Ring
24	1	STM1807	Splitpen 2x25	Split pin 2x25
25	1	STM9319	Zinkanode	Zinc anode
26	1	STM9320	Fundatie	Engine bed
27	2	KSTEUN100	Trillingdemper	Flexible engine mounting
28	6	STM4003	Gegolfde veerring M10	Wave spring washer M10
29	6	STM9003	Bout M10 x 1,5 x 25	Bolt M10 x 1.5 x 25

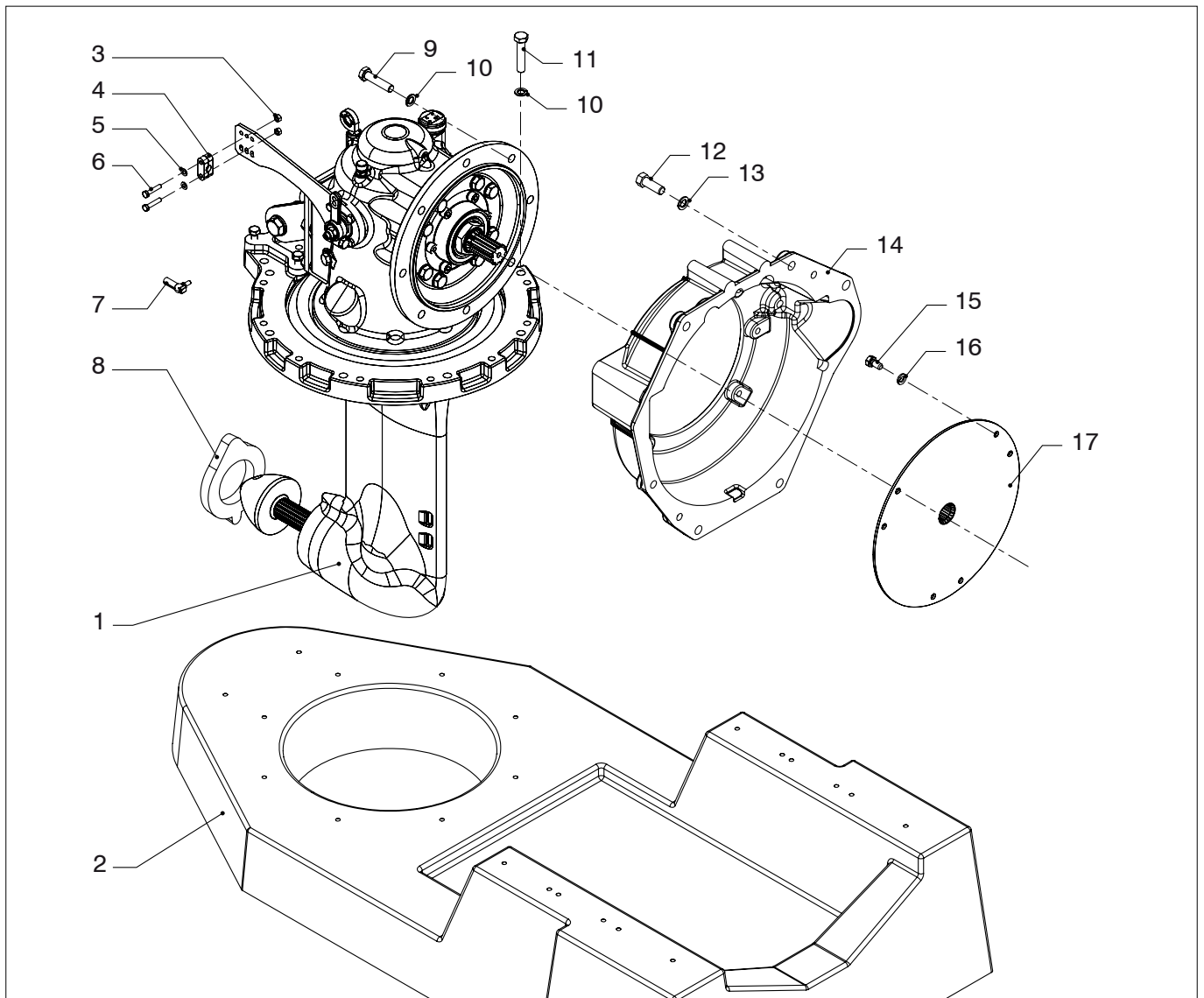


M4.55 M4.56

Saildrive ZF SD10

Saildrive ZF SD10

pos.	qty	part	benaming	description
1	1	STM9318	Demper	Demper
2	1	STM9322	Borg ring	Snap ring
3	1	STM9323	Pakking	Gasket
4	1	STM9324	Borg ring	Snap ring
5	1	STM9325	Bevestigingsplaat	Clamping ring
6	1	STM9326	Pakking	Gasket
7	1	STM9327	Geleidering	Retainer ring
8	1	STM9328	Bus	Sleeve
9	1	STM9329	O-ring	O-ring
10	1	STM9330	O-ring	O-ring
11	1	STM9333	Inbusbout M8x40	Screw T.C.E.I. M8x40
12	1	STM9334	Ring	Washer
13	1	STM9335	Bus	Spacer
14	1	STM9336	Nipple G1-G1	Nipple G1-G1
15	1	STM9337	Afsluiter recht G1	Stop-valve G1
16	1	STM9338	Slangpilaar G1-19	Hose pillar G1-19

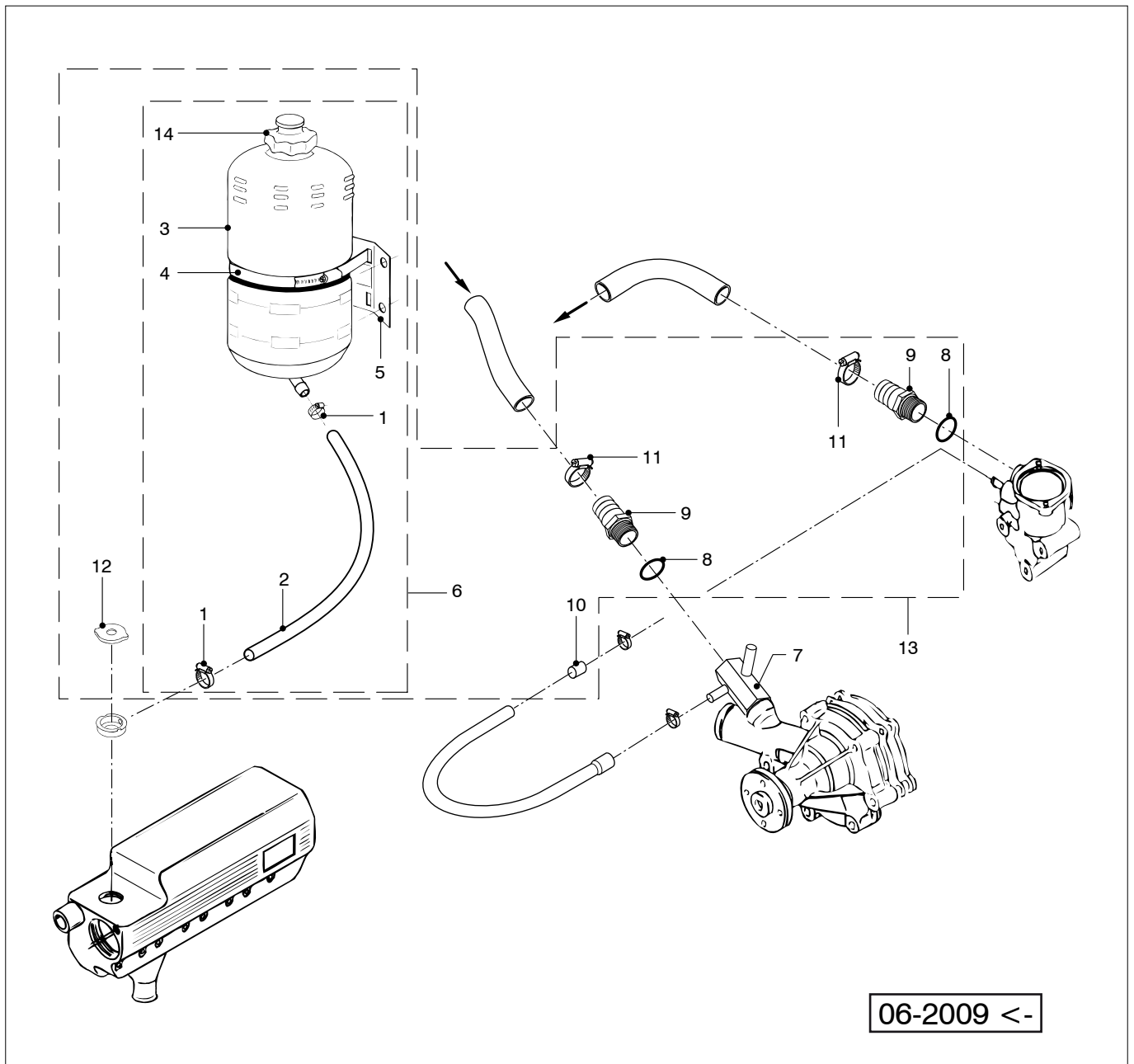


M4.55 M4.56

Saildrive SP60

Saildrive SP60

pos.	qty	part	benaming	description
1	1	STM6000	Saildrive 2.23	Saildrive 2.23
	1	STM6001	Saildrive 2.49	Saildrive 2.49
2	1	STM9320	Fundatie	Engine bed
3	2	STM1705	Moer M5	Nut M5
4	1	STM1703	Kabelklem	Cable clamp
5	2	STM1707	Ring	Washer
6	2	STM1704	Bout M5x25	Bolt M5x25
7	1	KOGELGEWR	Kogelgewricht	Ball joint
8	1	STM6032	Zinkanode	Zinc anode
9	7	CT20078	Bout M10 x 1,5 x 45	Bolt M10 x 1.5 x 45
10	15	STM4003	Gegolfde veerring M10	Wave spring washer M10
11	8	STM6560	Bout M10 x 1,5 x 50	Bolt M10 x 1.5 x 50
12	4	STM7053	Bout M12x1,25x30	Bolt M12x1.25x30
13	4	STM4056	Gegolfde veerring M12	Wave spring washer M12
14	1	STM7567	Vliegwielhuis SAE 7 ø 209,55	Flywheel housing SAE 7 ø 209,55
15	6	STM4055	Bout M8x1.25x16	Bolt M8x1.25x17
16	6	STM1056	Veerring M8	Spring washer M8
17	1	STM6005	Demperplaat M4	Damperplate M4
	1	STM6006	Demperplaat M2 & M3	Damperplate M2 & M3

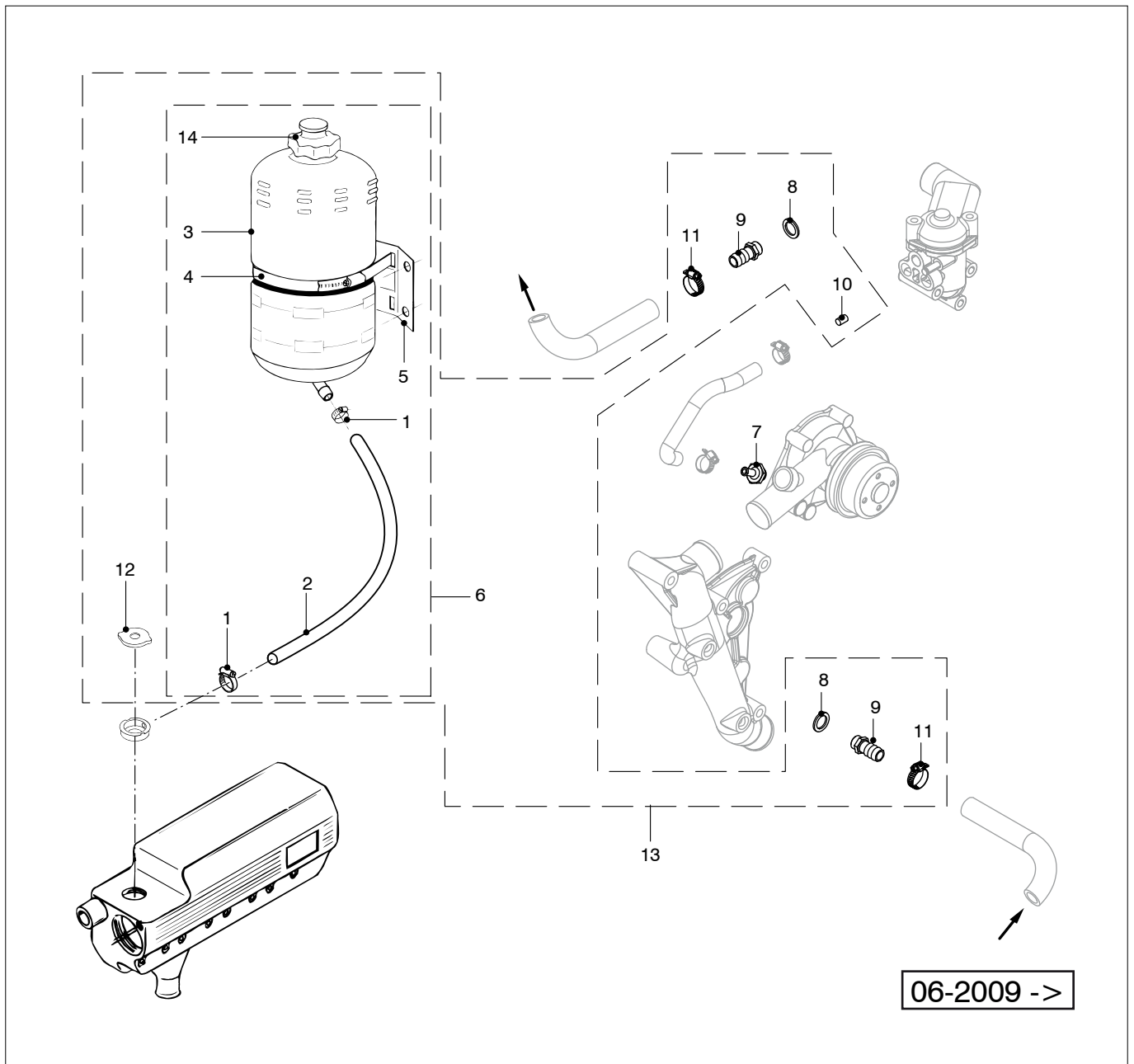


M4.55

Boileraansluiting, interkoeling, 06-2009 <-

Calorifier connection, intercooling, 06-2009 <-

pos.	qty	part	benaming	description
1	2	STM9505	Klem	Clamp
2	1	STM9504	Slang	Hose
3	1	STM9501	Expansie tank	Headertank
4	1	STM9503	Slangklem 140-180	Hose clamp 140-180
5	1	STM9502	Bevestigingsbeugel	Support
6	1	STM9500	Expansietank compleet (1 t/m 5+14)	Headertank compl. (1 till 5+14)
7	1	STM7845	Nippel	Nipple
8	2	08-00136	Afdichtring	Seal washer
9	2	STM3736	Slangpilaar G3/8 - 16	Hose pillar G3/8 - 16
10	1	STM2507	Prop ø 8	Plug ø 8
11	2	STM2012	Slangklem 19-28	Hose clamp 19-28
12	1	STM9507	Vuldop (Do not open)	Filler cap (Do not open)
13	1	STM7683	Boilerset (motor gedeelte)	Calorifier set (engine part)
14	1	08-01141	Drukdop	Pressure cap

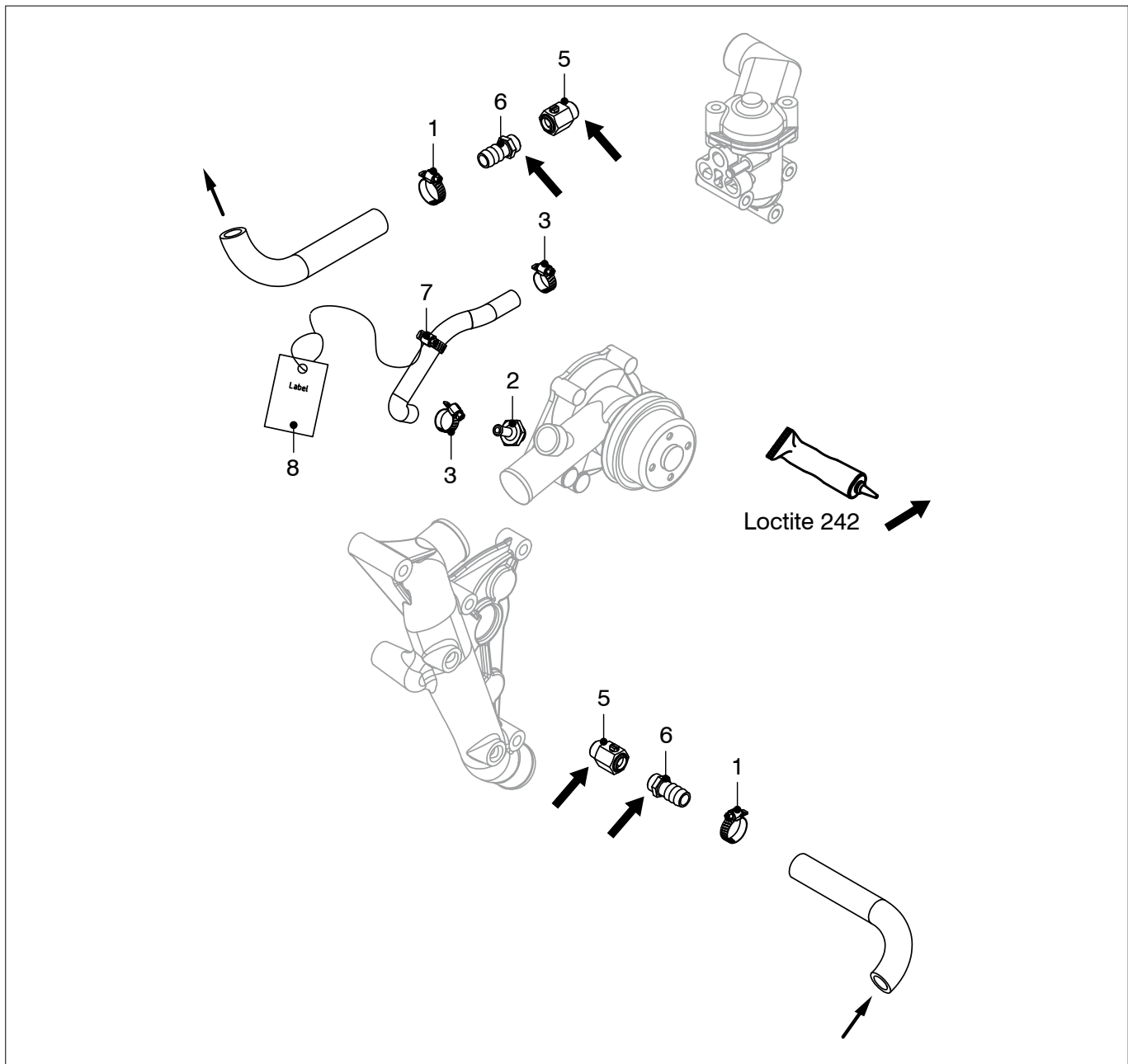


M4.55 M4.56

Boileraansluiting, interkoeling, 06-2009 ->

Calorifier connection, intercooling, 06-2009->

pos.	qty	part	benaming	description
1	2	STM9505	Klem	Clamp
2	1	STM9504	Slang	Hose
3	1	STM9501	Expansie tank	Headertank
4	1	STM9503	Slangklem 140-180	Hose clamp 140-180
5	1	STM9502	Bevestigingsbeugel	Support
6	1	STM9500	Expansietank compleet (1 t/m 5+14)	Headertank compl. (1 till 5+14)
7	1	STM9441	Slangpilaar	Hose pillar
8	2	08-00136	Afdichtring	Seal washer
9	2	STM3736	Slangpilaar G3/8 - 16	Hose pillar G3/8 - 16
10	1	STM2507	Prop ø 8	Plug ø 8
11	2	STM2012	Slangklem 19-28	Hose clamp 19-28
12	1	STM9507	Vuldop (Do not open)	Filler cap (Do not open)
13	1	STM7683	Boilerset (motor gedeelte)	Calorifier set (engine part)
14	1	08-01141	Drukdop	Pressure cap

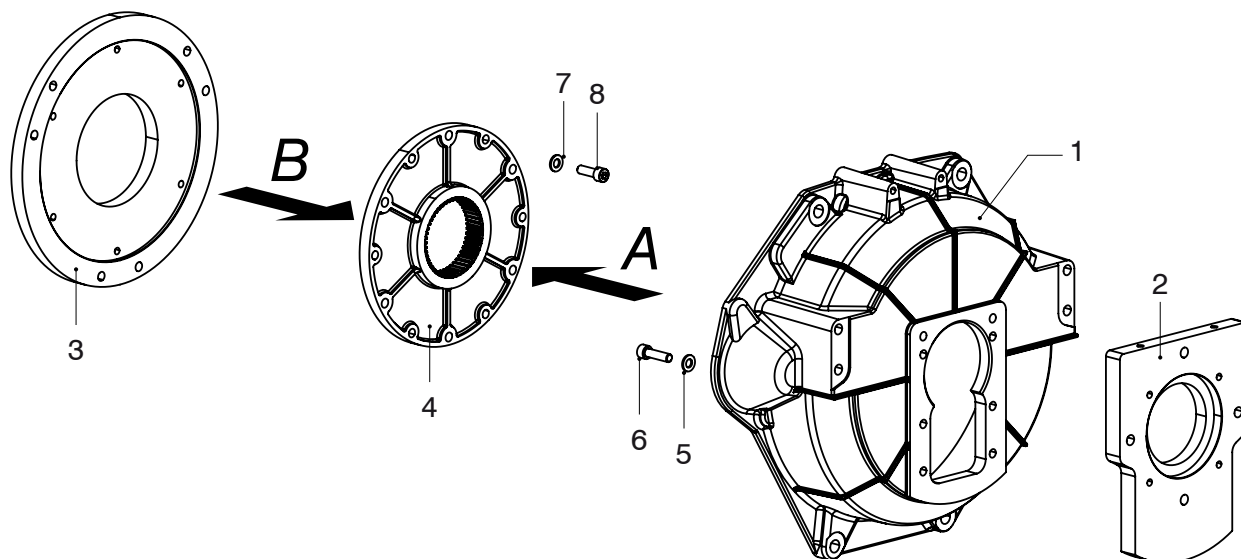
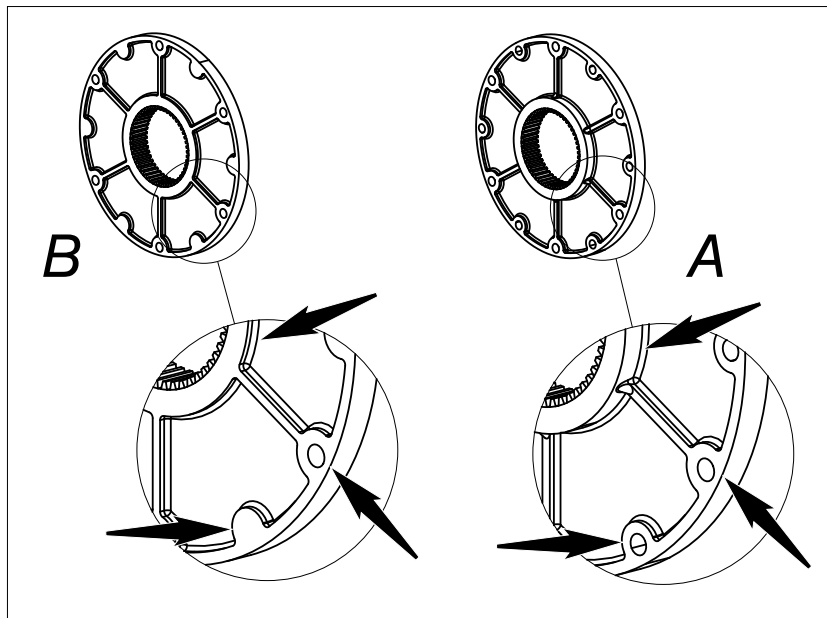


M4.55 M4.56

Boileraansluiting, kielkoeling

Calorifier connection, keelcooling

pos.	qty	part	benaming	description
1	2	STM2012	Slangklem 19-28	Hose clamp 19-28
2	1	STM9441	Nippel	Nipple
3	2	STM9505	Slangklem 11-17	Hose clamp 11 - 17
4	1	STM9440	Slang	Hose
5	2	STM9443	Mini kogelkraan G 3/8 - G 3/8	Mini ball valve R 3/8 - R 3/8
6	2	STM3736	Slangpilaar G3/8 - 16	Hose pillar G3/8 - 16
7	1	STM9444	Slangklem 8-16	Hose clamp 8-16
8	1	STM9446	Label 'Boiler'	Label 'Calorifier'

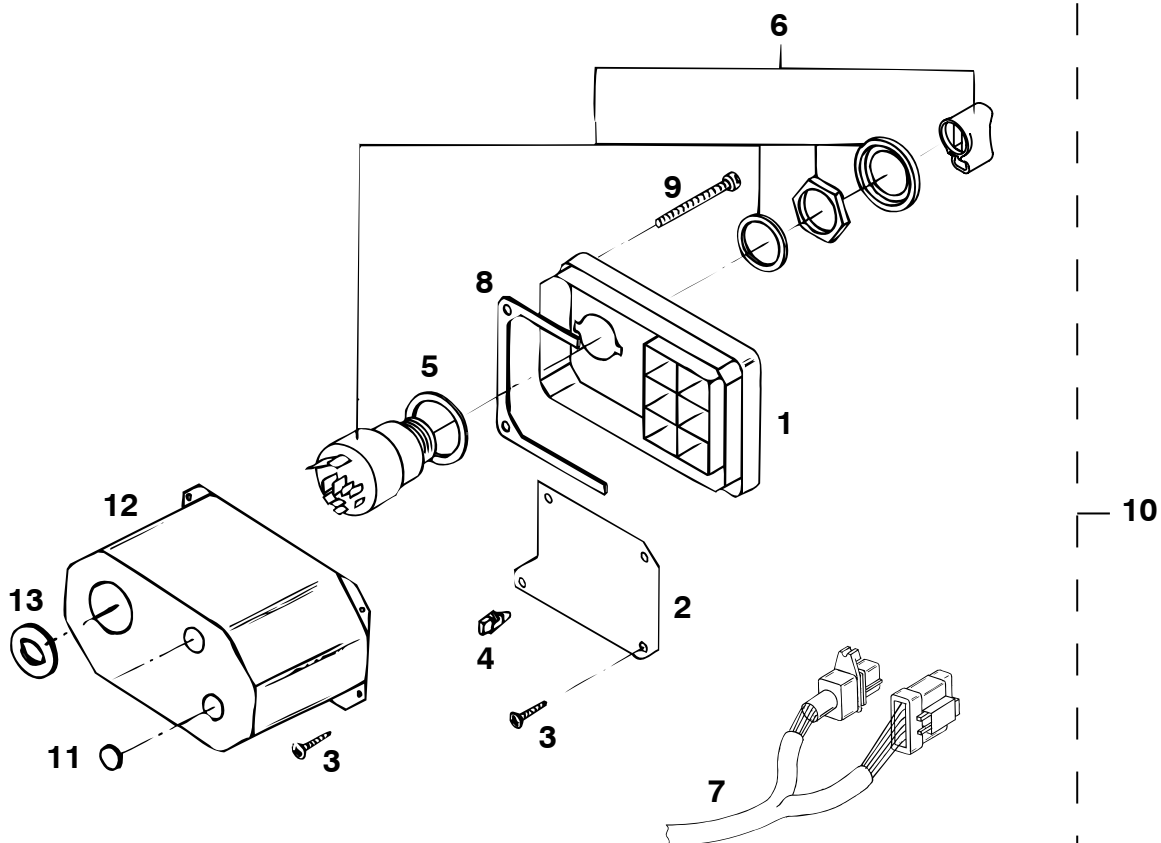


M4.55 M4.56

Aanbouwdelen hydraulische aandrijving

Adapter parts for hydraulic propulsion

pos.	qty	part	benaming	description
1	1	STM7566	Vliegwielhuis ø 85	Flywheel housing ø 85
2	1	STM9458	Flens t.b.v. hydraulische voortstuwing	Flange for hydraulic propulsion
3	1	HT5151	Vliegwielverzwaring	Flywheel ring
4	1	HT5148	Flens	Flange
5	4	STM1056	Veerring M8	Spring washer M8
6	4	STM8332	Inbusbout M8 x 30	Allen screw M8 x 30
7	6	STM1056	Veerring M8	Spring washer M8
8	6	STM4525	Inbusbout met lage kop M8 x 25	Allen screw M8 x 25

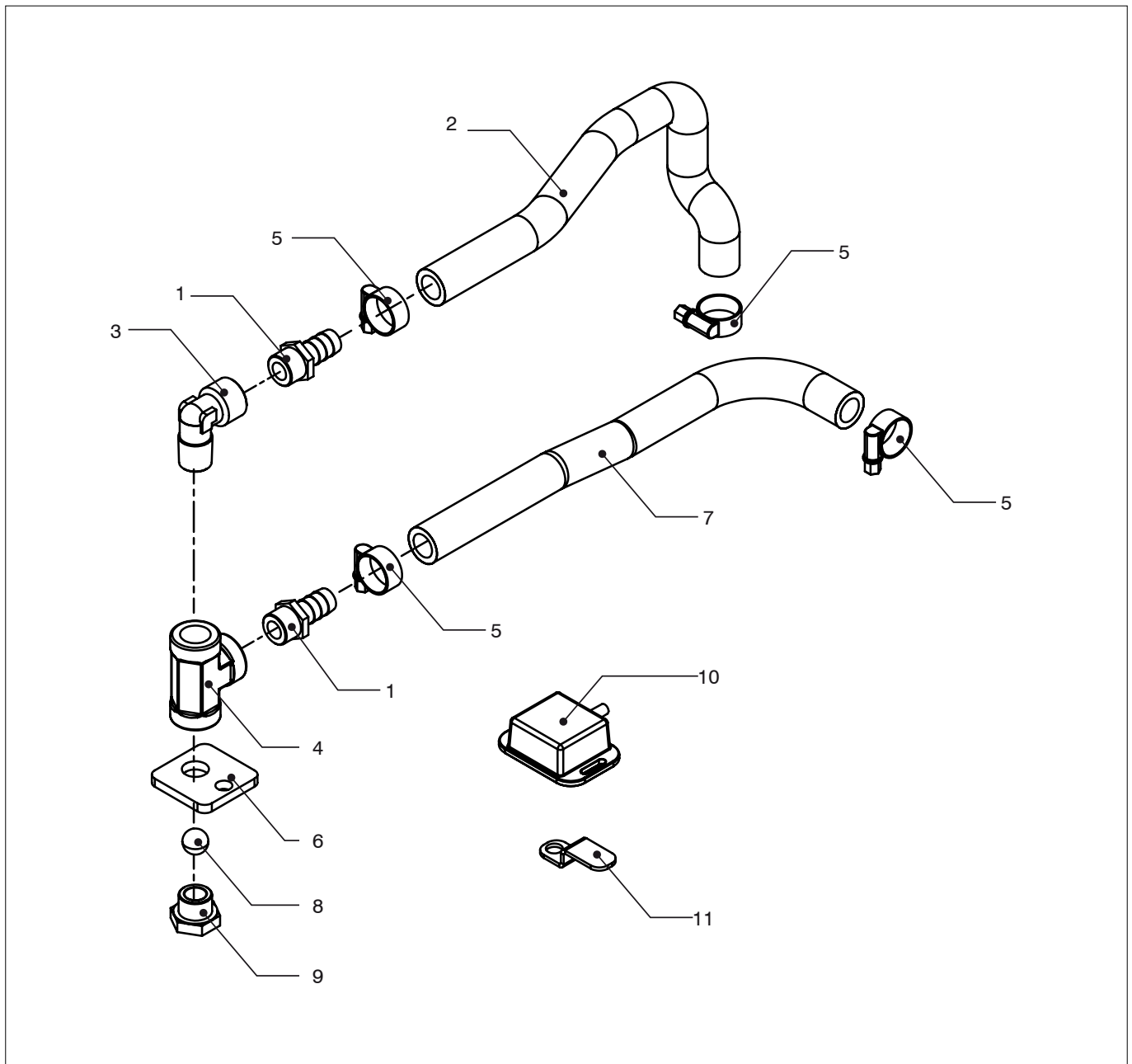


M4.55 SOLAS

Instrumenten paneel MP10

Instrument panel MP10

pos.	qty	part	benaming	description
1	1	STM9065	Paneel	Panel
2	1	STM9066	Print cpl	Print cpl
3	8	P2295RKP	Plaatschroef	Screw
4	6	STM9169	Gloeilamp	Bulb
5	1	STM9172	Pakking	Gasket
6	1	08-01145	Startslot	Starter switch
7	1	STM6920	Paneelbedrading	Panel wiring
8	1	STM9068	Pakking	Gasket
9	4	P35254ZKP	Plaatschroef	Screw
10	1	08-01146	Instr.paneel cpl.	Instr.panel cpl.
11	2	STM7254	Blindstop	Plug
12	1	STM9069	Beschermkap	Protective cap
13	1	STM7222	Doorvoertule	Grommet

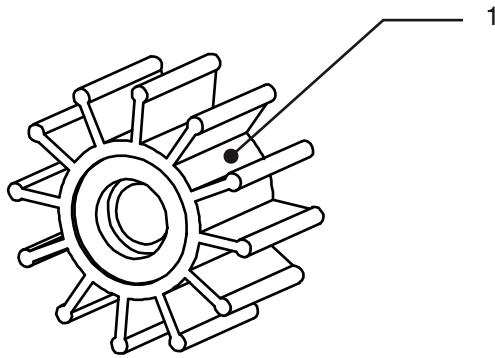


M4.55 SOLAS

Tilt kit

Tilt kit

pos.	qty	part	benaming	description
1	2	STM3057	Slangpilaar G 3/8 - 13 mm	Hose pilar G 3/8 - 13 mm
2	1	08-01117	Slang carterontluchting	Hose oil breather
3	1	08-01115	Knie G 3/8 bi G 3/8 bu	Elbow 90 deg G 3/8 male G 3/8 female
4	1	08-01116	T-stuk G 3/8 bi	T-piece G 3/8 female
5	4	STM9877	Slangklem (SLKL12)	Hose clamp (SLKL12)
6	1	08-01110	Montageplaatje kogelklep	Base plate ball valve
7	1	08-01118	Slang carterontluchting	Hose oil breather
8	1	08-01111	Kogel 13 mm RVS	Ball 13 mm SS
9	1	HS1026	Blindstop G 3/8 kunststof	Plug G 3/8 plastic
10	1	08-01113	Tilt sensor	Tilt sensor
11	1	08-01114	Vuldop beveiliging	Filling cap clamp

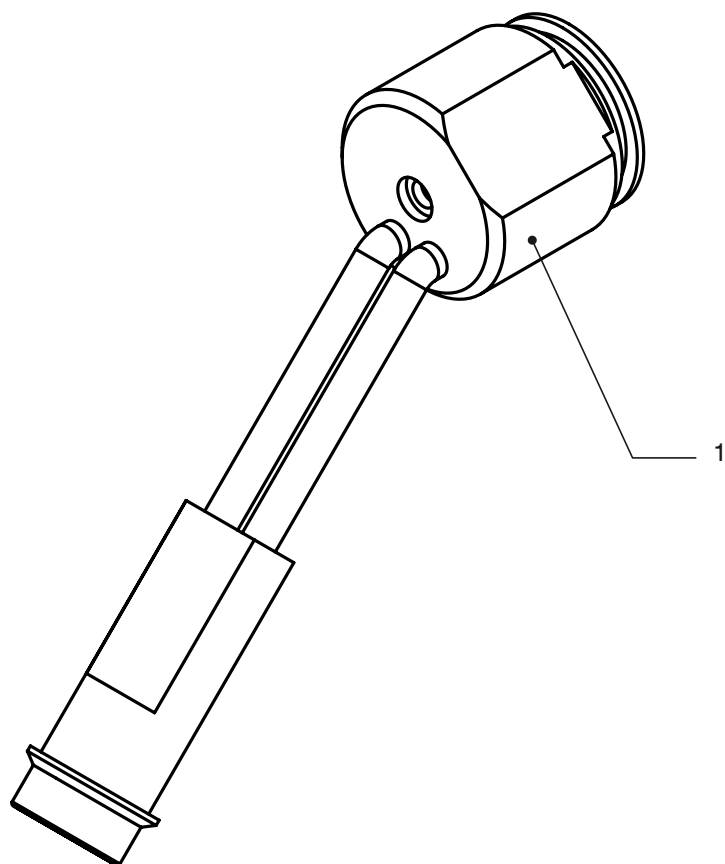


M4.55 SOLAS

Impeller interkoeling

Impeller Intercooling

pos.	qty	part	benaming	description
1	1	08-01453	Impeller (Droogloop uitvoering)	Impeller (Run Dry version)

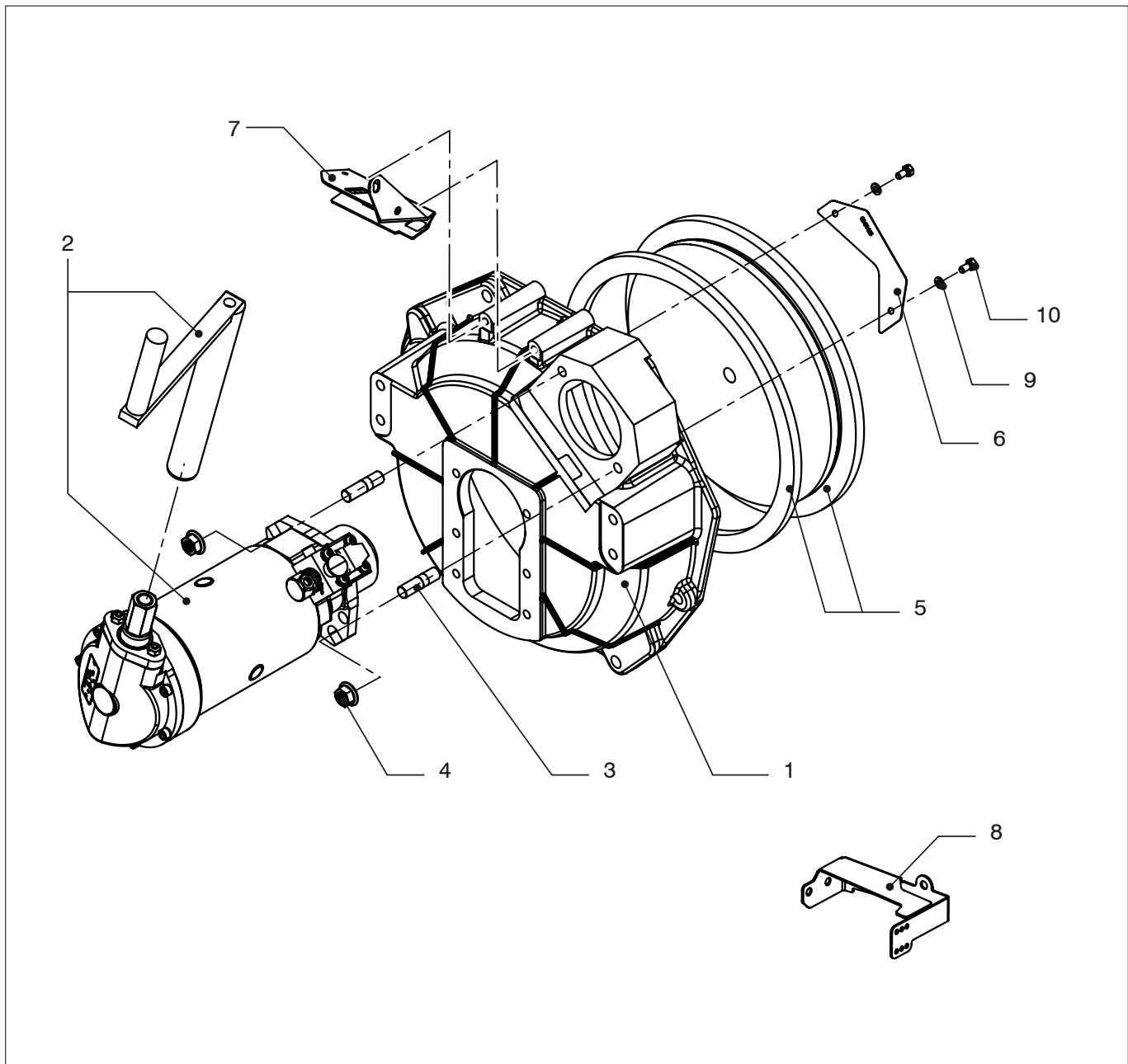


M4.55 SOLAS

Motorverwarming

Engine heater

pos.	qty	part	benaming	description
1	1	14-7579	Verwarmingselement	Heater element

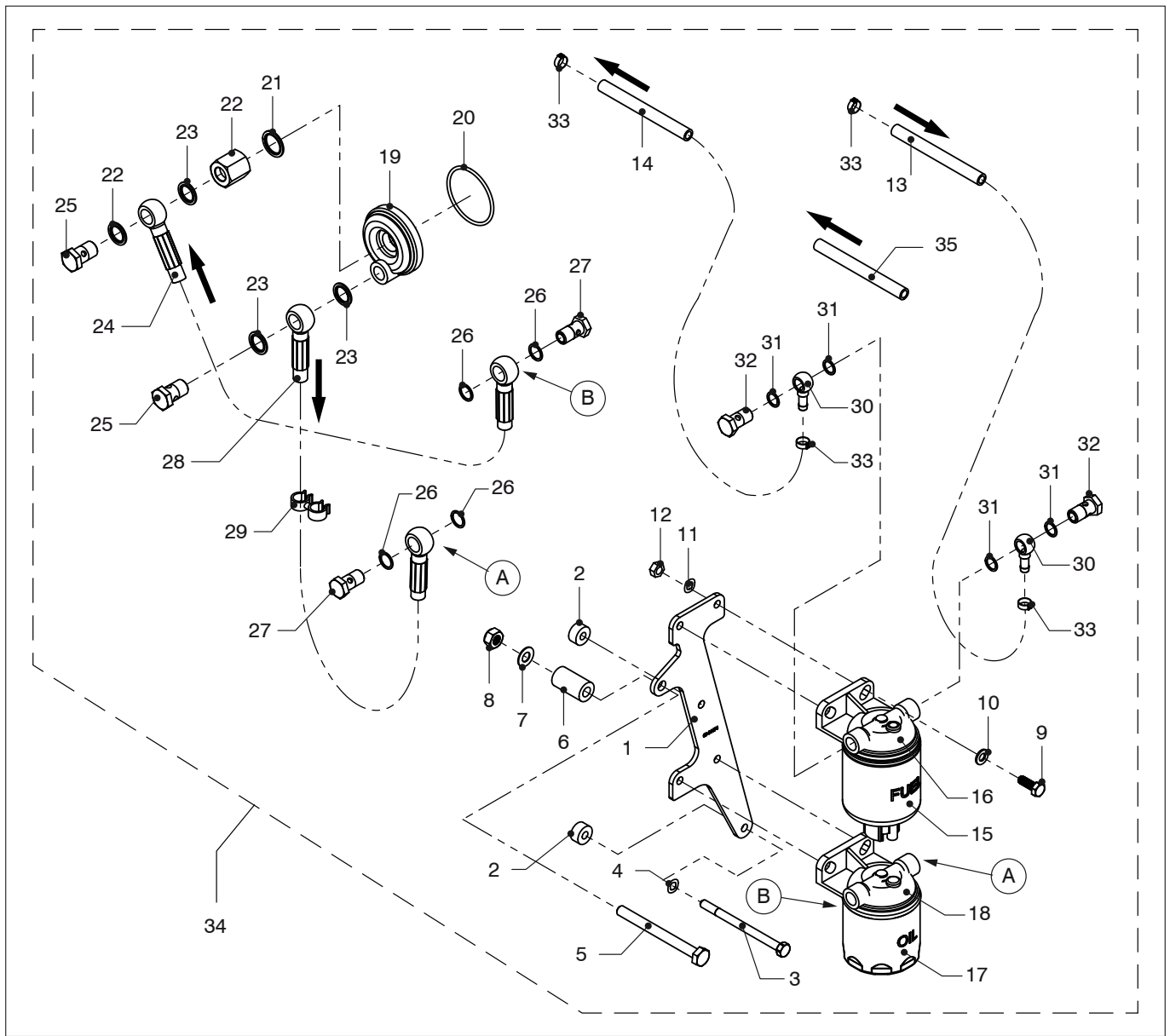


M4.55 SOLAS

Veerstarter

Spring starter

pos.	qty	part	benaming	description
1	1	14-8210	Vliegwielhuis	Flywheel housing
2	1	13-5976	Veerstarter	Spring starter
3	2	14-7890	Tapeind	Stud
4	2	14-8480	Flensmoer M12	Flanged nut M12
5	1	14-9269	Vliegwiel (14-7888 + STM7810)	Flywheel
6	1	08-01465	Afdekplaat	Cover plate
7	1	14-8359	Luchtfiltersteun	Air filter support
8	1	08-01396	Gaskabelsteun	Throttle cable support
9	2	STM1025	Gegolfde veerring M6	Wave spring washer M6
10	2	STM1019	Bout M6x12	Bolt M6x12

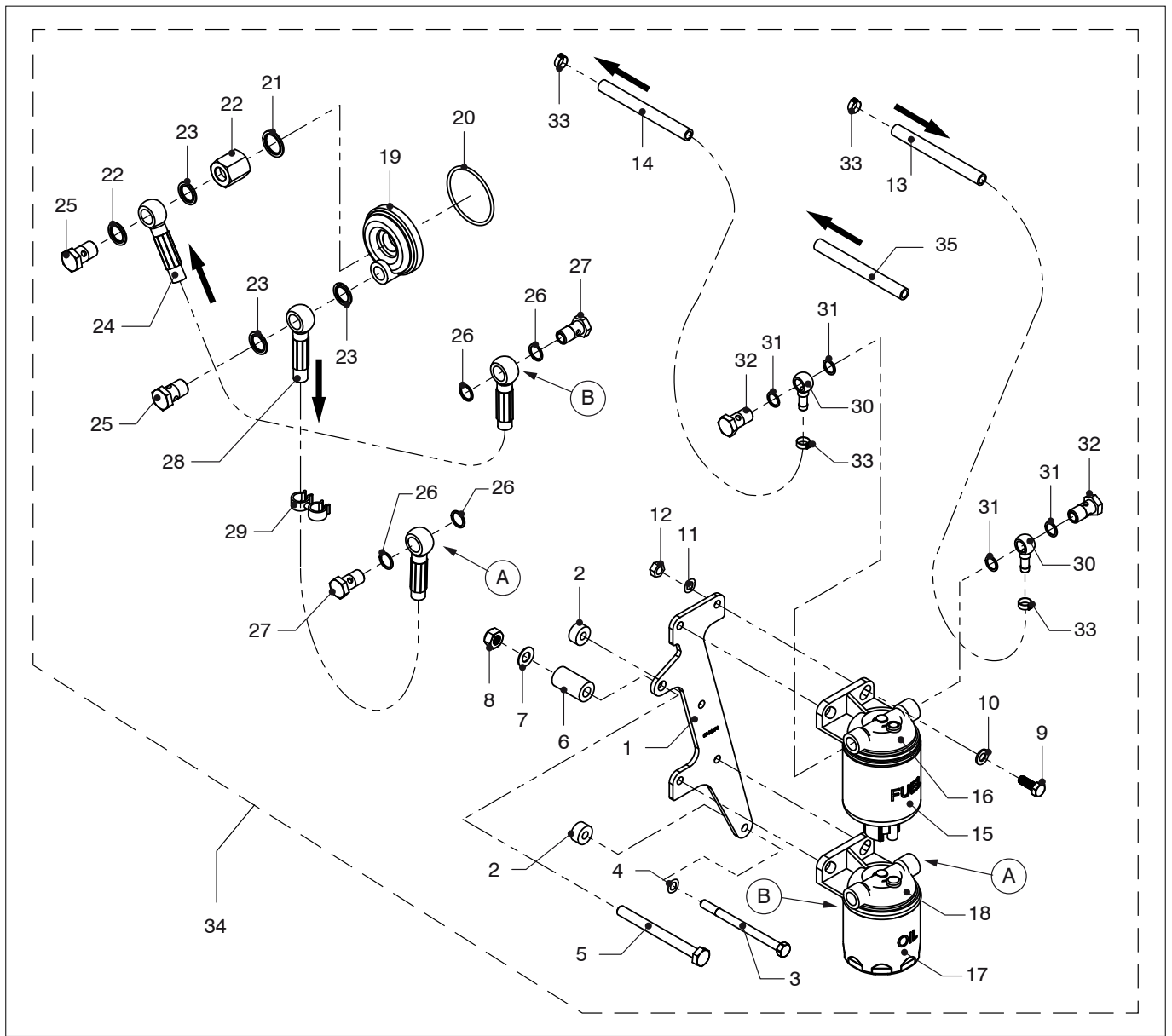


M4.55 M4.56

Separaat gemonteerd oliefilter + brandstoffilter

Oil filter + oil filter separately installed

pos.	qty	part	benaming	description
1	1	08-01474	Steun	Support
2	2	STM7646	Bus l=10	Bush l=10
3	2	STM6121	Bout M8x110	Bolt M8x110
4	2	STM1019	Veerring M8	Spring washer M8
5	1	STM9674	Bout M10x110	Bolt M10x110
6	1	08-01476	Bus l=38	Bush l=38
7	1	STM2022	Gegolfde veerring M10	Wave spring washer M10
8	1	STM4018	Moer M10	Nut M10
9	4	STM1610	Bout M8x25	Bout M8x25
10	4	STM1653	Ring 8mm	Washer 8mm
11	2	STM1056	Veerring M8	Spring washer M8
12	1	STM2005	Moer M8	Nut M8
13	1	08-01480	Slang Ø8 L= 630 mm opvoerpomp -> filter in	Hose Ø8 L= 630 mm supply pump -> filter in
14	1	08-01481	Slang Ø8 L= 255 mm filter => hoofdpomp)	Hose Ø8 L= 255 mm filter -> main pump
15	1	STM3690	Brandstoffilter M16x1,5	Fuel filter M16x1,5
16	1	STM6049	Brandstoffilterkop compleet	Filter heat fuel cpl.
17	1	STM9316	Motorolie filter M20x1,5	Engine oil filter M20x1,5
18	1	STM9905	Motoroliefilterkop compleet	Filter heat engine oil filter cpl.



M4.55 M4.56

Separaat gemonteerd oliefilter + brandstof-filter

Oil filter + oil filter separately installed

pos.	qty	part	benaming	description
19	1	STM9911	Adapter	Adaptor
20	1	STM9912	O-ring 58x3	O-ring 58x3
21	1	STM9908	Afdichtring 20mm	Seal washer 20mm
22	1	08-01404	Moer M16 -> M20	Nut M16 -> 20
23	4	STM9907	Afdichtring 16mm	Seal washer M
24	1	08-01478	Slang l=570 filter uit -> adapter in	Hose l=570 filter out -> adaptor in
25	2	STM8214	Banjo bout M16x1,5	Banjo bolt M16x1,5
26	4	STM1062	Afdichtring 14mm	Seal washer 14mm
27	2	STM3518	Banjo bout M14x1,5	Banjo bolt M14x1,5
28	1	08-01478	Slang l=450 adapter uit -> filter in	Hose l=450 adaptor out -> filter in
29	3	VD60090	Klem	Clamp
30	2	STM9262	Banjo-oog	Banjo eye
31	4	STM7056	Afdichtring M12	Seal washer M12
32	2	STM8057	Banjo bout M12x1	Banjo bolt M12x1
33	4	STM6185	Klem	Clamp
34	1	08-01479	Set compleet	Kit cpl.
35	1	08-01489	Slang Ø5 L= 450 mm hoofdpomp -> retournippel	Hose Ø5 L= 450 mm main pump -> return conn.

Register Index

art.nr. / part	pag. page	pos.	art.nr. / part	pag. page	pos.	art.nr. / part	pag. page	pos.	art.nr. / part	pag. page	pos.
08-00132	5-6	2	08-01316	5-5	1	08-01458	4-21	1	CT30059	4-7	8
08-00136	10-8	8	08-01316	5-6	1	08-01462	6-11	1	CT30059	4-9	15
08-00136	10-9	8	08-01321	3-19	1	08-01464	6-11	2	CT30059	4-11	15
08-01005	3-4	36	08-01325	2-27	6	08-01465	10-16	6	CT30059	2-27	3
08-01011	2-25	10	08-01325	2-28	6	08-01466	2-9	3	CT30059	2-28	3
08-01014	3-15	1	08-01327	2-27	4	08-01466	2-21	7	CT40029	6-8	33
08-01015	3-15	2	08-01327	2-28	4	08-01467	6-11	5	CT40029	6-10	10
08-01016	3-15	3	08-01328	2-27	5	08-01470	2-21	15	CT40029	2-26	11
08-01017	3-15	4	08-01328	2-28	5	08-01471	2-21	16	CT40083	4-18	29
08-01018	3-15	5	08-01329	2-27	1	08-01472	2-21	6	CT40131	4-17	18
08-01019	3-15	6	08-01329	2-28	1	08-01473	2-21	8	CT40133	4-17	20
08-01020	3-15	7	08-01331	2-16	2	08-01474	10-17	1	CT40133	4-14	19
08-01021	3-15	8	08-01333	4-4	1	08-01476	10-17	6	CT50079	5-4	7
08-01022	3-15	10	08-01333	4-8	21	08-01478	10-18	24	CT50079	5-6	10
08-01023	3-15	12	08-01333	4-12	22	08-01478	10-18	28	CT50080	5-5	7
08-01024	3-15	13	08-01335	4-8	22	08-01479	10-18	34	CT50081	4-22	12
08-01025	3-15	14	08-01335	4-12	29	08-01480	10-17	13	HS1026	10-13	9
08-01026	3-15	15	08-01343	3-20	1	08-01481	10-17	14	HT5148	10-11	4
08-01026	1-2	2	08-01344	3-20	3	08-01482	6-9	14	HT5151	10-11	3
08-01027	1-2	5	08-01370	2-16	1	08-01482	6-10	2	KOGELGEWR	10-7	7
08-01028	1-2	6	08-01372	3-10	9	08-01483	6-11	14	KSTEUN100	10-5	27
08-01029	1-2	7	08-01372	3-11	9	08-01484	4-4	11	KSTEUN80	2-24	9
08-01108	3-2	11	08-01373	2-16	3	08-01484	2-21	17	LNOIL12U	4-16	11
08-01110	10-13	6	08-01374	2-16	4	08-01484	2-26	13	LNTACHU	4-14	8
08-01111	10-13	8	08-01396	10-16	8	08-01485	2-26	12	LNTACHU	4-16	8
08-01113	10-13	10	08-01404	10-18	22	08-01489	10-18	35	LNTEMP12U	4-16	10
08-01114	10-13	11	08-01420	4-4	6	08-01495	2-28	9	LNVOLT12U	4-14	9
08-01115	10-13	3	08-01420	4-8	25	08-01496	2-28	10	LNVOLT12U	4-16	9
08-01116	10-13	4	08-01420	4-12	25	08-01502	3-10	13	MP22BN12A	4-14	18
08-01117	10-13	2	08-01421	3-10	1	08-01502	3-11	13	MP22BN12D	4-15	2
08-01118	10-13	7	08-01422	3-11	1	13-5976	10-16	2	MP22BS12A	4-14	18
08-01131	2-21	12	08-01423	3-10	7	14-7579	10-15	1	MP22BS12D	4-15	2
08-01141	3-4	40	08-01423	3-11	7	14-7890	10-16	3	MP34BN12A	4-17	22
08-01141	10-8	14	08-01424	3-10	5	14-8210	10-16	1	MP34BN12D	4-19	2
08-01141	10-9	14	08-01424	3-11	5	14-8359	10-16	7	MP34BS12A	4-17	22
08-01145	10-12	6	08-01425	3-16	13	14-8480	10-16	4	MP34BS12D	4-19	2
08-01146	10-12	10	08-01426	3-16	12	14-9269	10-16	5	P2295RKP	4-14	3
08-01182	3-5	6	08-01427	3-16	11	15-2520	2-29	2	P2295RKP	4-16	3
08-01182	3-8	6	08-01429	3-16	16	15-2624	2-29	1	P2295RKP	10-12	3
08-01182	3-18	2	08-01429	3-17	3	15-2976	2-29	10	P35134RKP	4-14	11
08-01277	2-27	8	08-01431	5-5	2	15-2978	2-29	8	P35134RKP	4-17	13
08-01277	2-28	8	08-01431	2-23	7	15-2992	2-29	11	P35254ZKP	4-14	15
08-01289	6-11	11	08-01432	3-16	6	16-4138	5-1	5	P35254ZKP	10-12	9
08-01292	2-27	9	08-01450	5-6	8	16-4138	5-2	5	P35254ZKP	4-17	17
08-01302	6-11	9	08-01451	5-6	9	16-4138	5-3	5	PA6488	4-14	10
08-01313	3-10	2	08-01452	3-9	5	AD14-16	4-18	27	PA6488	4-16	12
08-01313	3-11	2	08-01453	10-14	1	CT20078	10-7	9	STM0051	1-1	3
08-01316	3-16	8	08-01453	3-16	15	CT30059	4-5	8	STM0051	1-2	3

art.nr. / part	pag. page	pos.	art.nr. / part	pag. page	pos.	art.nr. / part	pag. page	pos.	art.nr. / part	pag. page	pos.
STM0051	2-12	6	STM1025	4-21	8	STM1653	4-4	9	STM2005	3-13	15
STM1006	3-2	12	STM1027	3-2	5	STM1653	4-5	7	STM2005	3-15	19
STM1017	3-2	4	STM1027	3-7	3	STM1653	4-7	7	STM2005	2-16	7
STM1019	3-13	14	STM1027	3-8	14	STM1653	3-9	8	STM2005	4-2	13
STM1019	4-1	7	STM1027	3-9	9	STM1653	4-9	14	STM2005	3-16	5
STM1019	5-1	8	STM1030	6-6	11	STM1653	6-9	7	STM2005	3-5	14
STM1019	10-1	14	STM1030	6-8	32	STM1653	4-11	14	STM2005	4-5	11
STM1019	2-16	6	STM1030	6-10	11	STM1653	10-17	10	STM2005	10-5	16
STM1019	3-2	16	STM1056	3-13	5	STM1653	3-19	5	STM2005	3-7	8
STM1019	10-2	17	STM1056	3-14	18	STM1653	2-22	9	STM2005	4-7	11
STM1019	3-16	4	STM1056	3-15	18	STM1653	2-23	9	STM2005	6-9	9
STM1019	3-3	9	STM1056	5-1	10	STM1653	2-25	17	STM2005	4-10	18
STM1019	10-3	14	STM1056	10-1	17	STM1703	10-5	18	STM2005	3-12	8
STM1019	3-4	32	STM1056	4-2	9	STM1703	10-7	4	STM2005	4-12	18
STM1019	5-4	4	STM1056	5-2	8	STM1703	4-20	4	STM2005	10-17	12
STM1019	3-5	4	STM1056	10-2	20	STM1703	4-20	4	STM2005	2-21	14
STM1019	4-5	10	STM1056	5-3	8	STM1703	4-21	4	STM2005	2-29	6
STM1019	4-5	16	STM1056	10-3	17	STM1703	4-21	4	STM2006	4-13	9
STM1019	5-5	4	STM1056	10-4	4	STM1703	4-22	4	STM2006	2-25	12
STM1019	3-6	4	STM1056	3-5	13	STM1704	10-5	19	STM2012	3-13	17
STM1019	6-6	14	STM1056	4-5	14	STM1704	10-7	6	STM2012	2-14	8
STM1019	4-7	10	STM1056	10-5	17	STM1704	4-20	5	STM2012	3-16	14
STM1019	4-7	16	STM1056	3-7	7	STM1704	4-21	5	STM2012	10-8	11
STM1019	3-8	4	STM1056	4-7	14	STM1704	4-22	5	STM2012	10-9	11
STM1019	6-9	8	STM1056	10-7	16	STM1705	10-5	20	STM2012	10-10	1
STM1019	10-16	10	STM1056	4-9	12	STM1705	10-7	3	STM2012	3-12	9
STM1019	3-10	4	STM1056	4-11	12	STM1705	4-20	14	STM2012	3-12	12
STM1019	4-10	17	STM1056	10-11	5	STM1705	4-21	14	STM2012	3-12	13
STM1019	3-11	4	STM1056	10-11	7	STM1705	4-22	6	STM2012	3-12	15
STM1019	6-11	3	STM1056	10-17	11	STM1707	10-5	21	STM2012	2-25	14
STM1019	3-12	7	STM1059	3-2	14	STM1707	10-7	5	STM2018	3-4	23
STM1019	4-12	17	STM1059	3-3	7	STM1707	4-20	13	STM2018	4-18	31
STM1019	10-17	4	STM1059	3-17	9	STM1707	4-21	13	STM2018	3-21	10
STM1019	3-18	7	STM1062	2-15	4	STM1806	10-5	22	STM2018	2-26	3
STM1019	2-20	3	STM1062	3-2	13	STM1806	4-20	11	STM2019	4-13	10
STM1019	2-21	3	STM1062	3-3	6	STM1806	4-21	11	STM2019	2-25	11
STM1019	2-21	13	STM1062	3-17	8	STM1806	4-22	1	STM2022	10-1	11
STM1019	4-21	2	STM1062	4-17	26	STM1807	10-5	23	STM2022	4-2	4
STM1019	4-22	7	STM1062	10-18	26	STM1807	10-5	24	STM2022	10-2	13
STM1019	2-29	5	STM1062	2-29	4	STM1807	4-20	10	STM2022	10-3	11
STM1024	10-1	8	STM1610	3-14	19	STM1807	4-21	10	STM2022	5-6	5
STM1024	10-2	8	STM1610	5-1	7	STM1807	4-22	2	STM2022	4-9	7
STM1024	10-3	8	STM1610	4-2	8	STM1808	4-20	12	STM2022	3-10	11
STM1024	6-8	40	STM1610	10-17	9	STM1808	4-21	12	STM2022	3-11	11
STM1024	2-26	10	STM1651	10-1	13	STM1808	4-22	3	STM2022	4-11	7
STM1025	10-1	7	STM1651	10-2	16	STM1851	10-4	15	STM2022	6-11	10
STM1025	10-2	7	STM1651	10-3	13	STM1902	4-20	17	STM2022	10-17	7
STM1025	10-3	7	STM1653	3-13	4	STM1902	4-21	17	STM2258	2-21	2
STM1025	6-6	12	STM1653	3-14	17	STM1907	4-20	16	STM2259	3-10	3
STM1025	10-16	9	STM1653	3-15	17	STM1907	4-21	16	STM2259	3-11	3
STM1025	4-20	8	STM1653	4-3	9	STM2005	3-13	6	STM2261	3-13	12

art.nr. / part	pag. page	pos.	art.nr. / part	pag. page	pos.	art.nr. / part	pag. page	pos.	art.nr. / part	pag. page	pos.
STM2261	3-16	3	STM3056	4-10	21	STM3742	2-21	5	STM4037	6-10	8
STM2261	3-6	5	STM3057	10-13	1	STM3749	4-2	10	STM4038	6-8	36
STM2492	2-2	16	STM3061	3-13	11	STM3749	4-7	15	STM4038	6-10	6
STM2507	10-2	12	STM3061	3-16	2	STM3749	4-11	16	STM4043	3-3	5
STM2507	10-8	10	STM3061	3-7	5	STM3750	3-3	3	STM4043	3-17	6
STM2507	10-9	10	STM3061	3-9	6	STM3750	3-17	4	STM4049	6-8	37
STM2508	2-2	14	STM3061	3-19	3	STM3771	3-4	33	STM4049	6-10	9
STM2510	2-1	12	STM3066	4-3	8	STM3771	5-4	1	STM4050	6-8	35
STM2511	2-2	13	STM3071	2-25	19	STM3796	3-6	7	STM4050	6-10	7
STM2525	2-11	15	STM3091	3-7	2	STM3796	6-6	3	STM4055	5-1	9
STM2526	2-10	10	STM3121	3-3	10	STM3796	6-9	3	STM4055	10-1	18
STM2526	2-19	26	STM3260	6-8	38	STM3797	3-6	6	STM4055	2-16	5
STM2527	2-10	7	STM3355	3-14	20	STM3813	5-1	2	STM4055	5-2	7
STM2528	2-10	6	STM3355	3-5	12	STM3813	5-2	2	STM4055	10-2	21
STM2532	2-9	6	STM3355	3-5	15	STM3813	5-3	2	STM4055	5-3	7
STM2537	2-1	2	STM3355	3-7	6	STM3813	10-4	5	STM4055	10-3	18
STM2569	2-4	9	STM3355	3-8	11	STM3817	6-8	30	STM4055	3-4	31
STM2574	2-5	17	STM3355	4-8	17	STM3817	6-10	5	STM4055	5-4	3
STM2579	2-9	8	STM3355	3-9	7	STM3912	2-11	24	STM4055	10-4	3
STM2580	2-7	24	STM3355	6-9	6	STM4003	5-1	4	STM4055	5-5	3
STM2583	2-7	23	STM3355	6-11	4	STM4003	5-2	4	STM4055	10-7	15
STM2588	2-6	5	STM3355	3-19	4	STM4003	5-2	11	STM4055	2-22	8
STM2589	2-6	6	STM3355	4-21	3	STM4003	5-3	4	STM4055	2-23	8
STM2589	2-18	6	STM3387	2-1	7	STM4003	5-3	12	STM4055	2-25	16
STM2591	2-9	11	STM3409	6-3	8	STM4003	5-3	14	STM4055	2-29	7
STM2603	2-6	10	STM3410	6-3	9	STM4003	10-4	7	STM4056	5-1	6
STM2672	2-12	3	STM3448	2-5	16	STM4003	10-5	28	STM4056	5-1	6
STM2672	2-18	7	STM3491	5-4	6	STM4003	10-7	10	STM4056	5-2	6
STM2682	3-1	4	STM3491	5-5	6	STM4003	6-8	31	STM4056	5-2	6
STM2682	2-18	10	STM3491	5-6	7	STM4003	6-10	4	STM4056	5-3	6
STM2683	3-1	5	STM3518	10-18	27	STM4003	2-29	9	STM4056	5-3	6
STM2718	6-2	28	STM3650	4-13	2	STM4010	2-24	5	STM4056	10-4	9
STM2740	4-13	1	STM3688	4-5	3	STM4011	2-24	8	STM4056	10-7	13
STM2742	4-13	3	STM3688	4-7	3	STM4013	6-6	7	STM4056	2-24	3
STM3005	3-13	16	STM3688	4-9	3	STM4013	3-10	12	STM4056	2-24	11
STM3005	3-16	7	STM3688	4-11	3	STM4013	3-11	12	STM4060	2-24	4
STM3005	3-5	9	STM3690	1-1	1	STM4014	3-2	20	STM4061	10-4	11
STM3005	3-6	8	STM3690	1-2	1	STM4014	3-4	26	STM4061	6-6	8
STM3005	3-7	9	STM3690	6-6	5	STM4014	4-5	4	STM4104	5-1	11
STM3005	3-7	10	STM3690	6-9	5	STM4014	4-7	4	STM4104	10-1	16
STM3005	3-8	9	STM3690	10-17	15	STM4014	4-9	4	STM4104	10-2	19
STM3005	3-8	15	STM3705	3-2	21	STM4014	4-11	4	STM4104	10-3	16
STM3005	3-9	2	STM3705	3-4	27	STM4014	3-17	13	STM4104	10-4	2
STM3005	3-19	2	STM3705	3-17	14	STM4014	4-22	8	STM4525	10-11	8
STM3005	2-20	10	STM3736	10-8	9	STM4018	10-1	12	STM4525	2-25	4
STM3005	3-20	2	STM3736	10-9	9	STM4018	10-2	14	STM4593	4-4	8
STM3005	2-21	10	STM3736	10-10	6	STM4018	10-3	12	STM4614	4-3	6
STM3005	2-22	3	STM3742	3-10	6	STM4018	5-6	6	STM4614	4-6	25
STM3005	2-23	3	STM3742	3-11	6	STM4018	6-6	9	STM4614	4-10	25
STM3012	3-4	35	STM3742	6-11	6	STM4018	10-17	8	STM4619	4-5	15
STM3056	4-6	20	STM3742	2-20	5	STM4037	6-8	34	STM4619	4-9	16

art.nr. / part	pag. page	pos.	art.nr. / part	pag. page	pos.	art.nr. / part	pag. page	pos.	art.nr. / part	pag. page	pos.
STM5007	3-13	10	STM6239	4-22	13	STM7047	4-4	3	STM7458	4-20	20
STM5007	5-4	1	STM6269	4-13	6	STM7053	5-1	3	STM7460	3-14	16
STM5017	10-4	12	STM6269	4-18	28	STM7053	5-1	5	STM7461	3-14	2
STM5180	4-22	14	STM6305	2-15	1	STM7053	5-2	3	STM7463	3-14	5
STM5800	10-4	10	STM6341	4-18	30	STM7053	5-2	5	STM7464	3-14	15
STM5801	10-4	10	STM6503	3-2	8	STM7053	5-3	3	STM7464	1-1	2
STM6000	10-7	1	STM6531	3-2	15	STM7053	5-3	5	STM7466	2-22	1
STM6001	10-7	1	STM6531	3-3	8	STM7053	4-4	10	STM7466	2-23	1
STM6005	10-7	17	STM6539	3-10	8	STM7053	10-4	6	STM7467	2-22	4
STM6006	10-7	17	STM6539	3-11	8	STM7053	10-4	8	STM7467	2-23	4
STM6032	10-7	8	STM6560	5-6	4	STM7053	10-7	12	STM7468	2-22	5
STM6049	6-6	4	STM6560	10-7	11	STM7056	6-7	16	STM7468	2-23	5
STM6049	6-9	4	STM6562	4-5	13	STM7056	6-9	11	STM7469	2-22	2
STM6049	10-17	16	STM6562	4-7	13	STM7056	10-18	31	STM7469	2-23	2
STM6050	6-6	1	STM6562	4-9	11	STM7059	5-1	7	STM7470	2-21	1
STM6050	6-9	1	STM6562	4-11	11	STM7059	5-1	7	STM7470	2-25	3
STM6108	3-2	3	STM6568	4-20	15	STM7059	4-6	17	STM7471	2-25	5
STM6113	3-2	7	STM6568	4-21	15	STM7059	6-6	13	STM7472	4-20	19
STM6115	6-6	6	STM6571	4-16	1	STM7059	4-9	13	STM7474	2-17	3
STM6116	3-9	3	STM6581	6-7	18	STM7059	4-11	13	STM7474	2-19	18
STM6116	3-12	10	STM6581	6-7	19	STM7059	3-12	6	STM7474	2-20	4
STM6116	3-12	16	STM6581	6-9	15	STM7059	2-20	2	STM7474	2-21	4
STM6121	3-2	17	STM6581	6-11	8	STM7222	10-12	13	STM7475	2-20	9
STM6121	4-5	6	STM6911	4-17	24	STM7254	10-12	11	STM7475	2-21	9
STM6121	4-7	6	STM6912	4-14	2	STM7269	3-16	10	STM7476	3-3	14
STM6121	10-17	3	STM6914	4-16	2	STM7285	3-5	5	STM7476	3-17	15
STM6126	3-13	3	STM6918	4-17	15	STM7285	3-8	5	STM7476	2-25	9
STM6126	3-14	10	STM6920	10-12	7	STM7285	3-18	4	STM7477	2-26	8
STM6126	3-15	11	STM6941	4-3	10	STM7294	4-6	27	STM7479	4-3	4
STM6127	3-13	2	STM6941	4-4	12	STM7294	4-8	27	STM7479	4-4	4
STM6127	3-14	8	STM6942	4-3	10	STM7294	4-10	27	STM7481	3-2	23
STM6127	3-15	9	STM6942	4-4	12	STM7294	4-12	27	STM7481	3-4	37
STM6162	3-14	14	STM6943	4-3	10	STM7414	2-8	4	STM7483	2-9	3
STM6168	3-14	7	STM6943	4-4	12	STM7435	2-15	6	STM7483	2-20	6
STM6168	6-11	15	STM6944	4-3	10	STM7437	4-5	1	STM7484	2-15	2
STM6169	3-14	6	STM6944	4-4	12	STM7437	4-7	1	STM7485	2-20	8
STM6170	3-14	12	STM6945	4-3	11	STM7442	2-15	3	STM7487	2-26	4
STM6171	3-14	1	STM6945	4-4	13	STM7443	2-15	5	STM7488	3-13	19
STM6172	3-14	11	STM6946	4-3	11	STM7443	2-29	3	STM7488	3-12	4
STM6173	3-14	13	STM6946	4-4	13	STM7446	3-2	10	STM7489	3-3	15
STM6180	6-6	10	STM6947	4-3	11	STM7447	6-8	39	STM7489	3-17	16
STM6185	6-7	22	STM6947	4-4	13	STM7448	3-13	9	STM7490	2-20	1
STM6185	6-9	13	STM6948	4-3	11	STM7448	3-12	2	STM7493	2-25	1
STM6185	6-10	1	STM6948	4-4	13	STM7450	2-25	10	STM7496	3-3	13
STM6185	6-11	7	STM6955	4-17	23	STM7451	2-25	2	STM7496	3-17	17
STM6185	10-18	33	STM6961	4-18	37	STM7452	3-13	18	STM7497	2-26	1
STM6186	6-7	23	STM6978	4-14	13	STM7452	3-16	9	STM7498	3-4	30
STM6186	6-11	12	STM6993	4-15	1	STM7452	3-12	3	STM7498	5-4	2
STM6198	3-4	22	STM6994	4-19	1	STM7452	2-25	13	STM7498	2-22	7
STM6198	3-21	9	STM7042	4-1	8	STM7455	2-26	9	STM7499	2-20	7
STM6238	4-22	13	STM7047	4-3	3	STM7457	2-26	2	STM7551	3-2	2

art.nr. / part	pag. page	pos.	art.nr. / part	pag. page	pos.	art.nr. / part	pag. page	pos.	art.nr. / part	pag. page	pos.
STM7552	3-2	1	STM7608	10-2	2	STM7705	2-8	8	STM7755	2-2	20
STM7553	3-3	2	STM7608	10-3	2	STM7707	2-8	11	STM7755	2-18	16
STM7553	3-17	2	STM7609	5-2	9	STM7708	2-8	12	STM7757	2-2	22
STM7555	3-2	6	STM7609	5-3	9	STM7709	2-8	13	STM7758	2-2	23
STM7559	3-6	1	STM7611	10-1	4	STM7709	2-18	12	STM7760	2-3	1
STM7560	3-6	9	STM7612	10-1	9	STM7710	3-2	19	STM7761	2-3	2
STM7560	3-7	1	STM7612	10-2	9	STM7710	3-4	25	STM7761	2-18	14
STM7560	3-8	13	STM7614	10-1	15	STM7710	2-8	14	STM7762	2-3	3
STM7560	3-9	4	STM7615	10-1	10	STM7710	3-10	10	STM7763	2-3	4
STM7561	3-12	11	STM7616	10-2	4	STM7710	3-11	10	STM7767	2-3	6
STM7562	3-12	1	STM7616	10-3	4	STM7710	3-17	12	STM7769	2-3	7
STM7564	3-12	5	STM7617	10-3	9	STM7711	2-8	2	STM7770	2-10	1
STM7565	3-7	4	STM7618	10-3	10	STM7712	2-6	1	STM7771	2-10	2
STM7566	5-1	1	STM7619	10-3	15	STM7713	2-6	2	STM7771	2-18	15
STM7566	10-11	1	STM7620	10-2	10	STM7714	2-6	3	STM7772	2-10	3
STM7567	5-2	1	STM7621	10-2	18	STM7715	2-6	4	STM7773	2-10	4
STM7567	5-3	1	STM7625	4-5	2	STM7716	2-6	7	STM7774	2-10	5
STM7567	10-4	1	STM7625	4-7	2	STM7717	2-6	8	STM7774	2-19	17
STM7567	10-7	14	STM7625	4-9	2	STM7718	2-6	9	STM7776	2-10	8
STM7570	2-24	1	STM7625	4-11	2	STM7719	2-6	11	STM7777	2-10	9
STM7571	2-24	2	STM7627	4-2	7	STM7720	2-6	12	STM7777	2-19	27
STM7572	6-8	29	STM7640	4-2	2	STM7721	2-6	14	STM7778	2-10	11
STM7572	6-10	3	STM7641	4-2	3	STM7722	2-6	15	STM7779	2-10	12
STM7576	4-20	2	STM7641	4-9	8	STM7723	2-6	16	STM7779	2-10	13
STM7577	4-20	6	STM7641	4-11	8	STM7724	2-7	17	STM7780	2-11	23
STM7577	4-21	6	STM7642	4-2	5	STM7725	2-7	18	STM7781	2-10	14
STM7580	4-18	32	STM7642	4-9	6	STM7727	2-7	20	STM7782	2-12	13
STM7581	4-18	34	STM7642	4-11	6	STM7728	2-7	21	STM7783	2-12	7
STM7582	4-18	33	STM7643	1-1	4	STM7729	2-7	22	STM7784	2-12	8
STM7584	2-24	6	STM7643	3-1	19	STM7730	2-6	13	STM7784	2-18	3
STM7586	3-4	24	STM7643	1-2	4	STM7731	2-7	19	STM7786	2-12	9
STM7586	3-21	11	STM7643	4-2	6	STM7732	2-9	1	STM7793	2-4	3
STM7593	4-20	3	STM7646	3-13	13	STM7734	2-9	4	STM7794	2-4	4
STM7594	4-20	7	STM7646	4-2	11	STM7734	2-18	13	STM7795	2-4	5
STM7594	4-21	7	STM7646	3-16	1	STM7736	2-9	5	STM7796	2-4	6
STM7595	2-24	7	STM7646	3-12	14	STM7737	2-9	7	STM7799	2-4	7
STM7595	2-24	10	STM7646	10-17	2	STM7738	2-9	9	STM7800	2-4	7
STM7598	6-7	20	STM7648	3-2	22	STM7739	2-9	10	STM7801	2-4	7
STM7599	6-7	21	STM7649	4-3	1	STM7740	2-9	2	STM7802	2-4	7
STM7599	6-11	13	STM7654	3-1	11	STM7743	2-1	3	STM7803	2-4	8
STM7601	10-1	5	STM7654	3-6	3	STM7744	2-1	4	STM7804	2-5	10
STM7601	10-2	5	STM7674	3-5	10	STM7745	2-1	5	STM7805	2-5	11
STM7602	10-3	5	STM7679	3-4	29	STM7746	2-1	6	STM7806	2-5	12
STM7603	10-1	6	STM7679	3-17	7	STM7747	2-1	8	STM7807	2-5	13
STM7603	10-2	6	STM7683	10-8	13	STM7748	2-1	9	STM7809	2-5	14
STM7603	10-3	6	STM7683	10-9	13	STM7749	2-1	10	STM7810	2-5	15
STM7604	10-2	11	STM7688	3-14	3	STM7750	2-1	11	STM7812	2-5	18
STM7605	10-1	1	STM7689	3-14	4	STM7751	2-2	15	STM7814	2-11	18
STM7606	10-2	1	STM7696	3-14	9	STM7752	2-2	17	STM7816	2-11	20
STM7606	10-3	1	STM7702	2-8	3	STM7753	2-2	18	STM7817	2-11	21
STM7607	10-1	2	STM7704	2-8	7	STM7754	2-2	19	STM7818	2-11	22

art.nr. / part	pag. page	pos.	art.nr. / part	pag. page	pos.	art.nr. / part	pag. page	pos.	art.nr. / part	pag. page	pos.
STM7820	2-17	2	STM7876	6-7	25	STM7925	6-2	32	STM8214	10-18	25
STM7820	2-19	19	STM7876	6-11	16	STM7927	6-2	34	STM8255	4-20	1
STM7821	2-19	21	STM7877	6-3	19	STM7927	2-18	9	STM8277	5-3	10
STM7823	2-17	4	STM7877	6-7	24	STM7928	6-2	35	STM8326	4-17	25
STM7825	3-2	9	STM7877	6-11	17	STM7931	4-13	4	STM8332	10-1	3
STM7825	3-2	18	STM7878	6-5	1	STM7932	4-13	5	STM8332	10-2	3
STM7825	3-3	11	STM7879	6-5	2	STM7933	4-1	4	STM8332	10-3	3
STM7825	3-17	18	STM7880	6-5	3	STM7934	4-1	5	STM8332	10-11	6
STM7825	2-19	20	STM7881	6-5	3	STM7935	4-1	6	STM8391	10-2	15
STM7826	2-12	10	STM7882	6-5	3	STM7936	4-1	3	STM8569	4-20	9
STM7827	2-12	11	STM7883	6-5	3	STM7940	2-11	16	STM8569	4-21	9
STM7828	2-12	12	STM7884	6-5	3	STM7941	2-11	17	STM8726	2-27	7
STM7829	2-12	1	STM7885	6-5	3	STM7953	2-18	11	STM8726	2-28	7
STM7831	2-12	2	STM7886	6-5	3	STM7959	2-8	5	STM8741	2-25	7
STM7832	2-12	5	STM7887	6-5	3	STM7960	2-8	6	STM8804	5-6	3
STM7834	4-13	8	STM7888	6-5	3	STM7961	2-8	9	STM9003	5-2	10
STM7844	3-1	2	STM7889	6-5	3	STM7962	2-12	4	STM9003	5-3	11
STM7845	10-8	7	STM7890	6-5	4	STM7963	2-18	2	STM9003	5-3	13
STM7846	3-1	6	STM7891	6-5	5	STM7964	2-19	25	STM9003	10-5	29
STM7846	2-18	8	STM7892	6-5	6	STM7965	2-18	1	STM9043	4-3	5
STM7847	3-1	7	STM7893	6-5	7	STM7967	4-1	2	STM9043	4-4	5
STM7848	3-1	8	STM7894	6-5	8	STM7969	6-4	2	STM9050	4-3	7
STM7849	3-1	9	STM7896	6-1	2	STM7972	6-4	5	STM9050	4-4	7
STM7850	3-1	10	STM7897	6-1	3	STM7975	6-4	8	STM9050	4-6	24
STM7852	3-1	12	STM7898	6-1	4	STM7976	6-4	9	STM9050	4-8	24
STM7853	3-1	13	STM7899	6-1	5	STM7977	6-4	10	STM9050	4-10	24
STM7854	3-1	14	STM7900	6-1	6	STM7978	6-4	11	STM9050	4-12	24
STM7855	3-1	15	STM7901	6-1	7	STM7979	6-4	12	STM9063	4-3	2
STM7855	3-6	2	STM7902	6-1	8	STM7980	6-4	13	STM9063	4-4	2
STM7855	2-19	22	STM7903	6-1	9	STM7981	6-4	14	STM9063	4-6	26
STM7856	3-1	16	STM7904	6-1	10	STM7982	6-4	15	STM9063	4-8	26
STM7856	2-19	23	STM7905	6-1	11	STM7983	6-4	16	STM9063	4-10	26
STM7857	3-1	17	STM7906	6-1	12	STM7985	6-4	17	STM9063	4-12	26
STM7861	6-3	1	STM7907	6-1	13	STM7986	6-4	18	STM9065	10-12	1
STM7861	2-18	5	STM7908	6-1	14	STM7987	6-4	19	STM9066	10-12	2
STM7862	6-3	2	STM7909	6-1	15	STM7988	6-7	26	STM9068	10-12	8
STM7862	2-18	4	STM7910	6-1	16	STM7988	6-11	18	STM9069	10-12	12
STM7863	6-3	3	STM7911	6-1	17	STM7989	6-7	27	STM9169	4-14	4
STM7864	6-3	4	STM7912	6-1	18	STM7990	6-7	28	STM9169	4-16	4
STM7865	6-3	5	STM7914	6-2	20	STM7999	4-13	7	STM9169	10-12	4
STM7866	6-3	6	STM7915	6-2	21	STM8057	6-7	17	STM9170	4-14	5
STM7867	6-3	7	STM7916	6-2	22	STM8057	6-9	12	STM9170	4-16	5
STM7868	6-3	10	STM7917	6-2	23	STM8057	10-18	32	STM9171	4-14	6
STM7869	6-3	11	STM7918	6-2	24	STM8126	3-5	3	STM9171	4-16	6
STM7870	6-3	12	STM7918	2-19	24	STM8126	3-8	3	STM9172	4-14	7
STM7871	6-3	13	STM7919	6-2	25	STM8126	3-18	6	STM9172	4-16	7
STM7872	6-3	14	STM7920	6-2	26	STM8129	4-20	18	STM9172	10-12	5
STM7873	6-3	15	STM7921	6-2	27	STM8129	4-21	18	STM9176	4-14	8
STM7874	6-3	16	STM7922	6-2	29	STM8148	3-4	34	STM9176	4-16	8
STM7875	6-3	17	STM7923	6-2	30	STM8148	5-4	5	STM9177	4-14	9
STM7876	6-3	18	STM7924	6-2	31	STM8148	5-5	5	STM9177	4-16	9

art.nr. / part	pag. page	pos.	art.nr. / part	pag. page	pos.	art.nr. / part	pag. page	pos.	art.nr. / part	pag. page	pos.
STM9178	4-16	10	STM9443	10-10	5	STM9514	3-21	12	STM9860	2-28	2
STM9179	4-16	11	STM9444	10-10	7	STM9674	10-17	5	STM9861	4-6	23
STM9180	4-14	14	STM9445	3-1	3	STM9682	4-2	12	STM9861	4-8	23
STM9181	4-17	16	STM9446	10-10	8	STM9682	3-5	2	STM9861	4-10	23
STM9186	4-14	1	STM9447	3-4	28	STM9682	3-8	2	STM9861	4-12	23
STM9188	4-14	17	STM9447	3-17	11	STM9682	3-18	5	STM9862	4-3	1
STM9188	4-17	14	STM9458	10-11	2	STM9712	2-25	6	STM9862	4-6	21
STM9215	4-14	12	STM9471	1-1	5	STM9712	2-25	18	STM9863	4-6	22
STM9215	4-17	21	STM9472	1-1	5	STM9713	2-25	8	STM9864	4-10	22
STM9262	6-7	15	STM9473	1-1	5	STM9724	6-6	2	STM9872	2-25	15
STM9262	6-9	10	STM9477	2-2	24	STM9724	6-9	2	STM9873	3-3	12
STM9262	10-18	30	STM9500	10-8	6	STM9731	4-14	16	STM9873	3-17	10
STM9292	4-2	1	STM9500	10-9	6	STM9731	4-18	35	STM9877	10-13	5
STM9292	4-9	1	STM9501	10-8	3	STM9742	4-22	11	STM9877	2-26	5
STM9292	4-11	1	STM9501	10-9	3	STM9750	4-22	10	STM9881	3-3	1
STM9316	10-17	17	STM9502	3-3	17	STM9765	4-22	9	STM9881	3-17	1
STM9317	10-4	13	STM9502	10-8	5	STM9780	3-5	17	STM9888	4-14	20
STM9318	10-4	14	STM9502	10-9	5	STM9780	3-8	16	STM9888	4-18	36
STM9318	10-6	1	STM9502	3-21	4	STM9780	3-18	3	STM9891	3-13	7
STM9319	10-5	25	STM9503	3-3	18	STM9805	4-10	28	STM9892	3-13	8
STM9320	10-5	26	STM9503	10-8	4	STM9805	4-12	28	STM9893	3-13	1
STM9320	10-7	2	STM9503	10-9	4	STM9806	4-6	28	STM9893	3-15	16
STM9322	10-6	2	STM9503	3-21	3	STM9806	4-8	28	STM9895	3-5	8
STM9323	10-6	3	STM9503	2-22	6	STM9851	3-5	1	STM9901	2-8	1
STM9324	10-6	4	STM9503	2-23	6	STM9851	3-8	1	STM9902	2-2	21
STM9325	10-6	5	STM9504	3-3	19	STM9851	3-18	1	STM9903	6-2	19
STM9326	10-6	6	STM9504	10-8	2	STM9852	3-5	7	STM9905	10-17	18
STM9327	10-6	7	STM9504	10-9	2	STM9852	3-8	7	STM9907	10-18	23
STM9328	10-6	8	STM9504	3-21	8	STM9852	3-9	1	STM9908	10-18	21
STM9329	10-6	9	STM9505	3-1	21	STM9853	3-8	8	STM9911	10-18	19
STM9330	10-6	10	STM9505	3-3	20	STM9854	4-5	9	STM9912	10-18	20
STM9333	10-6	11	STM9505	4-8	20	STM9854	4-7	9	STM9930	2-26	7
STM9334	10-6	12	STM9505	10-8	1	STM9855	4-9	9	STM9931	2-26	6
STM9335	10-6	13	STM9505	10-9	1	STM9855	4-11	9	STM9938	2-13	6
STM9336	10-6	14	STM9505	10-10	3	STM9856	4-5	12	STM9938	2-14	6
STM9337	10-6	15	STM9505	4-12	21	STM9856	4-7	12	STM9941	2-13	1
STM9338	10-6	16	STM9505	2-20	11	STM9856	4-9	10	STM9941	2-14	1
STM9440	3-1	20	STM9505	2-21	11	STM9856	4-11	10	STM9942	2-13	2
STM9440	4-6	18	STM9505	3-21	7	STM9857	1-1	4	STM9942	2-14	2
STM9440	4-8	18	STM9507	3-3	4	STM9857	1-2	4	STM9943	2-13	3
STM9440	4-10	19	STM9507	10-8	12	STM9857	4-5	5	STM9943	2-14	3
STM9440	10-10	4	STM9507	10-9	12	STM9857	4-7	5	STM9945	2-13	4
STM9440	4-12	19	STM9507	3-17	5	STM9858	1-1	4	STM9945	2-14	4
STM9441	3-1	22	STM9507	3-21	2	STM9858	1-2	4	STM9946	2-13	7
STM9441	4-6	19	STM9511	3-4	38	STM9858	4-9	5	STM9946	2-14	7
STM9441	4-8	19	STM9511	3-21	5	STM9858	4-11	5	STM9947	2-13	5
STM9441	10-9	7	STM9512	3-4	39	STM9859	3-5	11	STM9951	3-1	1
STM9441	4-10	20	STM9512	3-21	6	STM9859	3-8	10	STM9954	3-1	18
STM9441	10-10	2	STM9513	3-3	16	STM9860	3-5	16	STM9963	6-4	4
STM9441	4-12	20	STM9513	3-21	1	STM9860	3-8	12	STM9964	6-4	6
STM9442	2-14	5	STM9514	3-4	21	STM9860	2-27	2	STM9965	6-4	7

art.nr. / part	pag. page	pos.
STM9966	6-2	33
STM9967	6-1	1
STM9968	6-4	3
STM9969	6-2	36
STM9970	6-3	20
STM9972	6-4	1
STM9973	4-1	1
STM9986	2-8	10
STM9987	2-1	1
STM9988	2-3	5
STM9989	2-3	5
STM9990	2-3	5
STM9991	2-3	5
STM9992	2-4	1
STM9993	2-4	1
STM9994	2-4	1
STM9995	2-4	2
STM9996	2-4	2
STM9997	2-4	2
STM9998	2-11	19
STM9999	2-17	1
VBELTCOVERM4	2-28	11
VD60090	5-6	11
VD60090	6-11	19
VD60090	10-18	29



VETUS b.v.

FOKKERSTRAAT 571 - 3125 BD SCHIEDAM - HOLLAND
TEL.: +31 (10) 4377700 - TELEFAX: +31 (10) 4372673 - 4621286
E-MAIL: sales@vetus.nl - INTERNET: <http://www.vetus.com>