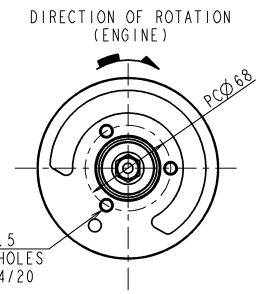
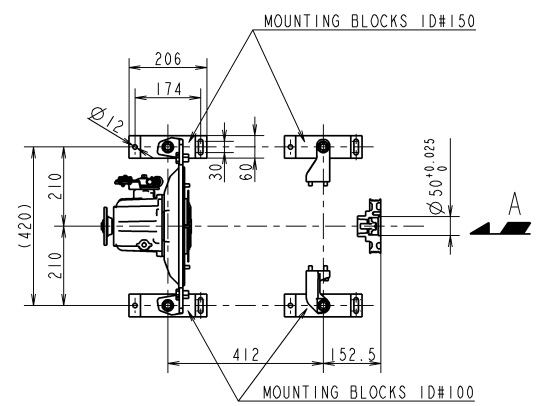
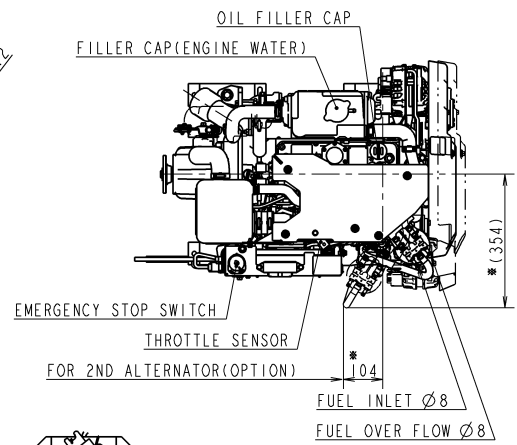
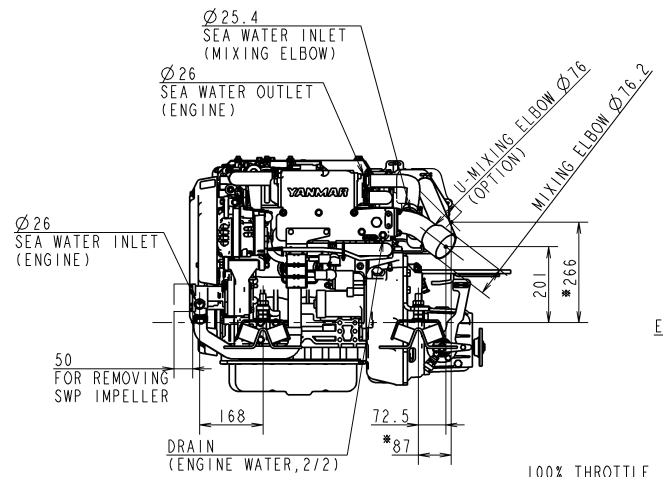
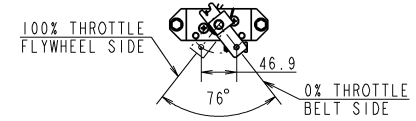


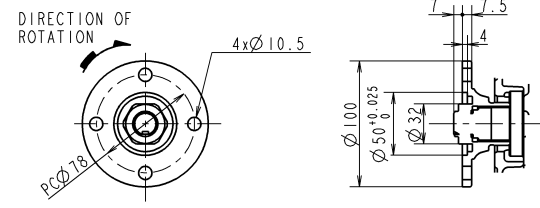
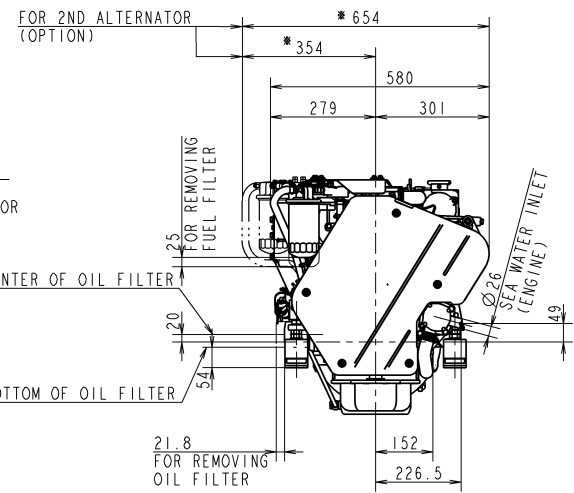
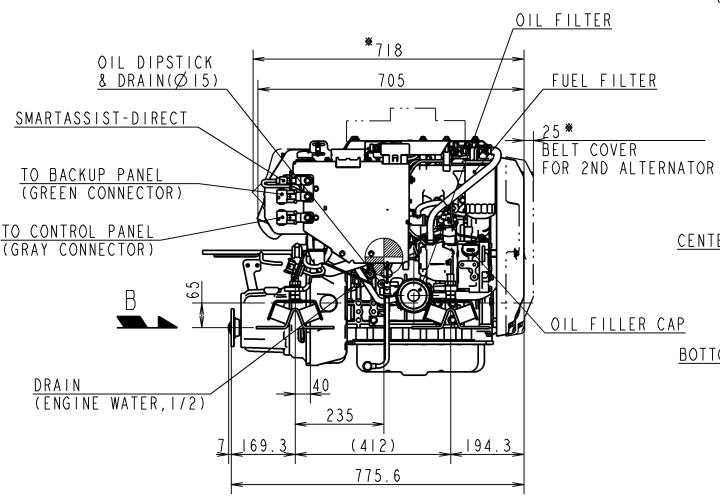
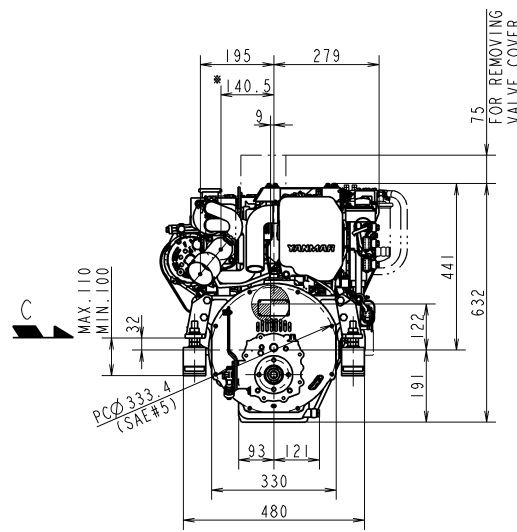
CAREER



DETAIL OF PULLEY SCALE 1:3 ARROW A



THROTTLE SENSOR SCALE 1:5



DETAIL OF FLYWHEEL SCALE 1:3 ARROW B

限定量産用 FOR LIMITED MASS PRODUCTION

MANAGER 山口

- NOTE
1. MOUNTING BLOCKS ARE COMPRESSED ABOUT 4mm BY ENGINE WEIGHT. DIMENSIONS OF MOUNTING BLOCK IN THIS DRAWING ARE WITHOUT ANY DEFORMATION.
 2. MOUNTING BLOCKS ARE EQUIPPED FOR STANDARD ACCESSORY.
 3. THE FIGURES MARKED WITH * SHOW THE DIMENSIONS WITH U-MIXING ELBOW OR OPTIONAL PARTS.
 4. ϕ SHOWS THE CENTER OF GRAVITY.

SPECIFICATIONS		
Model		3JH40
Continuous Power (ISO 8665)	kW/min ⁻¹	26.8 / 2907
Fuel Stop Power	Propeller shaft (ISO 8665) kW/min ⁻¹	---
	Crankshaft (ISO 8665) kW/min ⁻¹	29.4 / 3000
Reduction ratio		2.36 2.61 ---
Dry mass	kg	Approx. 204
Direction of Crankshaft rotation		Counter-clockwise

SEC. MANAGER 北本	MODEL 3JH40	QTY -	SCALE 1:10
CHECKED 北本	SPECIALIST	MATERIAL	
DESIGNED K.SHIGA	DATE: Y.M.D 2017.4.10	OUTLINE, 3JH40-KM35P	