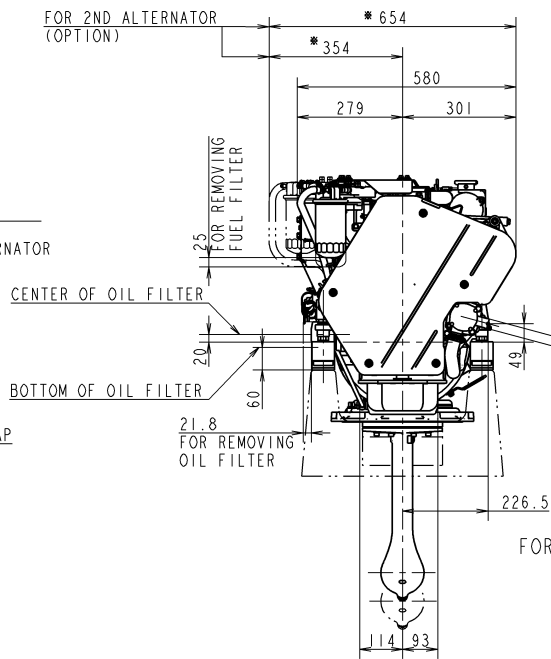
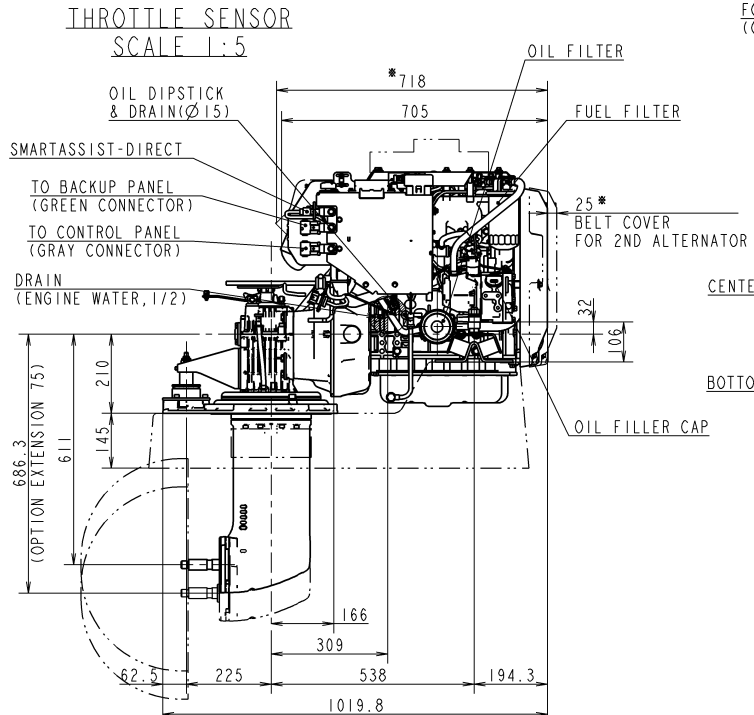
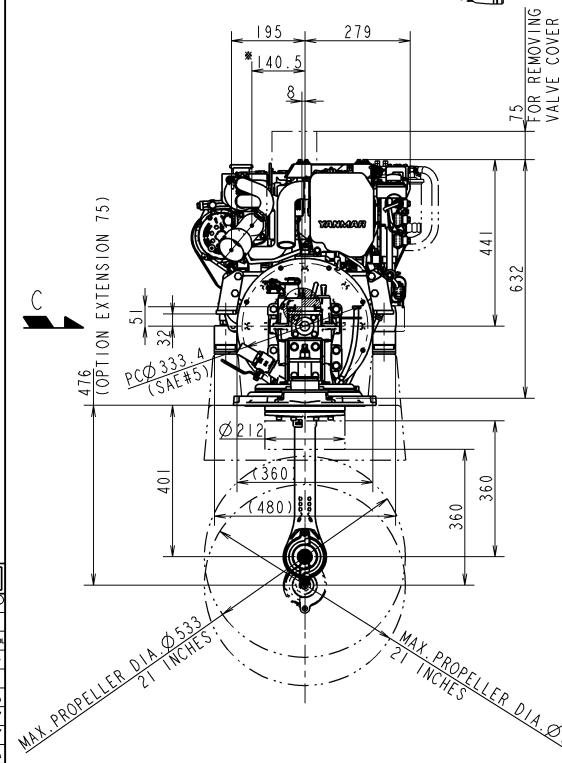
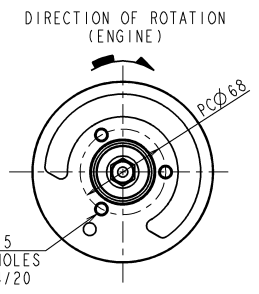
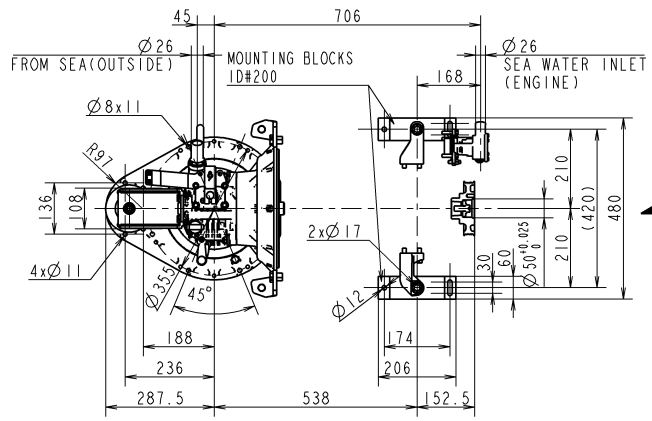
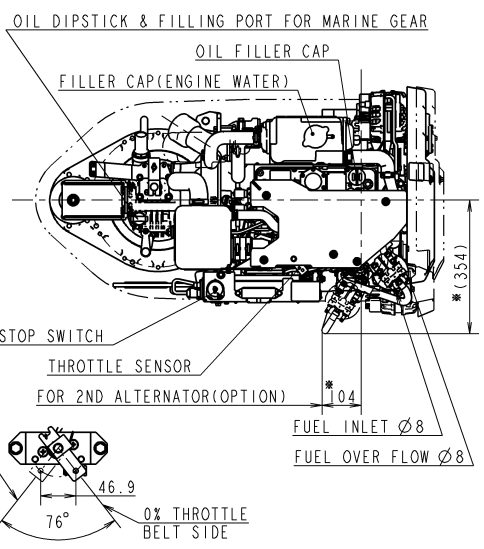
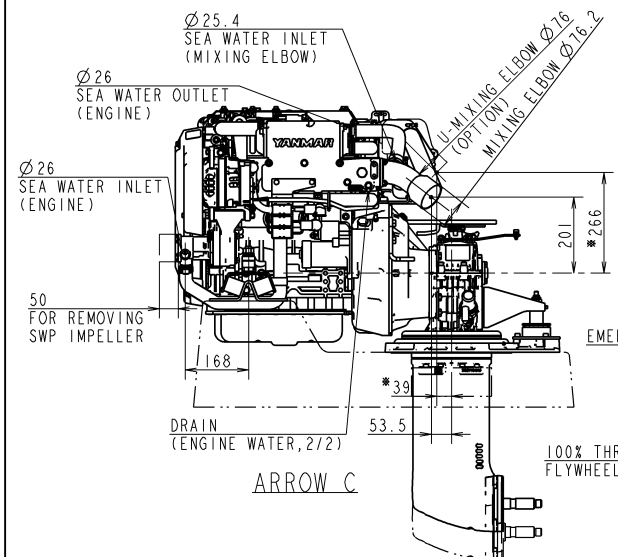


C A R E E R



DETAIL OF PULLEY SCALE 1:3 ARROW A

限定量産用 FOR LIMITED MASS PRODUCTION

NOTE
 1. MOUNTING BLOCKS ARE COMPRESSED ABOUT 4mm BY ENGINE WEIGHT. DIMENSIONS OF MOUNTING BLOCK IN THIS DRAWING ARE WITHOUT ANY DEFORMATION.
 2. MOUNTING BLOCKS ARE EQUIPPED FOR STANDARD ACCESSORY.
 3. THE FIGURES MARKED WITH * SHOW THE DIMENSIONS WITH U-MIXING ELBOW OR OPTIONAL PARTS.
 4. ○ SHOWS THE CENTER OF GRAVITY.

SPECIFICATIONS	
Model	3JH40
Continuous Power (ISO 8665)	kW/min ⁻¹ 26.8 / 2907
Fuel Stop Power	Propeller shaft (ISO 8665) kW/min ⁻¹ ---
	Crankshaft (ISO 8665) kW/min ⁻¹ 29.4 / 3000
Reduction ratio	2.23 2.49 ---
Dry mass kg	Approx. 236
Direction of Crankshaft rotation	Counter-clockwise

SEC. MANAGER 北本	CHECKED 北本	SPECIALIST	QTY -	MODEL 3JH40	SCALE 1:10
DESIGNED K.SHIGA	DRAWN F.KISHIDA	DATE: Y.M.D 2017.4.10	NAME OUTLINE, 3JH40-SD60	MATERIAL カイク"イヌ" (3JH40)-SD60	MANAGER 山口
				CODE B2-29272-0050	DRAWN SIZE A2