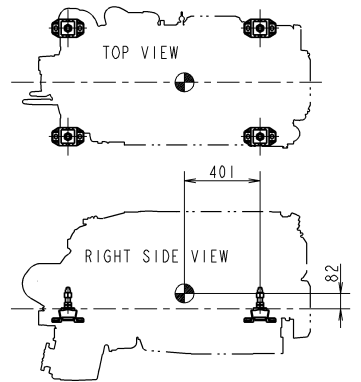
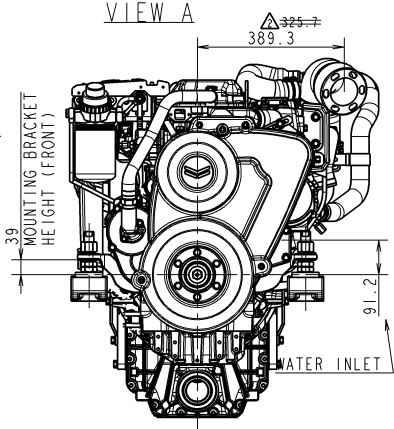
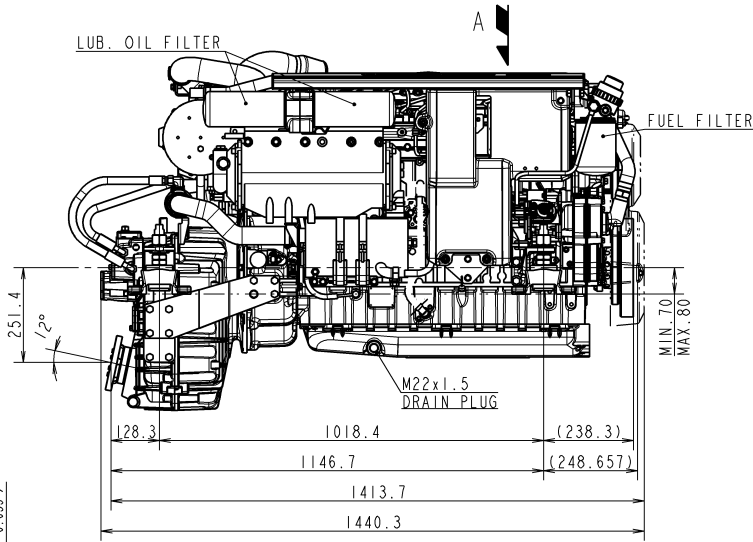
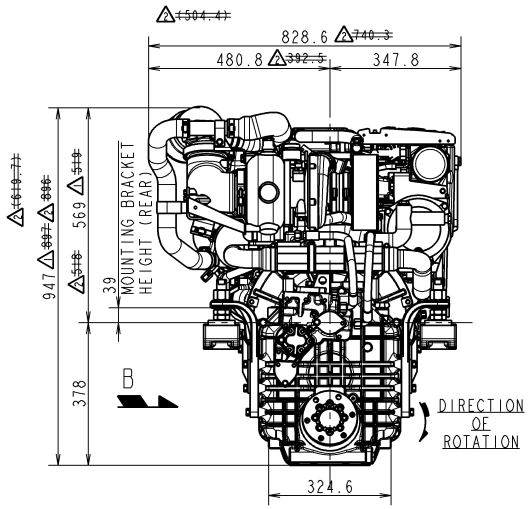
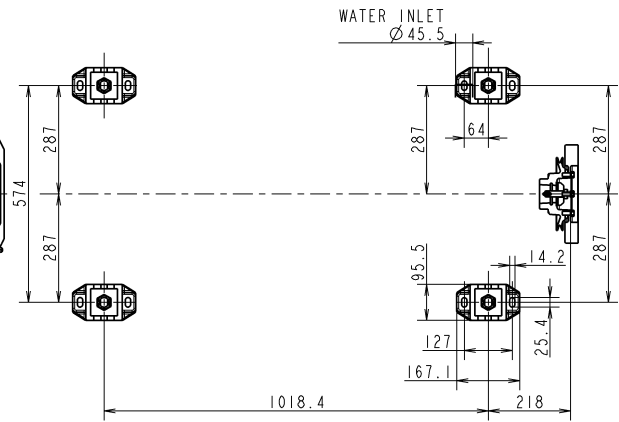
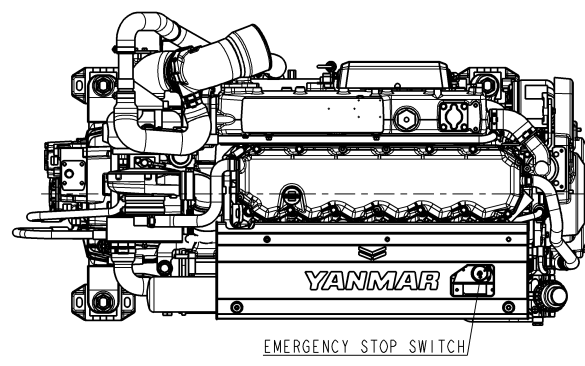
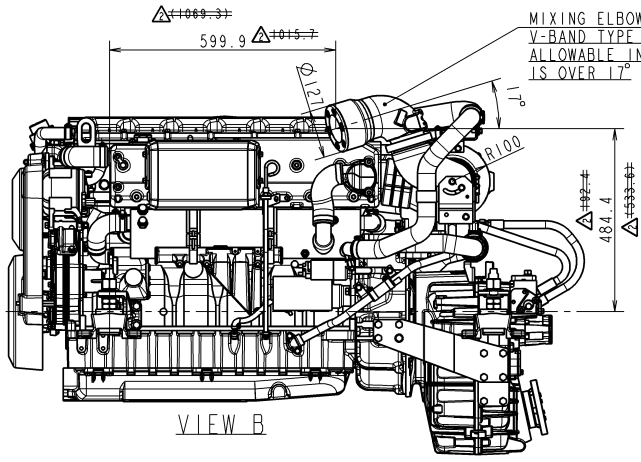
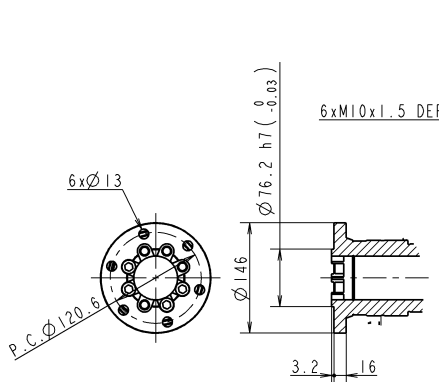


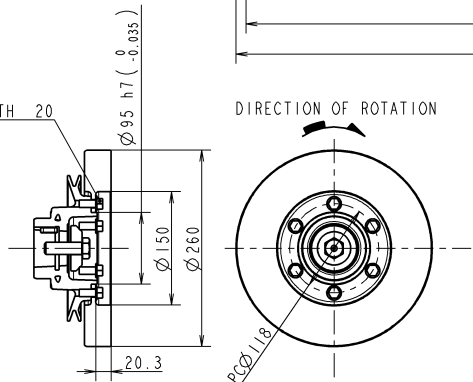
C A R E E R



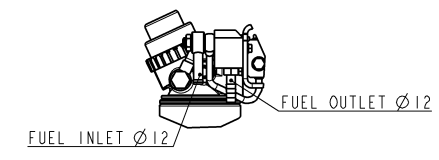
CENTER OF GRAVITY SCALE 1:20



DETAIL OF COUPLING SCALE 1:5



DETAIL OF FRONT COUPLING SCALE 1:5



DETAIL OF FUEL INLET/OUTLET SCALE 1:5

6LY440 x KMH6IV
6LY400 x KMH6IV
BARRY CONTROL MOUNT

生産用 FOR MASS PRODUCTION

MANAGER
野村

SEC. MANAGER 前谷	MODEL 6LY440 6LY400	QTY	SCALE 1:10 (1:5)
CHECKED 廣松	SPECIALIST	MATERIAL	
DESIGNED 廣松	DRAWN 大橋	DATE: Y.M.D 2015.06.15	6LY440/400 X KMH6IV
YANMAR			REV.1 REV.2
YANMAR CO., LTD. DEVELOPMENT DIV.			CODE B2-19581-0030

DRAW SIZE
A2