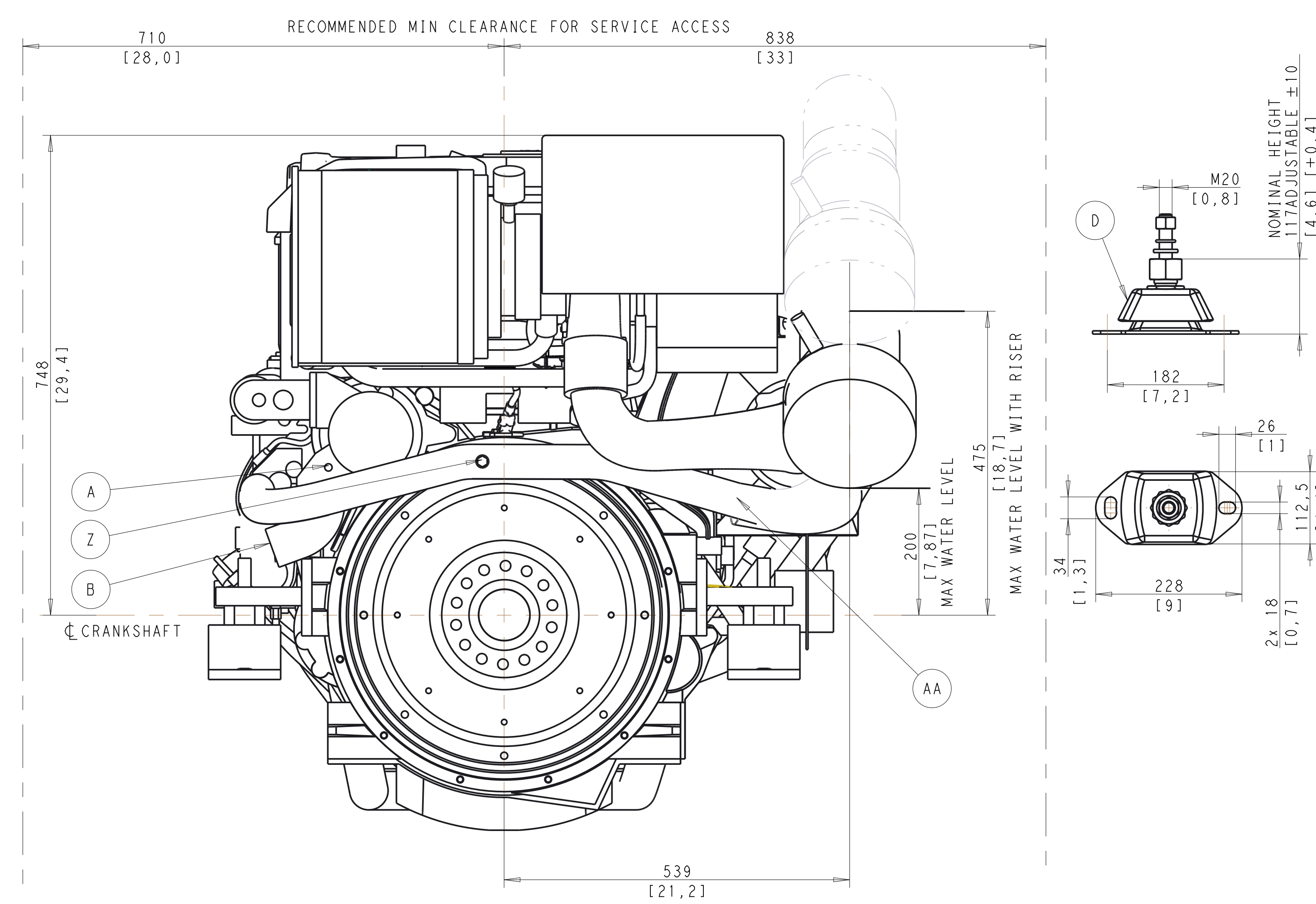
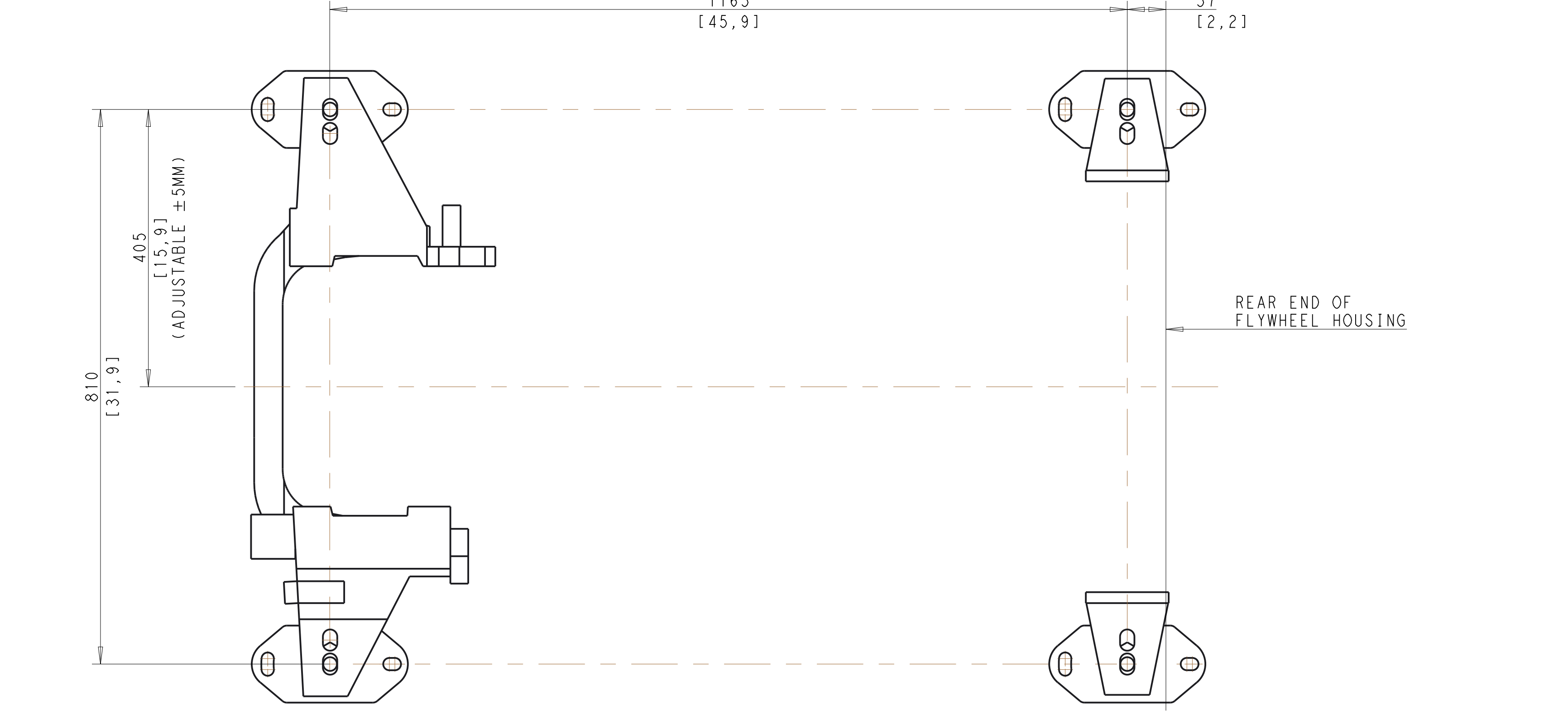
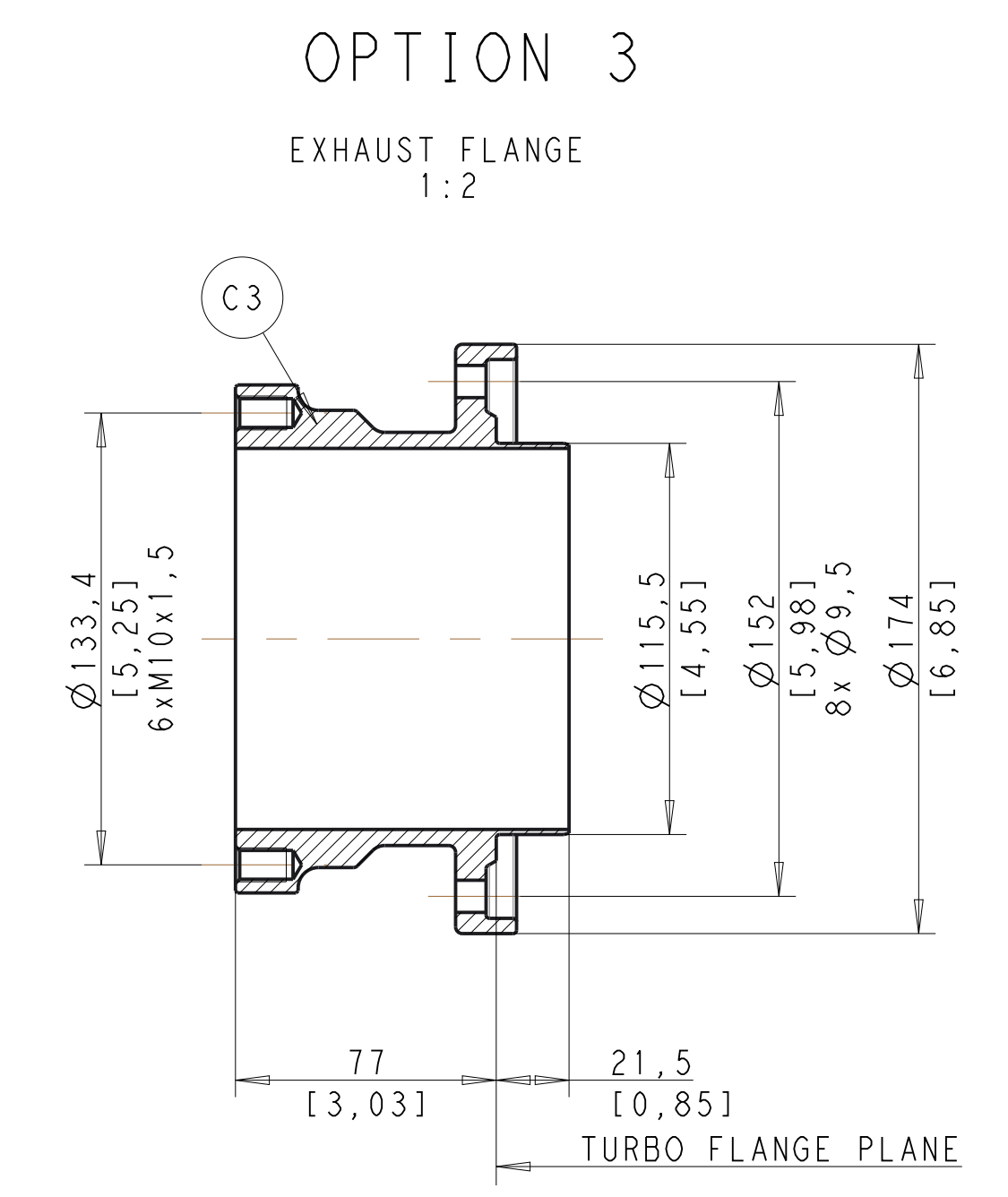
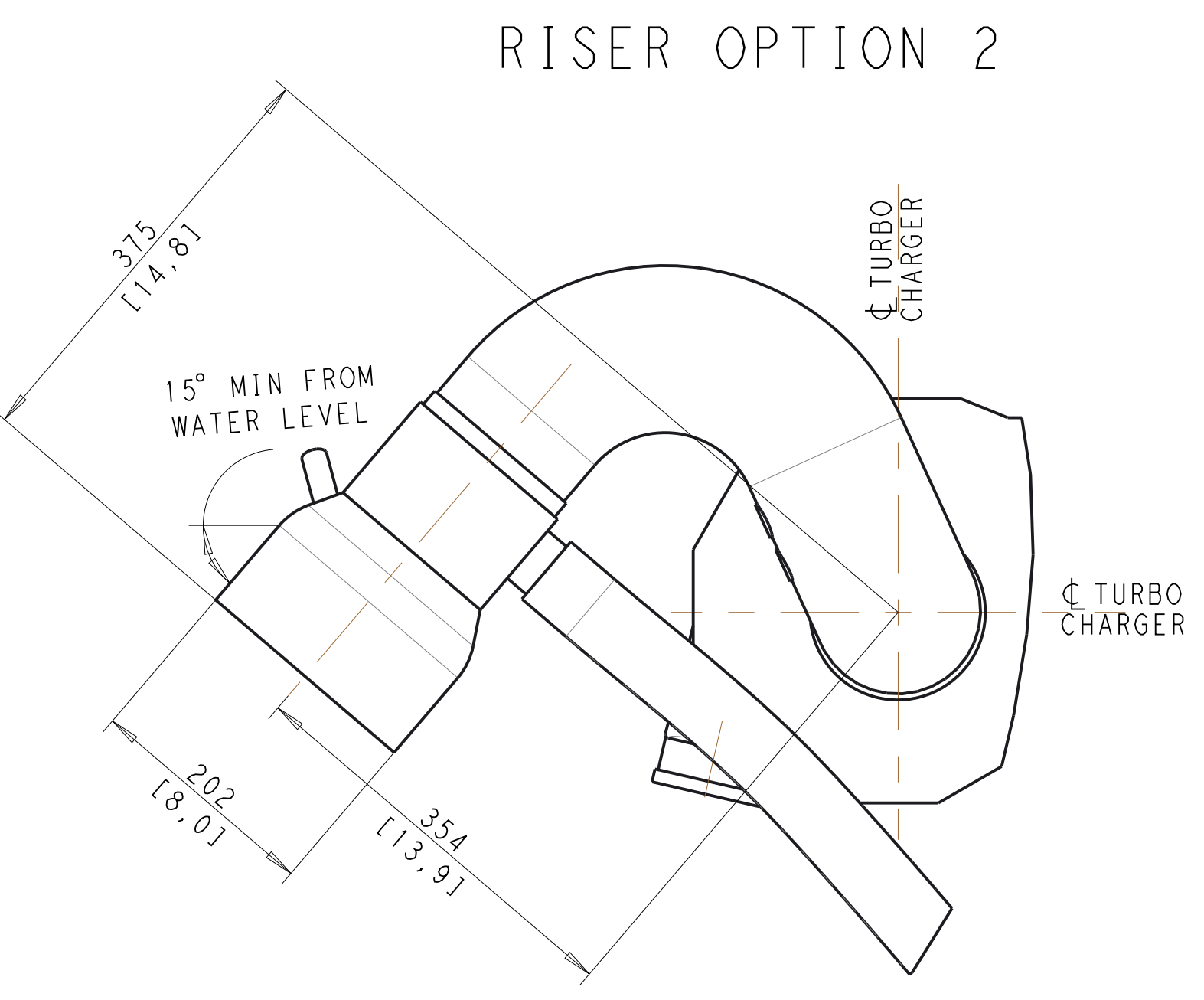
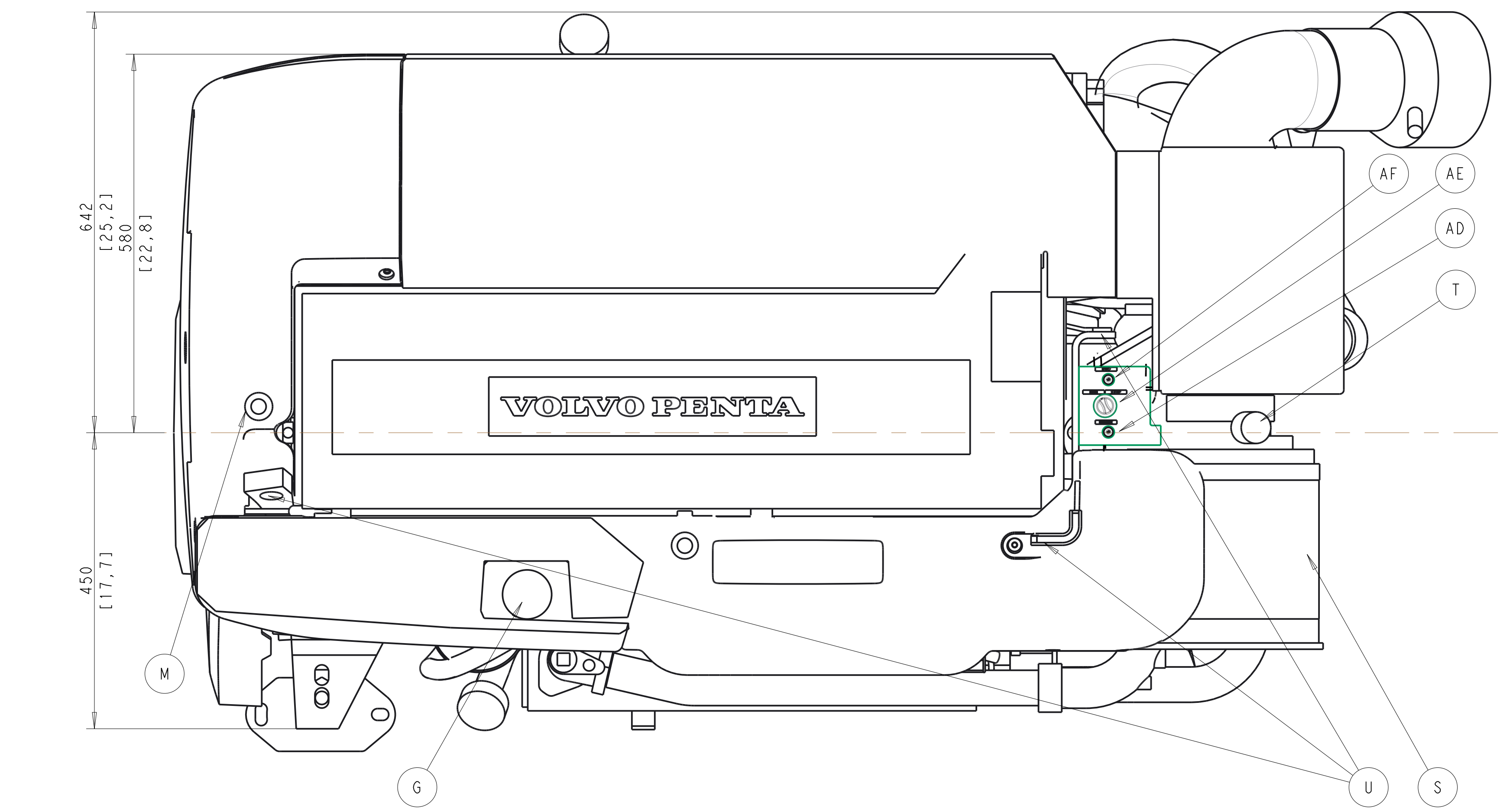


- A SEA WATER DRAIN POINT, x2
- B SEA WATER INLET, CONNECTION FOR 63 mm (2 1/2") I.D. HOSE
- C1 WET EXHAUST BEND, OPTION 1
- C2 WET EXHAUST BEND WITH RISER, OPTION 2
- C3 EXHAUST FLANGE, OPTION 3, MAX LOAD 9KG
- D FLEXIBLE SUSPENSION, STANDARD EQUIPMENT
- E1 OIL DIPSTICK AND FILLING ENGINE STARBOARD SIDE ALTERNATIVE
- E2 OIL DIPSTICK AND FILLING ENGINE PORT SIDE ALTERNATIVE
- F OUTLET FOR OIL BILGE PUMP (M18x1,5)
- G FRESH WATER FILLING (EXPANSION TANK)
- H FRESH WATER DRAIN POINT (x5)
- I OIL FILTER 2x
- J BYPASS OIL FILTER
- K FUEL FILTER
- L PRIMER PUMP
- M FUEL DEAIRATION
- N DIAGNOSE CONNECTION (6-POLE)
- P DATALINK CONNECTION (8-POLE)
- R1 CONNECTION BATTERY POS.
- R2 CONNECTION BATTERY NEG.
- S AIR FILTER
- T PRESSURE DROP INDICATOR, AIR FILTER
- U LIFTING EYE, 3x (Ø30 MIN. FRONT EYE REMOVABLE)
- V HOSE CONNECTION HOT WATER OUTLET R1/2" I.D. HOSE, OPTIONAL EQUIPMENT
- W HOSE CONNECTION HOT WATER INLET R1/2" I.D. HOSE, OPTIONAL EQUIPMENT
- X FUEL CONNECTION INLET 1/4"-18 NPTF
- Y FUEL CONNECTION OUTLET 1/4"-18 NPTF
- Z PRESSURE LUBRICATION OF PROP SHAFT (1/4-18NPSF)
- AA SEA WATER OUTLET FOR 2 1/8" I.D. HOSE (O.D. 54mm)
- AB EXTERNAL STOP CONNECTION
- AC CAN2 CONNECTION
- AD AUTOMATIC FUSE, 10A (ENGINE)
- AE STOP SWITCH
- AF AUTOMATIC FUSE, 10A (EVC)
- AG OIL INLET ON OIL COOLER (ISO-G 1/2)
- AH OIL OUTLET ON OIL COOLER (ISO-G 1/2)
- AI OIL DIPSTICK AND FILLING TRANSMISSION
- AK EMERGENCY SHIFTING



NOMINAL HEIGHT
 ±1.7 ADJUSTABLE ±1.0
 [4.6] [±0.4]

SCALE 1:5
 DIMENSIONS IN MILLIMETRE AND INCHES

SYMBOLS, DESIGNATIONS AND GENERAL DRAWING METHODS STD 101-0005

Document title
ENGINE DIMENSIONS
 D13 1000HP
 BOSTAIL

Document type
DIMENSION DRAWING

Over dimension Document practice

Document No
23026999

Issue index
04

Sheet No
 1 (11)

VOLVO PENTA