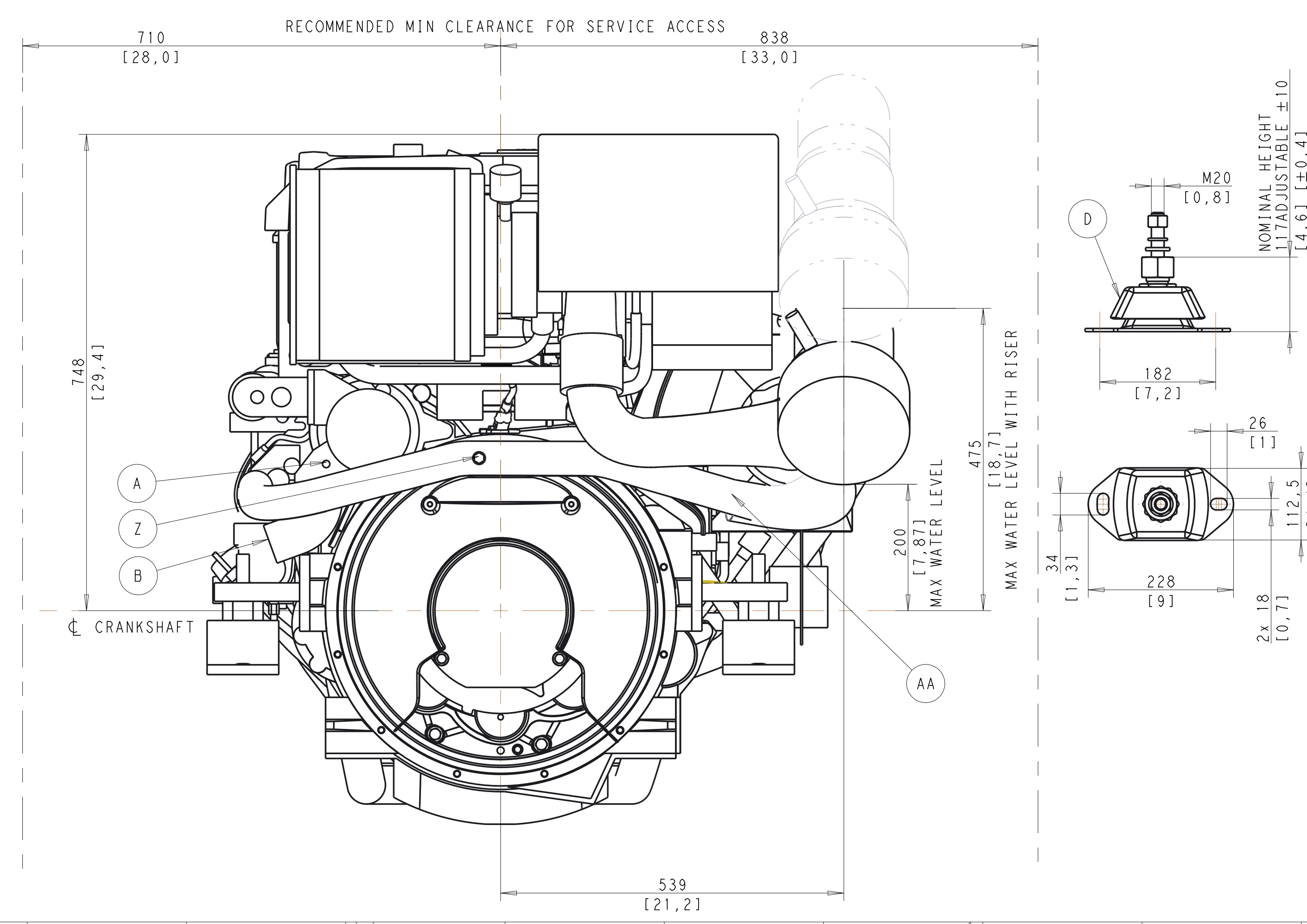
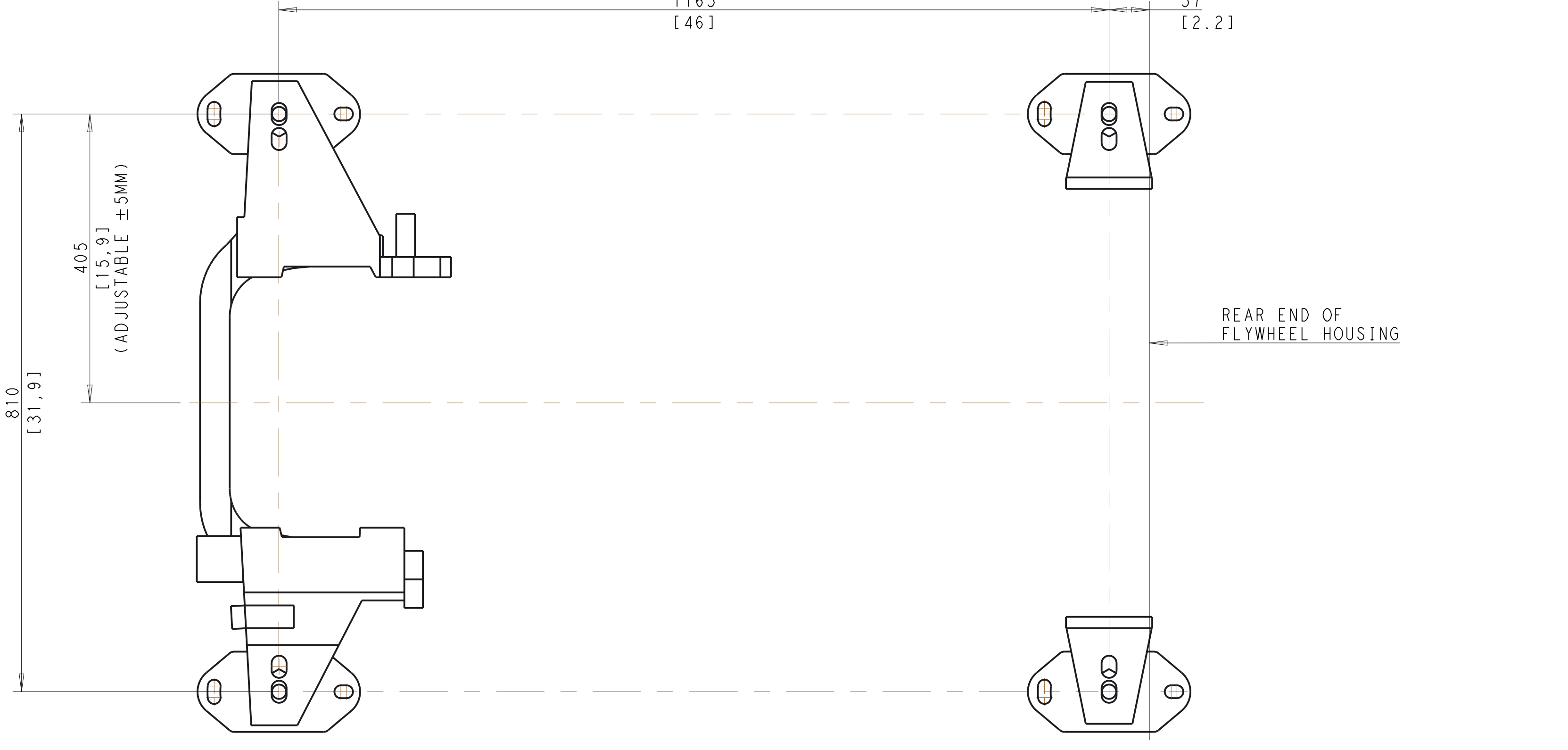
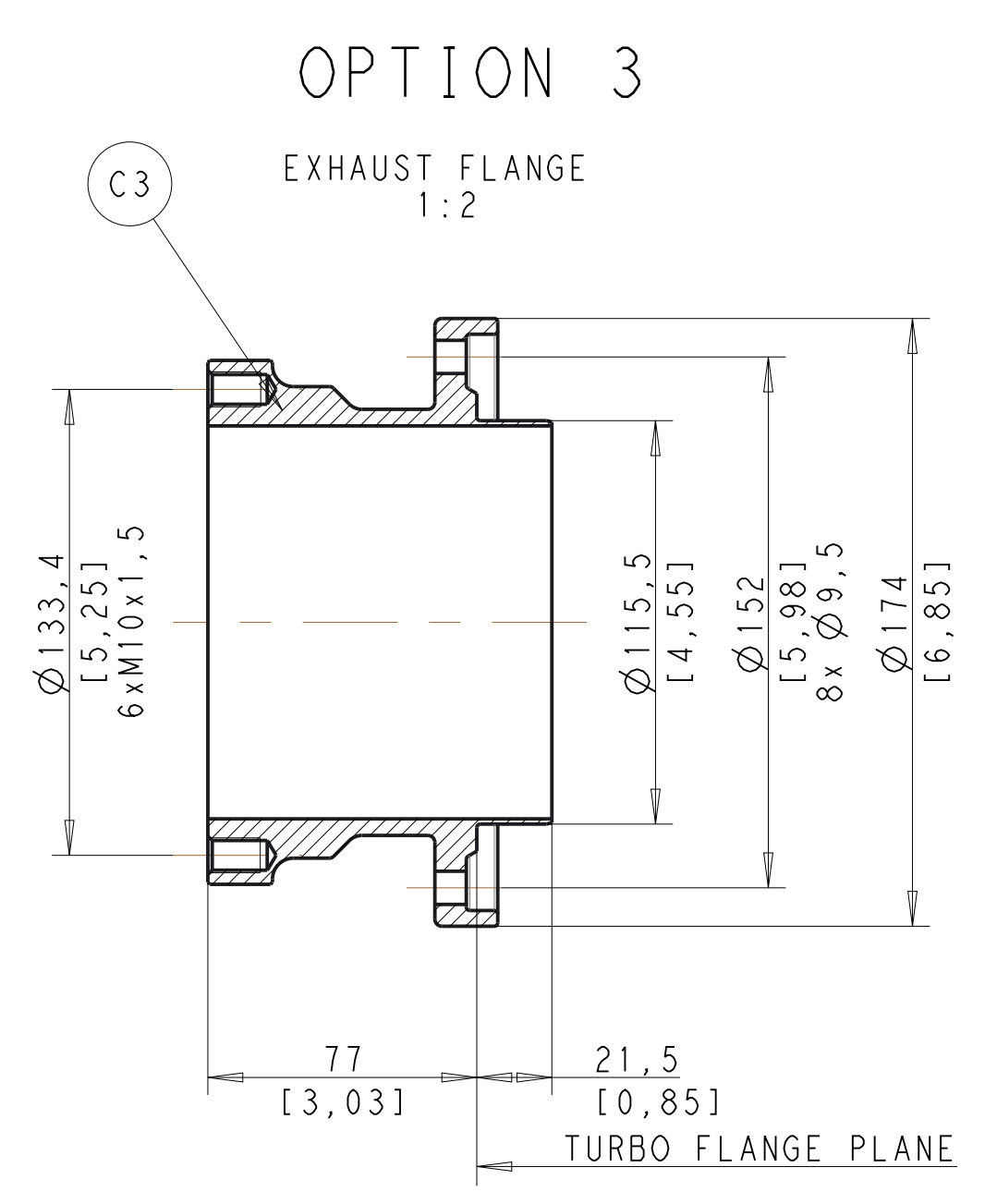
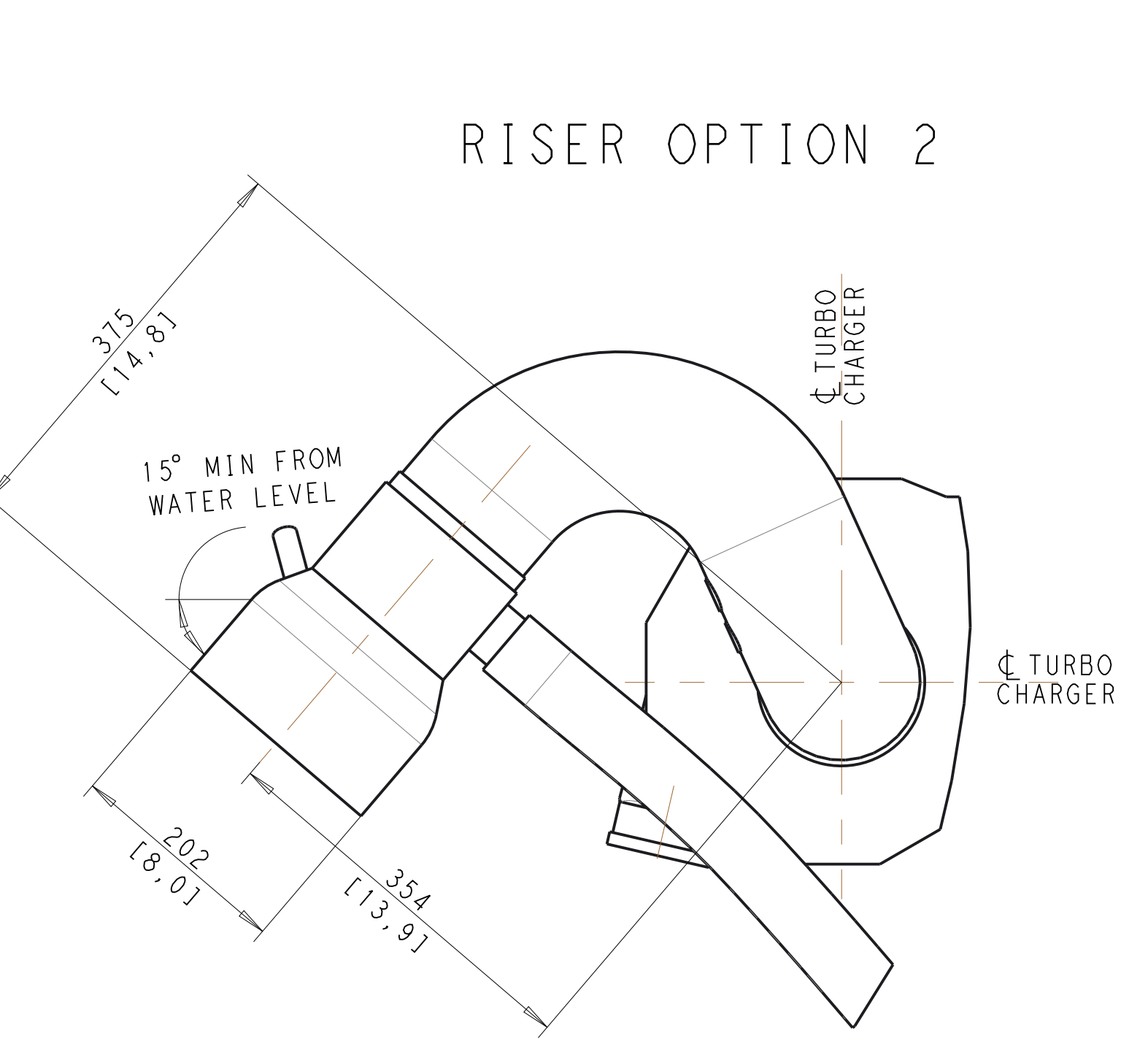
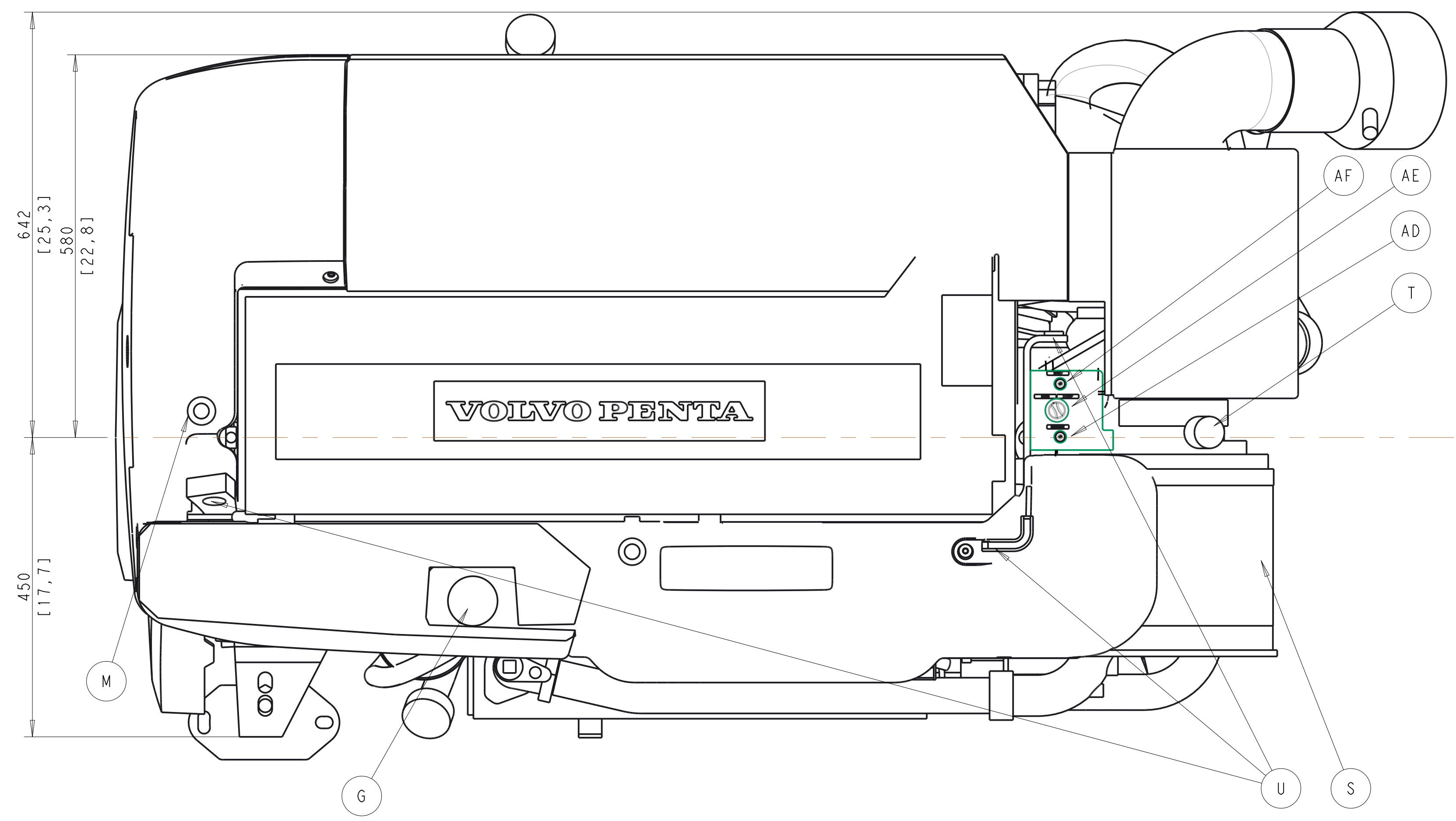


- A SEA WATER DRAIN POINT, x2
- B SEA WATER INLET, CONNECTION FOR 63 mm (2 1/2") I.D. HOSE
- C1 WET EXHAUST BEND, OPTION 1
- C2 WET EXHAUST BEND WITH RISER, OPTION 2
- C3 EXHAUST FLANGE, OPTION 3, MAX LOAD 9KG
- D FLEXIBLE SUSPENSION, STANDARD EQUIPMENT
- E1 OIL DIPSTICK AND FILLING ENGINE STARBOARD SIDE ALTERNATIVE
- E2 OIL DIPSTICK AND FILLING ENGINE PORT SIDE ALTERNATIVE
- F OUTLET FOR OIL BILGE PUMP (M18x1,5)
- G FRESH WATER FILLING (EXPANSION TANK)
- H FRESH WATER DRAIN POINT (x5)
- I OIL FILTER 2x
- J BYPASS OIL FILTER
- K FUEL FILTER
- L PRIMER PUMP
- M FUEL DEAIRATION
- N DIAGNOSE CONNECTION (6-POLE)
- P DATALINK CONNECTION (8-POLE)
- R1 CONNECTION BATTERY POS.
- R2 CONNECTION BATTERY NEG.
- S AIR FILTER
- T PRESSURE DROP INDICATOR, AIR FILTER
- U LIFTING EYE, 3x (Ø30 MIN. FRONT EYE REMOVABLE)
- V HOSE CONNECTION HOT WATER OUTLET R1/2" I.D. HOSE, OPTIONAL EQUIPMENT
- W HOSE CONNECTION HOT WATER INLET R1/2" I.D. HOSE, OPTIONAL EQUIPMENT
- X FUEL CONNECTION INLET 1/4"-18 NPTF
- Y FUEL CONNECTION OUTLET 1/4"-18 NPTF
- Z PRESSURE LUBRICATION OF PROP SHAFT (1/4-18NPSF)
- AA SEA WATER OUTLET FOR 2 1/8" I.D. HOSE (O.D. 54mm)
- AB EXTERNAL STOP CONNECTION
- AC CAN2 CONNECTION
- AD AUTOMATIC FUSE, 10A (ENGINE)
- AE STOP SWITCH
- AF AUTOMATIC FUSE, 10A (EVC)
- AG OIL INLET ON OIL COOLER (ISO-G 1/2)
- AH OIL OUTLET ON OIL COOLER (ISO-G 1/2)
- AI OIL DIPSTICK AND FILLING TRANSMISSION
- AK EMERGENCY SHIFTING



SCALE 1:5
DIMENSIONS IN MILLIMETRE AND INCHES

<p>The copying, distribution and utilization of this document as well as the completion of its contents to other persons without the prior written consent of Volvo Penta is prohibited. Offenders shall be liable for the cost of the legal action, including court and attorney's fees.</p>	SYMBOLS, DESIGNATIONS AND GENERAL DRAWING METHODS STD 101-0005	
	<p>Document title ENGINE DIMENSIONS D13C6-A MP IPS</p>	
	<p>Document type DIMENSION DRAWING Over domain Document profile</p>	
	<p>Document No 23036115</p>	<p>Issue index 04</p>

