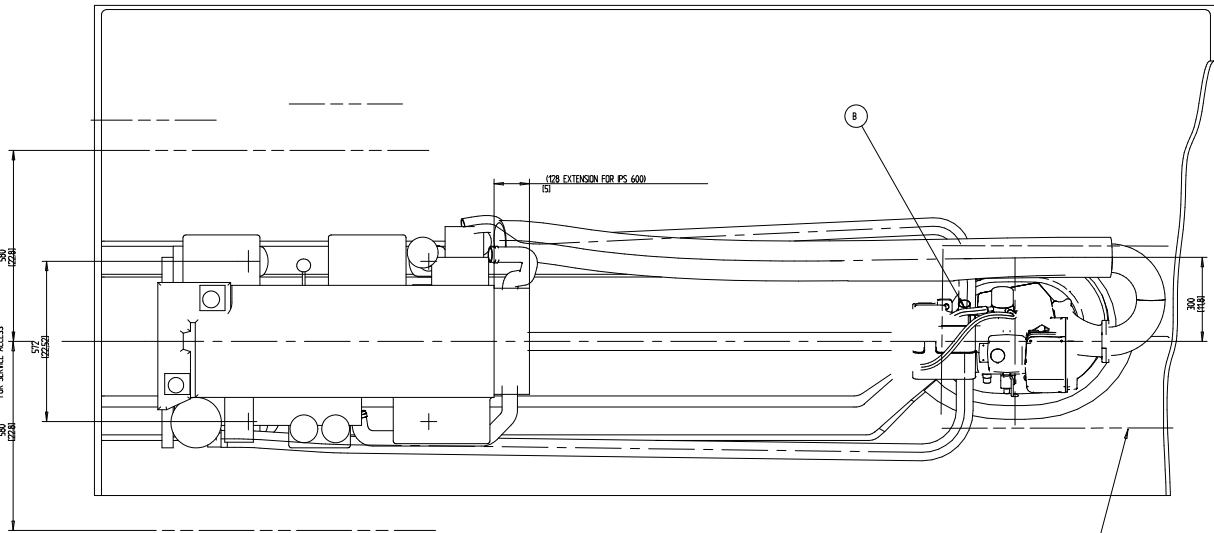
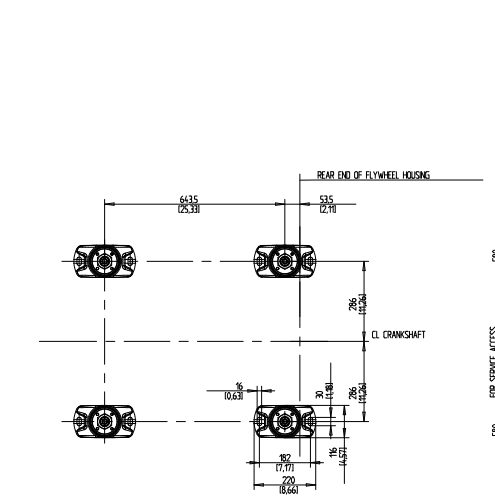


INSTALLED PARALLEL TO KEEL



- J OIL DRAIN
- H CONNECTION ELECTRICAL CONTROL
- G CONNECTION BATTERY POS. AND NEG.
- F CONNECTION OIL TEMP./PRESSURE
- E CONNECTION, SHIFTS SOLENOIDS
- D OIL EPSTEK GEAR BOX
- C OIL FILLER GEAR BOX
- B SEA WATER OUTLET, HOSE ID. 50mm
- A SEA WATER INLET, HOSE ID. 50 mm

ENGINE RELATED ITEMS SEE DWG. 3520986

A"	B	C
15	660	400
16	670	385
17	680	370
18	690	355
19	700	340
20	710	320
21	720	305
22	730	285

VOLVO PENTA
 INSTALLATION DRAWING
 PS WITH DB
 JACK SHAFT
 DIMENSION DRAWING
 3521304 06 11